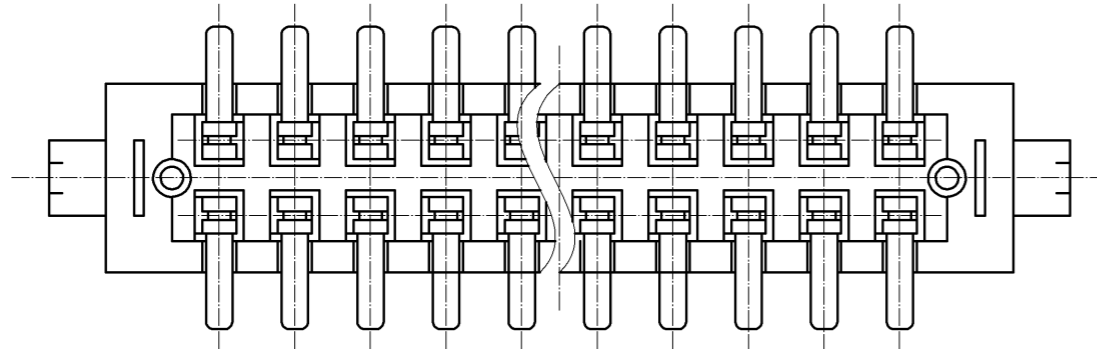
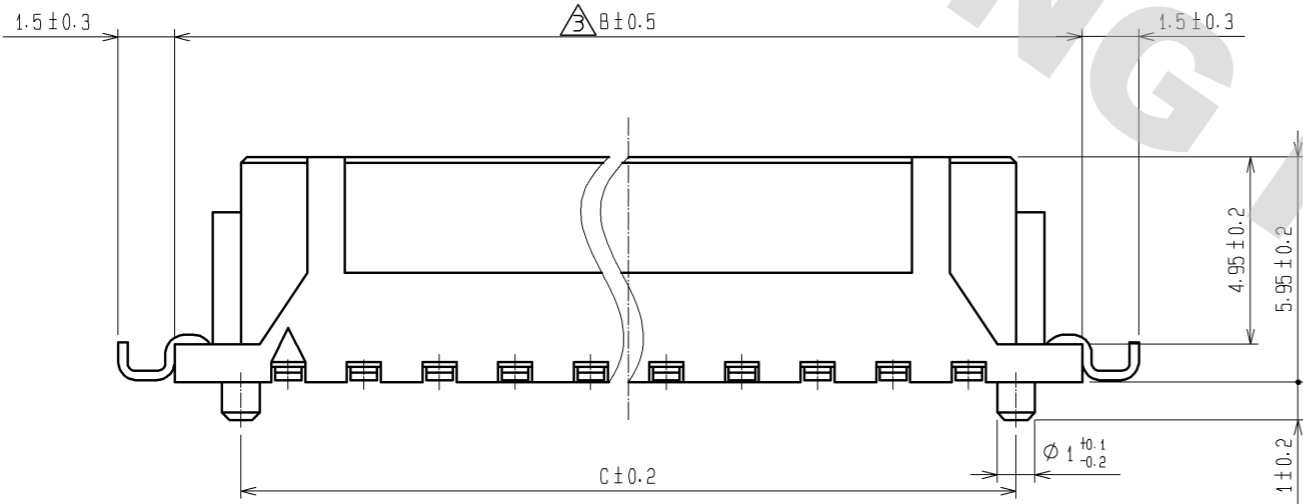
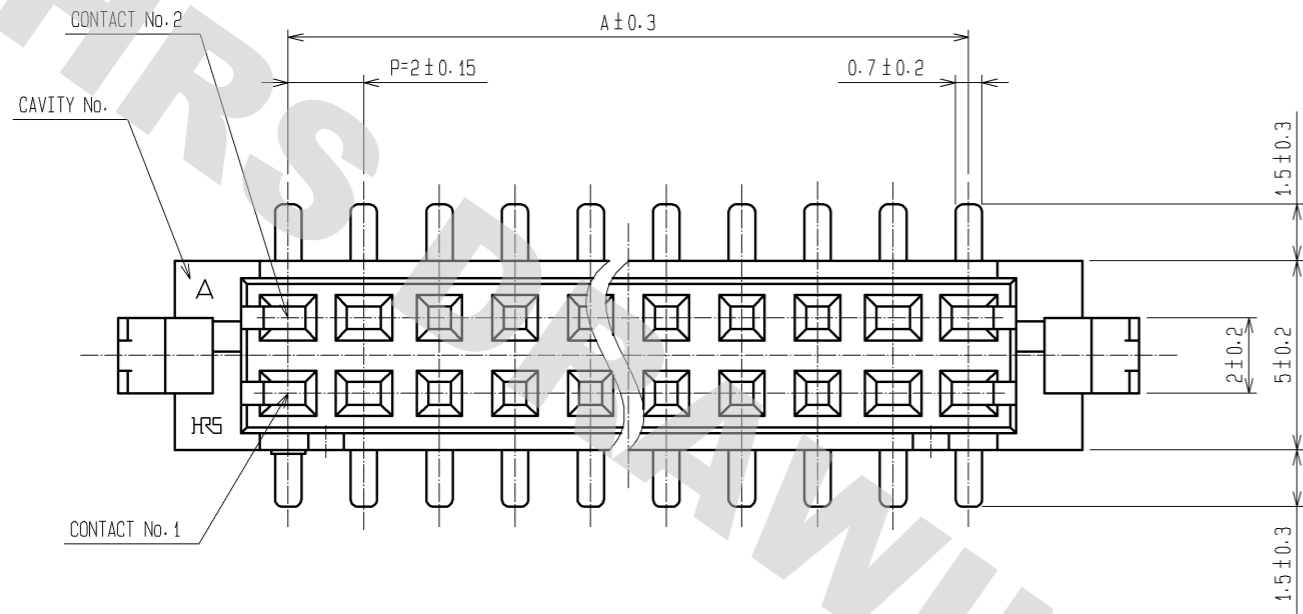
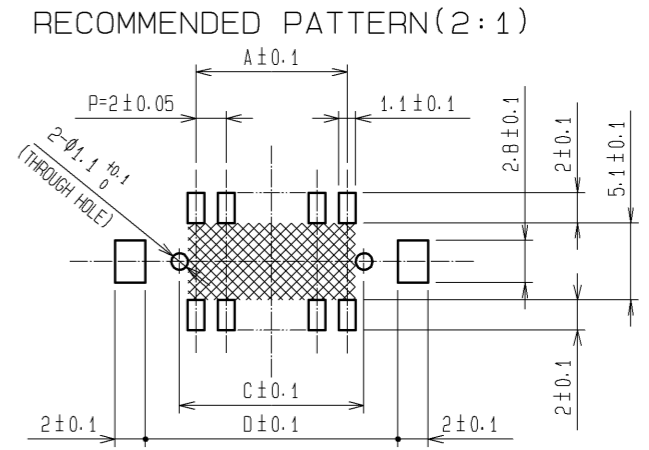
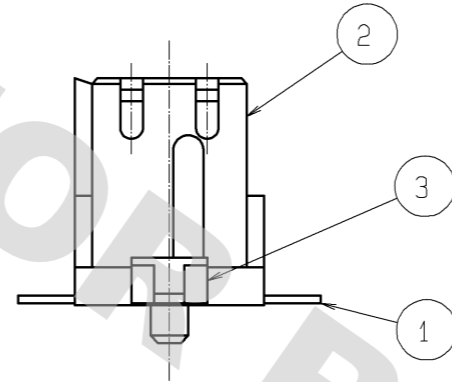


DRAWING FOR REFERENCE: This is subject to change without notice
08/11/2012



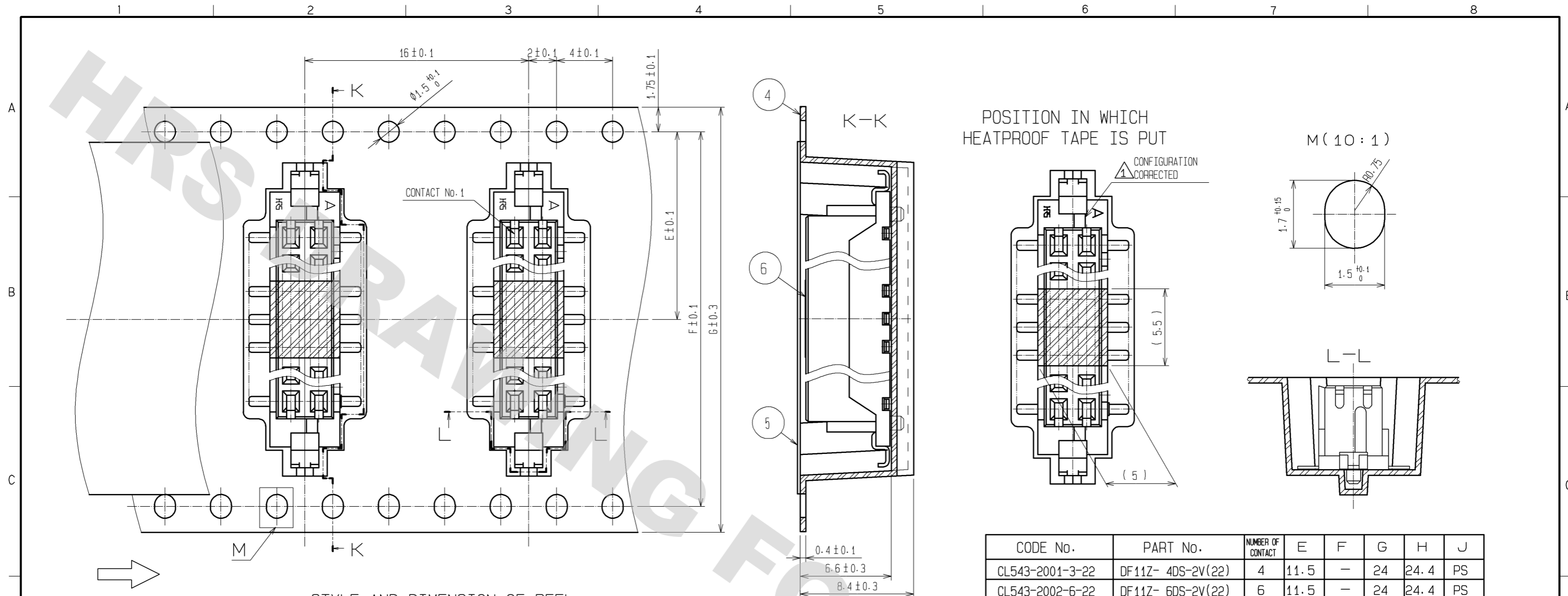
CODE No.	PART No.	NUMBER OF CONTACT	A	B	C	D
CL543-2001-3-22	DF11Z- 4DS-2V(22)	4	2.0	8.5	4.5	8.7
CL543-2002-6-22	DF11Z- 6DS-2V(22)	6	4.0	10.5	6.5	10.7
CL543-2003-9-22	DF11Z- 8DS-2V(22)	8	6.0	12.5	8.5	12.7
CL543-2004-1-22	DF11Z-10DS-2V(22)	10	8.0	14.5	10.5	14.7
CL543-2005-4-22	DF11Z-12DS-2V(22)	12	10.0	16.5	12.5	16.7
CL543-2006-7-22	DF11Z-14DS-2V(22)	14	12.0	18.5	14.5	18.7
CL543-2007-0-22	DF11Z-16DS-2V(22)	16	14.0	20.5	16.5	20.7
CL543-2008-2-22	DF11Z-18DS-2V(22)	18	16.0	22.5	18.5	22.7
CL543-2009-5-22	DF11Z-20DS-2V(22)	20	18.0	24.5	20.5	24.7
CL543-2010-4-22	DF11Z-22DS-2V(22)	22	20.0	26.5	22.5	26.7
CL543-2011-7-22	DF11Z-24DS-2V(22)	24	22.0	28.5	24.5	28.7
CL543-2012-0-22	DF11Z-26DS-2V(22)	26	24.0	30.5	26.5	30.7
CL543-2013-2-22	DF11Z-28DS-2V(22)	28	26.0	32.5	28.5	32.7
CL543-2014-5-22	DF11Z-30DS-2V(22)	30	28.0	34.5	30.5	34.7
CL543-2015-8-22	DF11Z-32DS-2V(22)	32	30.0	36.5	32.5	36.7
CL543-2016-0-22	DF11Z-40DS-2V(22)	40	38.0	44.5	40.5	44.7



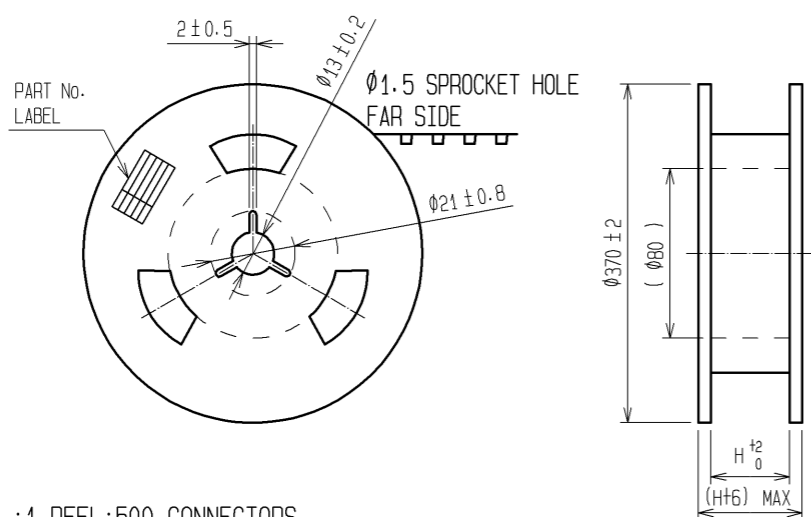
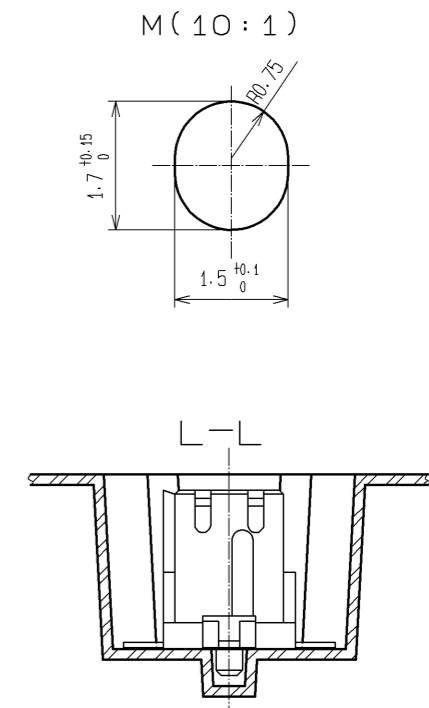
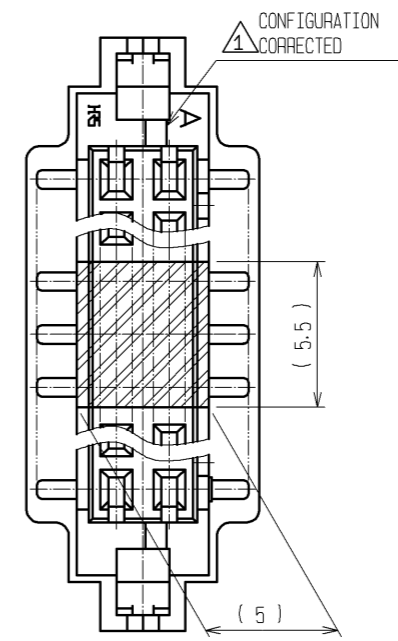
NOTES 1: IF THERE IS PATTERN ON PART, THERE IS A POSSIBILITY THAT IT WILL MAKE CONTACT WITH THE LEADS.
2: LEAD CO-PLANARITY INCLUDE REINFORCED METAL FITTINGS SHALL BE 0.1mm MAX.

3	BRASS	TIN PLATED 1µm min.	6	POLYAMIDE	BROWN(HEAT-RESISTANCE TAPE)
2	POLYAMIDE	UL94V-0, NATURAL (BEIGE)	5	POLYESTER	CLEAR(COVER TAPE)
1	PHOSPHOR BRONZE	TIN PLATED 2µm min.	4	5J	CLEAR(EMBOSSD CARRIER TAPE)
NO.	MATERIAL	FINISH . REMARKS	NO.	MATERIAL	FINISH . REMARKS
UNITS mm		SCALE 5 : 1	COUNT 1	DESCRIPTION OF REVISIONS DIS-H-003293	DESIGNED YT. MIYAMURA
APPROVED : TY. OMA 06.06.26			CHECKED TS. KUMAZAWA		
CHECED : HK. UMEHARA 06.06.07			DATE 08.11.06		
DESIGNED : NS. HIROSE 06.06.06			DRAWING NO. EDC3-306129-05		
DRAWN : AK. MIURA 06.06.02			PART NO. DF11Z- *DS-2V(22)		
HRS HIROSE ELECTRIC CO., LTD.			CODE NO. CL543		

DRAWING FOR REFERENCE: This is subject to change without notice
08/11/2012



POSITION IN WHICH HEATPROOF TAPE IS PUT



SUPPLIER
QUANTITY
PART No.
CODE No.
DATE OF MANUFACTURED

5> DETAIL OF PART No. LABEL

生産月日	年 月 日
箱番	CL543-****-* -22
品名	DF11Z-*DS-2V(22)
納入数量	500KO
納入者	ヒロセ電機株式会社

CODE No.	PART No.	NUMBER OF CONTACT	E	F	G	H	J
CL543-2001-3-22	DF11Z- 4DS-2V(22)	4	11.5	-	24	24.4	PS
CL543-2002-6-22	DF11Z- 6DS-2V(22)	6	11.5	-	24	24.4	PS
CL543-2003-9-22	DF11Z- 8DS-2V(22)	8	11.5	-	24	24.4	PS
CL543-2004-1-22	DF11Z-10DS-2V(22)	10	14.2	28.4	32	32.4	PS
CL543-2005-4-22	DF11Z-12DS-2V(22)	12	14.2	28.4	32	32.4	PS
CL543-2006-7-22	DF11Z-14DS-2V(22)	14	20.2	40.4	44	44.4	PS
CL543-2007-0-22	DF11Z-16DS-2V(22)	16	20.2	40.4	44	44.4	PS
CL543-2008-2-22	DF11Z-18DS-2V(22)	18	20.2	40.4	44	44.4	PS
CL543-2009-5-22	DF11Z-20DS-2V(22)	20	26.2	52.4	56	56.4	PS
CL543-2010-4-22	DF11Z-22DS-2V(22)	22	20.2	40.4	44	44.4	PS
CL543-2011-7-22	DF11Z-24DS-2V(22)	24	26.2	52.4	56	56.4	A-PET
CL543-2012-0-22	DF11Z-26DS-2V(22)	26	26.2	52.4	56	56.4	PS
CL543-2013-2-22	DF11Z-28DS-2V(22)	28	26.2	52.4	56	56.4	PS
CL543-2014-5-22	DF11Z-30DS-2V(22)	30	26.2	52.4	56	56.4	PS
CL543-2015-8-22	DF11Z-32DS-2V(22)	32	26.2	52.4	56	56.4	PS
CL543-2016-0-22	DF11Z-40DS-2V(22)	40	34.2	68.4	72	72.4	PS

- NOTES
- 3 : 1 REEL : 500 CONNECTORS.
 - 4 : AT THE BEGINNING OF THE REEL, 15 COMPONENTS SHALL BE EMPTY.
AT THE END OF THE REEL, 10 COMPONENTS SHALL BE EMPTY.
 - 5> : DETAIL OF PART No. LABEL IS WRITTEN IN JAPANESE.
 - 26 : THE REEL IS POLYETHYLENE PACKAGED WITH AN DRY AGENT INSIDE FOR MOISTURE-PROOF PACKAGING.
 - 27 : FOR THE STORAGE OF 168 HOURS OR MORE AFTER OPENING THE PACKAGE, KEEP THE PRODUCTS UNDER MOISTURE PROOF CONDITIONS.
 - 28 : EXCEPT ON THE MATING SURFACE, COMPONENT INFLATION DOES NOT AFFECT THE PRODUCTS PERFORMANCE.

HRS	DRAWING NO.	EDC3-306129-05
	PART NO.	DF11Z-*DS-2V(22)
	CODE NO.	CL543

2/1