

PLEASE CHECK WWW.MOLEX.COM FOR LATEST PART INFORMATION

Part Number: [0019092068](#)
Status: **Active**
Overview: [standard_093](#)
Description: 2.36mm (.093") Diameter Standard .093" Pin and Socket Plug Housing With Positive Latch, UL 94V-2, Panel Mount, 6 Circuits

Documents:

[3D Model](#) [Drawing \(PDF\)](#)
[Packaging Specification \(PDF\)](#) [RoHS Certificate of Compliance \(PDF\)](#)

Agency Certification

CSA	LR19980
TUV	R72081037
UL	E29179

General

Product Family	Crimp Housings
Series	3191
Comments	Polarized to Mating Part, With Mounting Ears
Overview	standard_093
Product Name	Standard .093"

Physical

Breakaway	No
Circuits (maximum)	6
Circuits Detail	2x3
Color - Resin	Natural
Flammability	94V-2
Gender	Dual
Glow-Wire Compliant	No
Keying to Mating Part	None
Lock to Mating Part	Yes
Material - Resin	Nylon
Number of Rows	2
Packaging Type	Bag
Panel Mount	Yes
Pitch - Mating Interface (in)	0.264 In
Pitch - Mating Interface (mm)	6.71 mm
Polarized to Mating Part	Yes
Stackable	No
Temperature Range - Operating	-40°C to +105°C

Electrical

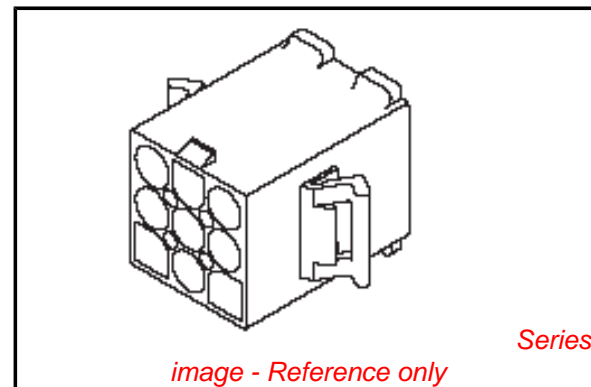
Current - Maximum per Contact	9A
-------------------------------	----

Material Info

Old Part Number	3191-6P
-----------------	---------

Reference - Drawing Numbers

Packaging Specification	PK-3191-001
Sales Drawing	SD-3191-6*



EU RoHS

ELV and RoHS Compliant
REACH SVHC Contains SVHC: No
Halogen-Free Status
Not Reviewed

China RoHS



Need more information on product environmental compliance?

Email productcompliance@molex.com
 For a multiple part number RoHS Certificate of Compliance, [click here](#)

Please visit the [Contact Us](#) section for any non-product compliance questions.

Search Parts in this Series

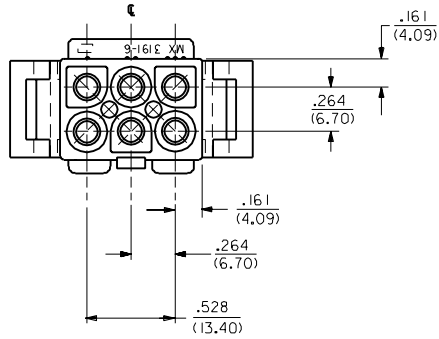
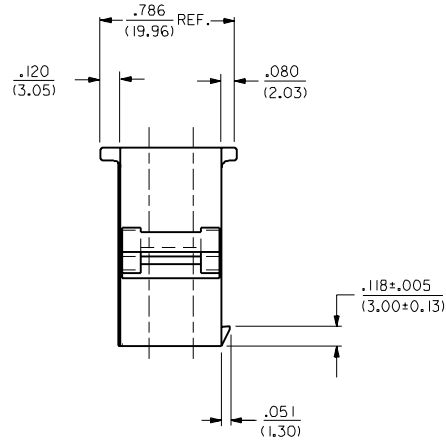
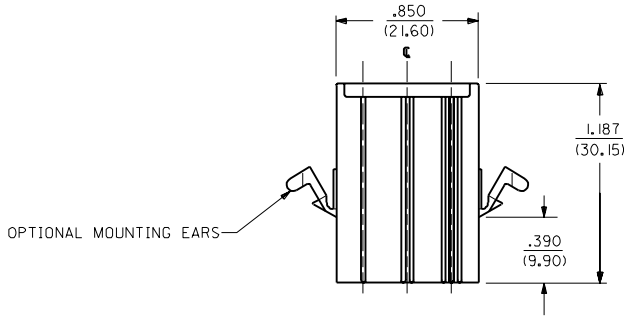
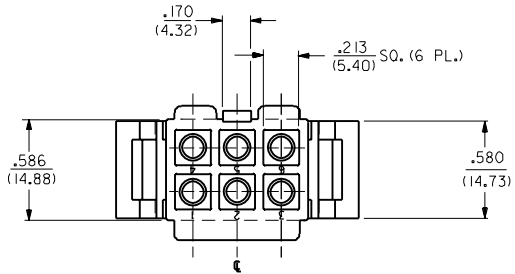
[3191Series](#)

Mates With

[3191](#) Pin and Socket Rectacle, [5219](#) Vertical PCB Header

Use With

[1189](#) Crimp Terminals, [1190](#) Crimp Terminals, [1380](#) Male Crimp Terminals, [1381](#) Female Crimp Terminals, [1433](#) Crimp Terminals, [1434](#) Male Crimp Terminals, [2605](#) , [2606](#) , [1973](#) , [2151](#) , [2273](#) , [2870](#) , [2871](#) , [4272](#) , Lin



PLUG

MI	ADD RAMP LENGTH ECN #U4 0293 3-1-94 RW
M	REVISED PER ECR # U90659 KBW 07-25-89 RW
L	ADDED STANDOFFS PER ECR UB 2271 GEP 11-30-88 RW
K	REV. & FINAL REL. ECR UB 1710 GEP 7-14-88 RW
J	REVISED & REDRAWN PER ECR UB 0122 2-2-88 SCHAFFER
MFG.	SH. REV. LTR. REVISIONS

DIMENSIONS SHOWN METRIC (INCH)		▽ = 0	▼ = 0	REVISE ONLY ON CAD SYSTEM
UNLESS OTHERWISE SPECIFIED TOLERANCES ANGULAR ± 0°		TITLE		
INCH METRIC		.093/(2.36) HOUSING PLUG AND RECEPTACLE 6 CKT. .264/(6.70) CTRS.		
3 PLACE ± .010	---	MOLEX INCORPORATED SHEET NO. DATE L15LEJLL. 60532 U.S.A. 1 OF 3 1/25/88		
2 PLACE ± .014	± 0.25	PART NO. DRWG. NO.		
1 PLACE ---	± 0.36	SEE CHART SD-3191-6*		
DRAFT WHERE APPLICABLE MUST REMAIN WITHIN DIMENSIONS		APP'D. BY: JUS DRW'D. BY: RW SCALE: 2 : 1 FILE NAME: S31916.X1 APP'D. RAS		
THIS DRAWING CONTAINS INFORMATION THAT IS PROPRIETARY TO MOLEX INC. AND SHOULD NOT BE USED WITHOUT WRITTEN PERMISSION.		SIZE: CP C		

PLUG		RECEPTACLE	
PART NO.	ENG. NO.	PART NO.	ENG. NO.
19-09-2068	3191-6P	19-09-1069	3191-6RI
19-09-2069	3191-6P1	19-09-1066	3191-6RI-201
19-09-2067	3191-6P-201	19-09-6060	3191-6R IRD
19-09-2066	3191-6P1-201	19-09-6069	3191-6R IBK
19-09-7069	3191-6PRD		
19-09-7068	3191-6PBK		

LEGEND:

3191-6****-*

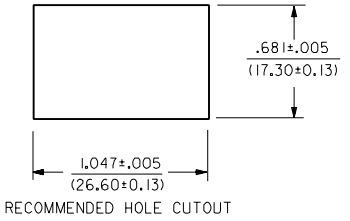
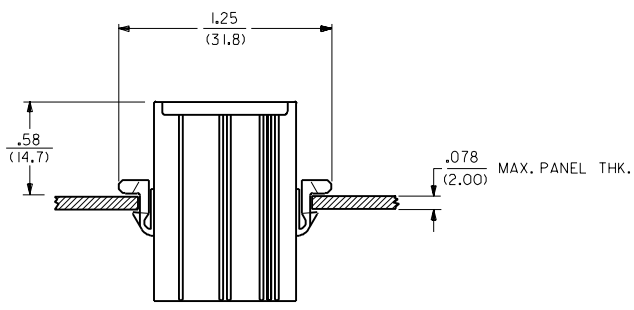
CIRCUIT SIZE →

P = PLUG
R = RECEPTACLE

EARS: BLANK = WITH PREBENT EARS (PLUG ONLY)
I = WITHOUT EARS

COLOR: BLANK = NATURAL COLOR
AM=AMBER BK=BLACK BU=BLUE
BN=BROWN GY=GRAY GN=GREEN
OR=ORANGE RD=RED YW=YELLOW
COLORS AVAILABLE ONLY IN 94V-2 MATERIAL

MATERIAL: BLANK=NYLON TYPE 6/6, 94V-2
201=NYLON TYPE 6/6, 94V-0



MOUNTING HOLE DETAIL

3191

DIMENSIONS SHOWN (METRIC) INCH		UNLESS OTHERWISE SPECIFIED TOLERANCES ANGLES ARE ± DMP		REVISIONS		TITLE		MOLEX INCORPORATED		SHEET NO. 3		DATE 1/22/88	
INCH		METRIC		M SEE SHEET 1		.093/(2.36) HOUSINGS		MOLEX INCORPORATED		3		1/22/88	
3 PLACE ± .010 ---		---		L SEE SHT. 1		PLUG AND RECEPTACLE		MOLEX INCORPORATED		3		1/22/88	
2 PLACE ± .014 ± 0.25		± 0.25		K SEE SHT. 1		6 CKT., .264/(6.70) CTRS.		MOLEX INCORPORATED		3		1/22/88	
1 PLACE --- ± 0.36		± 0.36		J SEE SHT. 1		SEE CHART		MOLEX INCORPORATED		3		1/22/88	
DRAFT WHERE APPLICABLE MUST REMAIN WITHIN DIMENSIONS		---		I SEE SHT. 1		SD-3191-6*		MOLEX INCORPORATED		3		1/22/88	
DRAWING BY: JUS		CHK'D BY: RW		LTR. REVISIONS		LTR. REVISIONS		MOLEX INCORPORATED		3		1/22/88	
APP'D BY: RAS		SCALE: --:--		LTR. REVISIONS		LTR. REVISIONS		MOLEX INCORPORATED		3		1/22/88	