



Transfer Electromechanical Relay Switch DC to 40 GHz,  
2.92mm, 10 Watts, 12V Control with Failsafe

TECHNICAL DATA SHEET

PE71S6118

The PE71S6118 is Transfer Switch that operates from DC to 40 GHz. The switch has a failsafe actuator and 1M life cycles. The switch has an operating voltage of 12 Volts.

**Features**

- Transfer Switch
- DC to 40 GHz Operating Frequency Range
- 1 M Cycles min
- Failsafe Switch
- Switching Sequence Break Before Make

**Applications**

- Test & Measurement
- Communications System
- Instrumentation

**Electrical Specifications**

Frequency Range	DC to 40 GHz
Impedance	50 Ohms
Actuator	Failsafe
Actuating Current	500 mA
Control Voltage	12 Volts
RF Input Power (Max CW)	10 Watts

**RF Characteristic**

Description	Band 1	Band 2	Band 3	Band 4	Band 5	Units
Frequency Range	DC to 6	6 to 12	12 to 18	18 to 26.5	26.5 to 40	GHz
VSWR, Max	1.3:1	1.4:1	1.5:1	1.7:1	2:1	
Insertion Loss, Max	0.3	0.4	0.5	0.7	0.9	dB
Isolation, Min	70	60	60	55	50	dB

**Mechanical Specifications**

Connector Type	2.92mm Female
Operating Life	1,000,000
Terminals	Solder Pins
Switching Time (nominal voltage, 25°C)	<15 ms Typ

**Environmental Specifications**

<b>Temperature</b>	
Operating Range	-35 to +85 deg C
Environment	MIL-DTL-3928
Housing Material and Plating	Aluminum

**Compliance Certifications** (visit [www.Pasternack.com](http://www.Pasternack.com) for current document)  
Not RoHS Compliant

Click the following link (or enter part number in "SEARCH" on website) to obtain additional part information including price, inventory and certifications: [Transfer Electromechanical Relay Switch DC to 40 GHz, 2.92mm, 10 Watts, 12V Control with Failsafe PE71S6118](#)





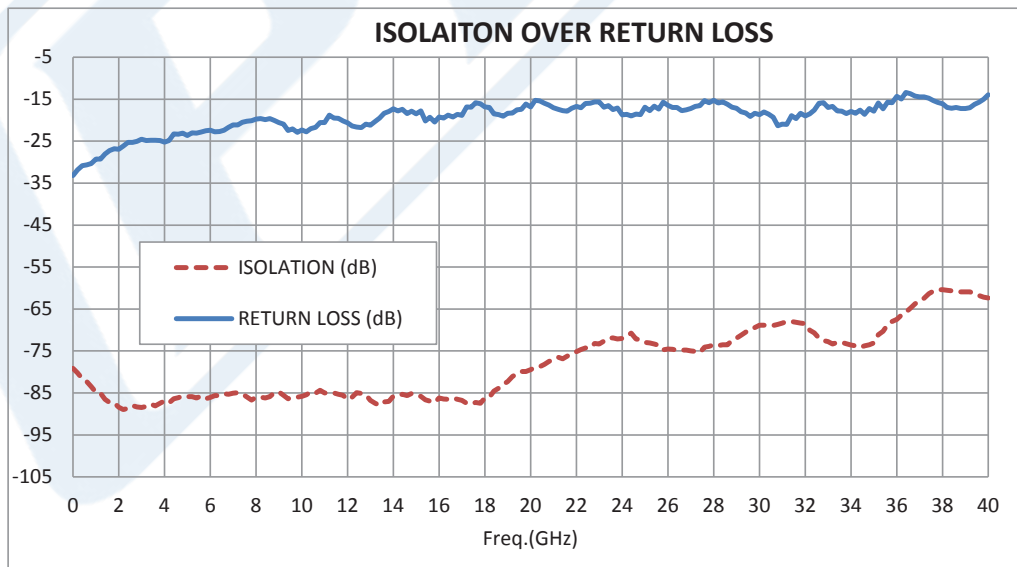
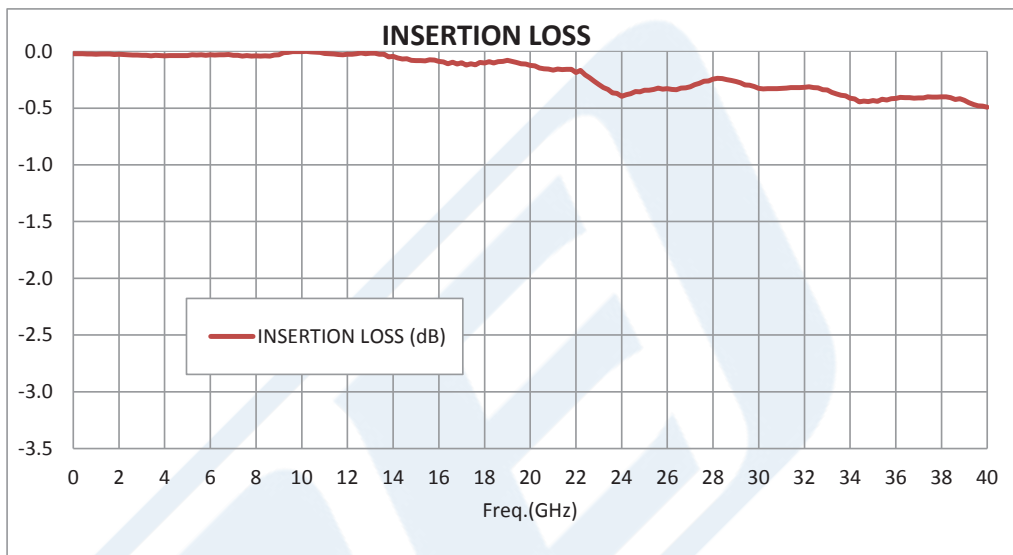


Transfer Electromechanical Relay Switch DC to 40 GHz,  
2.92mm, 10 Watts, 12V Control with Failsafe

TECHNICAL DATA SHEET

PE71S6118

Typical Performance Data



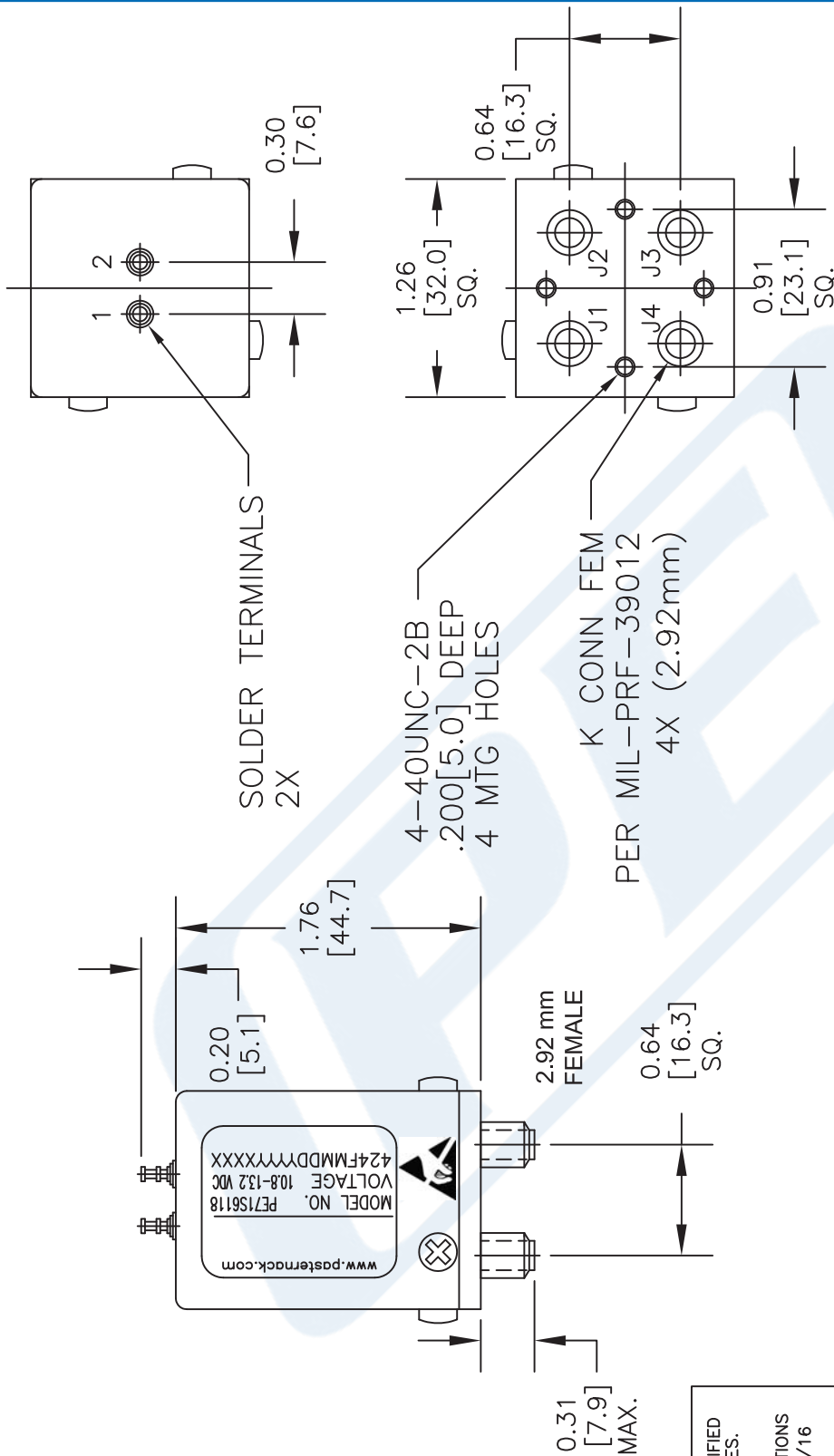
Click the following link (or enter part number in "SEARCH" on website) to obtain additional part information including price, inventory and certifications: [Transfer Electromechanical Relay Switch DC to 40 GHz, 2.92mm, 10 Watts, 12V Control with Failsafe PE71S6118](#)





# PE71S6118 CAD Drawing

Transfer Electromechanical Relay Switch DC to 40 GHz,  
2.92mm, 10 Watts, 12V Control with Failsafe



UNLESS OTHERWISE SPECIFIED DIMENSIONS ARE IN INCHES. TOLERANCES ARE:

DECIMALS ANGLES FRACTIONS  
.XX ±.01 ± 1/2° ± 1/16  
.XXX ±.005

HOLE DIAMETER	TOLERANCE
.0135 TO .125	+0.004/-0.001
.126 TO .250	+0.005/-0.001
.251 TO .500	+0.006/-0.001
.501 TO .750	+0.008/-0.001
.751 TO 1.000	+0.010/-0.001
1.001 TO 2.000	+0.012/-0.001

\* THESE DIMENSIONS AND TOLERANCES SUPERSEDE NOTE #1 ON TITLE BLOCK.



Pasternack Enterprises, Inc.  
P.O. Box 16759 | Irvine | CA | 92623  
Phone: (949) 261-1920 | Fax: (949) 261-7451  
Website: www.pasternack.com | E-Mail: sales@pasternack.com

DWG TITLE

**PE71S6118**

NOTES:  
1. UNLESS OTHERWISE SPECIFIED ALL DIMENSIONS ARE NOMINAL.  
2. ALL SPECIFICATIONS ARE SUBJECT TO CHANGE WITHOUT NOTICE AT ANY TIME.  
3. DIMENSIONS ARE IN INCHES [mm].

FSCM NO. 53919

CAD FILE 022515

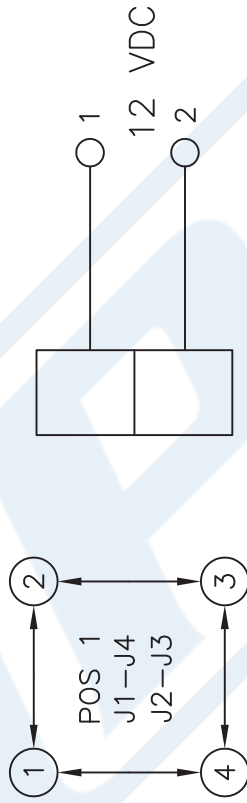
SCALE N/A

SIZE A

150

# PE71S6118 CAD Drawing

Transfer Electromechanical Relay Switch DC to 40 GHz,  
2.92mm, 10 Watts, 12V Control with Failsafe



FAILSAFE SCHEMATIC SHOWN IN DE-ENERGIZED POSITION

DWG TITLE

**PE71S6118**

NOTES:  
1. UNLESS OTHERWISE SPECIFIED ALL DIMENSIONS ARE NOMINAL.  
2. ALL SPECIFICATIONS ARE SUBJECT TO CHANGE WITHOUT NOTICE AT ANY TIME.  
3. DIMENSIONS ARE IN INCHES [mm].

FSCM NO. 53919

CAD FILE 022515

SCALE N/A

SIZE A

150



Pasternack Enterprises, Inc.  
P.O. Box 16759 | Irvine | CA | 92623  
Phone: (949) 261-1920 | Fax: (949) 261-7451  
Website: www.pasternack.com | E-Mail: sales@pasternack.com