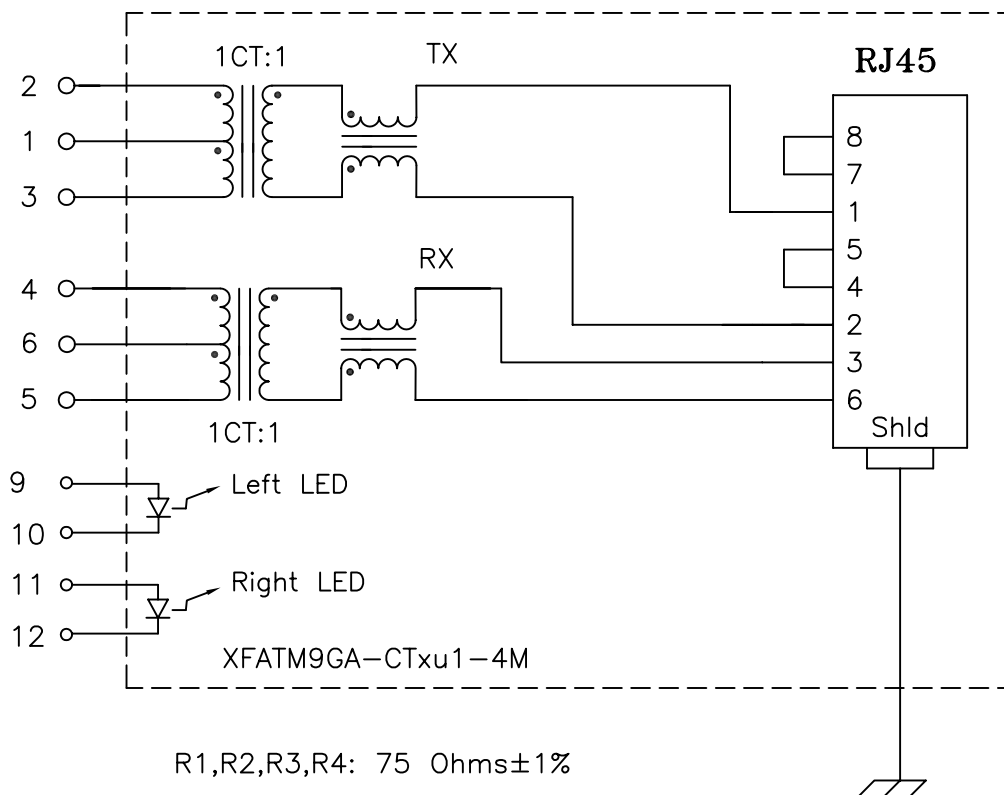


## Schematic:



## Electrical Specifications: @25°C

Isolation Voltage: 1500 Vrms (Input to Output)  
 Isolation Voltage: 500 Vrms (P1+2+3 to P4+5+6)  
 Turns Ratio: TX 1CT:1±3% RX 1CT:1±3%  
 CABLE SIDE OCL: 350uH Minimum @100KHz 100mV 8mA<sub>dc</sub>  
 Cw/w: 27pF Typical @100KHz 100mV  
 Insertion Loss (300KHz-100MHz): -1.0dB Maximum  
 Return Loss: @30MHz -18dB Minimum  
 @80MHz -12dB Minimum

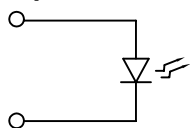
Complete the Combo P/N as follows:

Replace 'x' & 'u' in the part number with one of the LED color letters:

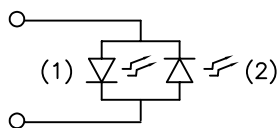
Y=Yellow  
 G=Green  
 A=Amber  
 R=Red  
 C=Green(1)/Amber(2) Bicolor  
 D=Amber(1)/Green(2) Bicolor  
 M=Green(1)/Yellow(2) Bicolor  
 N=Yellow(1)/Green(2) Bicolor  
 P=Red(1)/Green(2) Bicolor  
 Q=Green(1)/Red(2) Bicolor

'x' = Left LED Color  
 'u' = Right LED Color

Single Color LED:



Bi-Color LED:



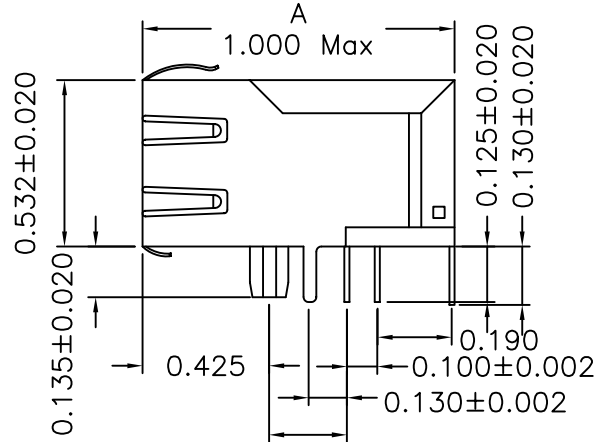
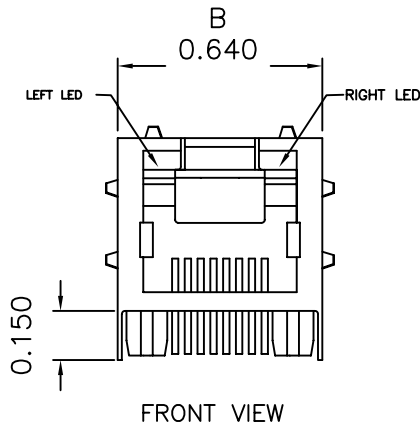
DOC REV: A/1

### Notes:

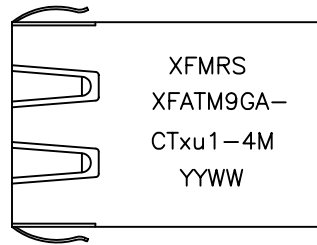
- Solderability: Leads shall meet MIL-STD-202, Method 208D for solderability.
- Flammability: UL94V-0
- ASTM oxygen index: > 28%
- Insulation System: Class F 155°C. UL file E151556
- Operating Temperature Range: All listed parameters are to be within tolerance from -40°C to +85°C
- Storage Temperature Range: -55°C to +125°C
- Aqueous wash compatible

<b>XFMRs Inc.</b>		Title: <b>FOUR PORT COMBO</b>	
UNLESS OTHERWISE SPECIFIED TOLERANCES: .xx ±0.25 Dimensions in MM		P/N: XFATM9GA-CTxu1-4M	REV. A
		DWN. 罗振江	Jul-24-03
		CHK. 廖玉坤	Jul-24-03
SHEET 1 OF 2		APP. Isaih M	Jul-24-03

**Mechanical Dimensions:**

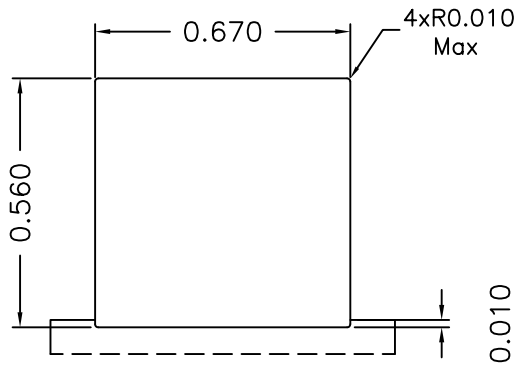
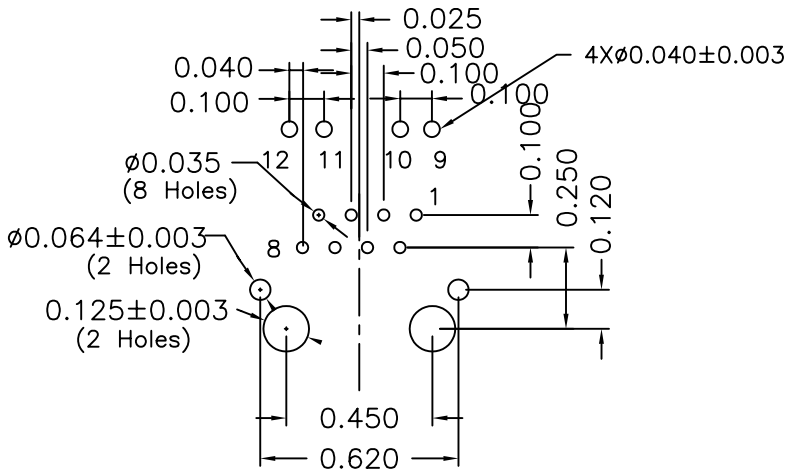


0.250±0.003



TOP VIEW

**Mounting Pattern:**



RECOMMENDED PANEL CUTOUT

DOC REV: A/1

<b>XFMRS Inc.</b>	Title: Mechanical Dimensions For TAB UB RJ45 COMBO		
	UNLESS OTHERWISE SPECIFIED TOLERANCES: .xxx ±0.010 Dimensions in Inch	P/N: XFATM9GA-CTxu1-4M	REV. A
SHEET 2 OF 2	DWN.	李小锋	Jul-24-03
	CHK.	廖玉坤	Jul-24-03
	APP.	Isaiah M	Jul-24-03