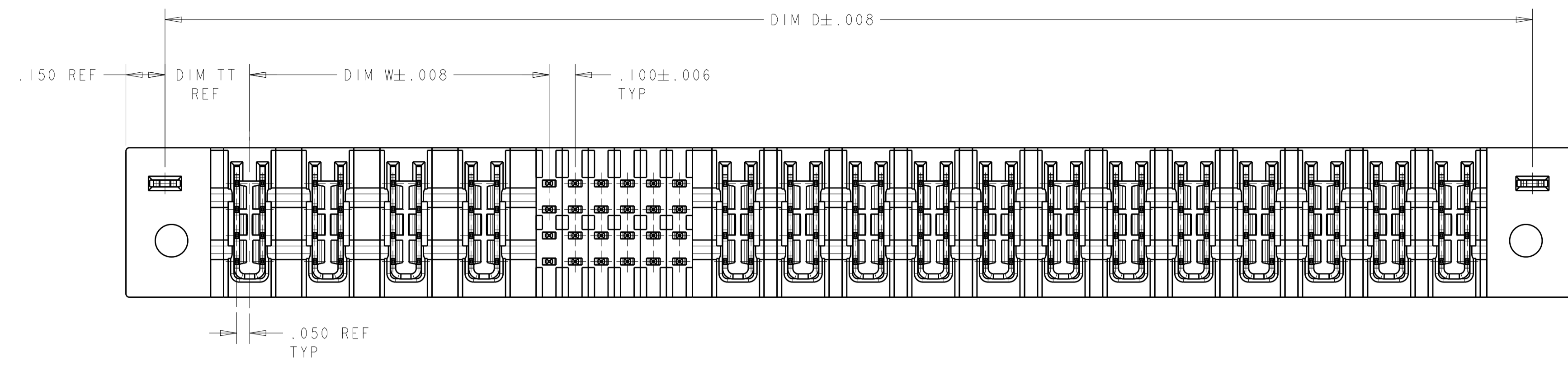
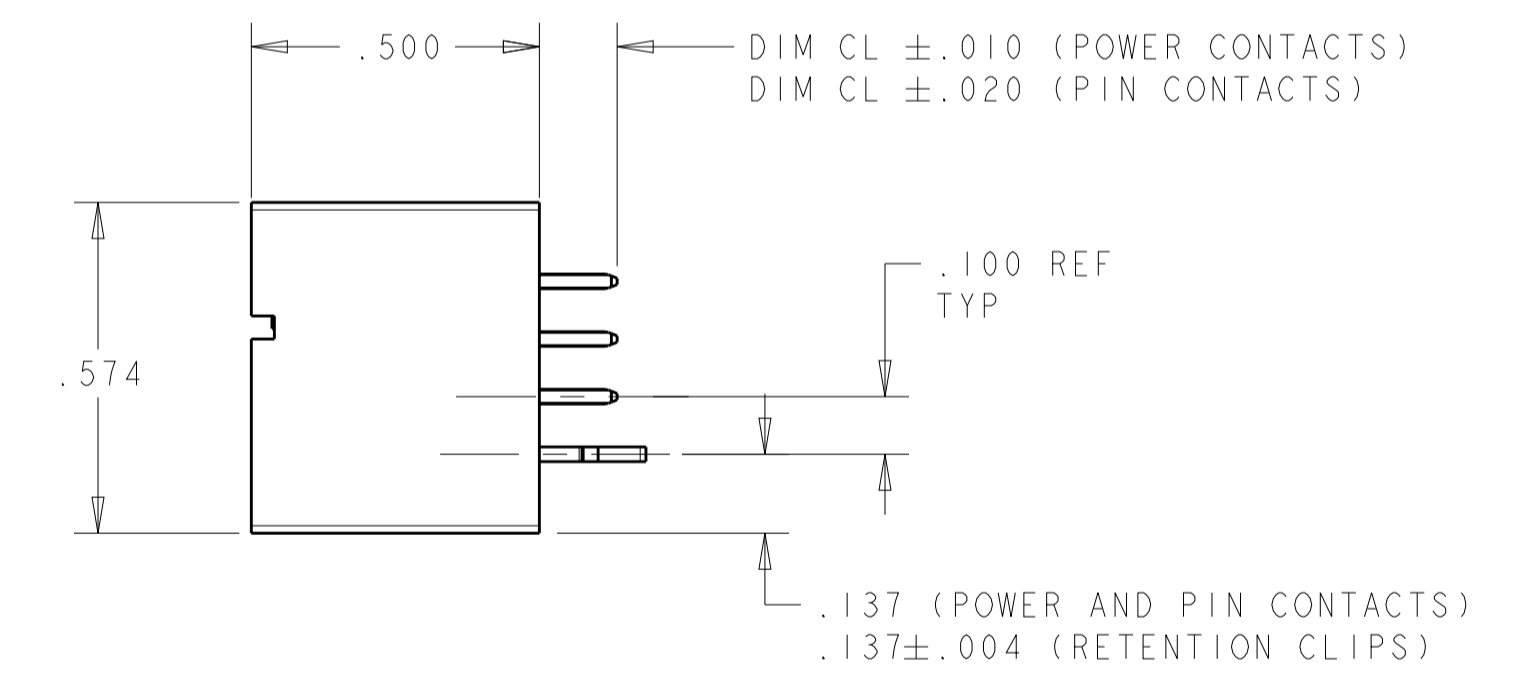
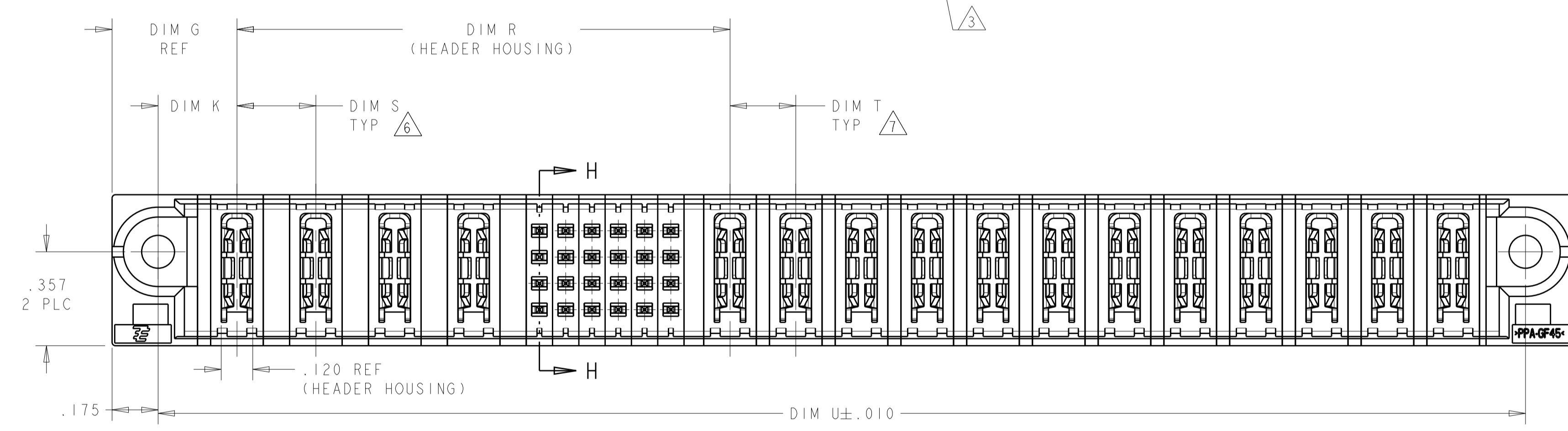
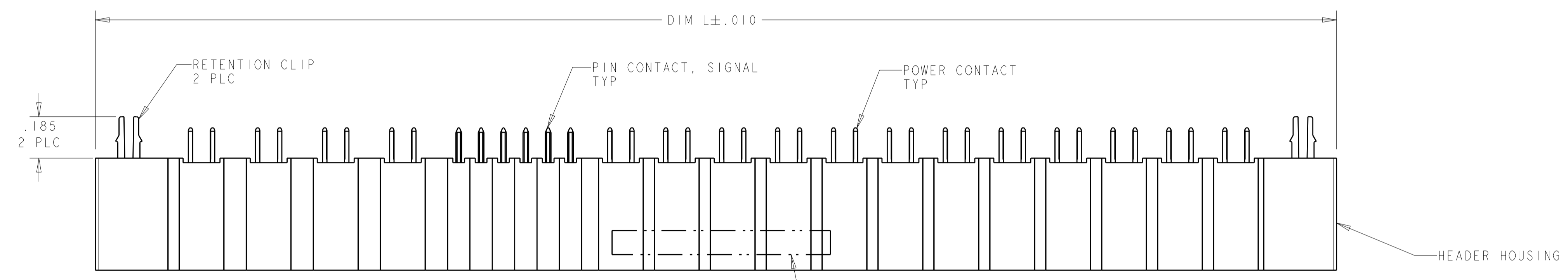


LOC	DIST	REVISIONS					
		P	LTN	DESCRIPTION	DATE	DWN	APVD
ES	00						
	J3			ADDED NEW DASH -23.	06DEC2010	IL	SZ
	J4			ADDED NEW DASH NUMBER 2--4	12AUG2012	CZ	SZ
	J6			REV PER ECR-13-014088	06SEP2013	CZ	SZ
	J7			ADD NEW DASH NUMBER 2-5	10FEB2015	CZ	SZ



- △ 1 HEADER HOUSING: THERMO PLASTIC, BLACK, UL94 V-O; CONTACTS AND RETENTION CLIPS: COPPER ALLOY.
- △ 2 CONTACT PLATING: NOBLE METAL PLATING ON CONTACT FUNCTIONAL AREA OF POWER AND SIGNAL CONTACTS
- △ 3 "AMP", PART NUMBER AND DATE CODE MARKED IN THIS AREA. PARTS UNDER 2.50 LONG MAY BE MARKED ON BOTH SIDES.
- △ 4 DATUM AND BASIC DIMENSIONS ESTABLISHED BY CUSTOMER.
- △ 5 PCB - ALL HOLE DIAMETERS ARE FINISHED HOLE SIZES.
- △ 6 APPLIES TO POWER MODULES ON LEFT SIDE OF SIGNAL CAVITIES OF HOUSING.
- △ 7 APPLIES TO POWER MODULES ON RIGHT SIDE OF SIGNAL CAVITIES OF HOUSING.
- △ 8 MECHANICAL CONNECTOR KEEP OUT ZONE.




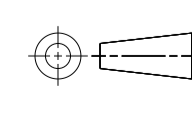
THIS DRAWING IS A CONTROLLED DOCUMENT.

DIMENSIONS: INCH	TOLERANCES UNLESS OTHERWISE SPECIFIED: 0 PLC ±. 1 PLC ±. 2 PLC ±. 3 PLC ±.005 4 PLC ±.0020 ANGLES ±.	DWN: J. McCLINTON 22MAR2005 CHK: D. TROUT 22MAR2005 APVD: B. WHYNE 22MAR2005	TE Connectivity NAME: VERTICAL HEADER ASSEMBLY W/ GUIDES AND SOLDER TAILS MULTI-BEAM XL SIZE: A1 CAGE CODE: 6600330 DRAWING NO: 108-1973 APPLICATION SPEC: 114-13038 WEIGHT: - CUSTOMER DRAWING	RESTRICTED TO
MATERIAL: △1	FINISH: △2	SCALE: 4:1		SHEET 1 OF 10

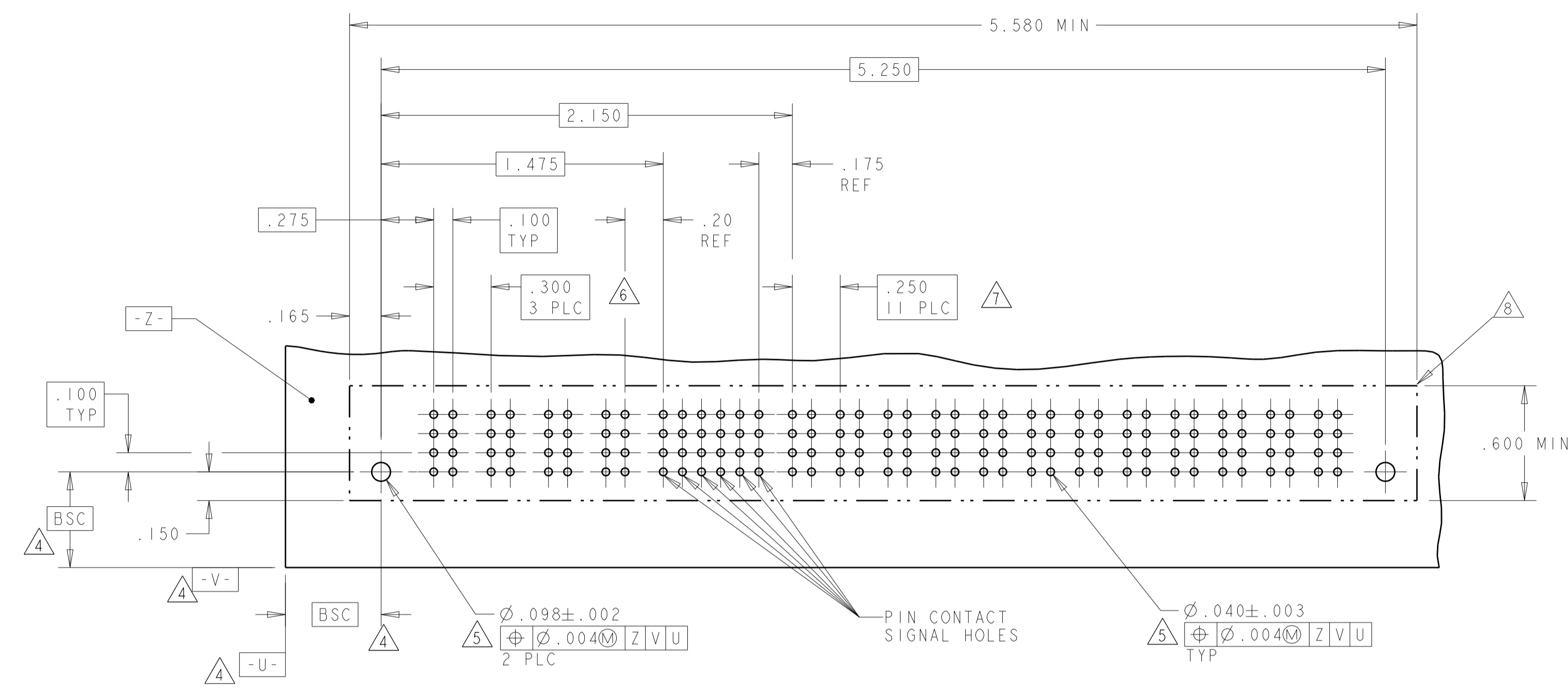
THIS DRAWING IS UNPUBLISHED. RELEASED FOR PUBLICATION 20
 © COPYRIGHT 20 TE CONNECTIVITY ALL RIGHTS RESERVED.

LOC	DIST	REVISIONS					
		P	LTN	DESCRIPTION	DATE	DWN	APVD
ES	00	-		SEE SHEET 1	-	-	-

DIM "CL"	DIM "TT"	DIM "W"	DIM "U"	DIM "T"	DIM "S"	DIM "R"	DIM "L"	DIM "K"	DIM "G"	DIM "D"	RETENTION CLIP	DESCRIPTION	PART NUMBER
.135	.300	.175	1.600	-	-	1.050	1.950	.275	.450	1.650	YES	1P + 32S + 1P	2-6600330-5
.135	.300	.175	1.300	-	-	.750	1.650	.275	.450	1.350	YES	1P + 20S + 1P	2-6600330-4
.135	.175	-	.400	-	-	-	.750	.200	.375	.450	YES	4S	2-6600330-3
.135	.300	.425	1.600	.250	.250	.800	1.950	.275	.450	1.650	YES	2P + 12S + 2P	2-6600330-1
.135	.300	.925	3.200	.250	.250	1.900	3.550	.275	.450	3.250	YES	4P + 36S + 4P	2-6600330-0
.135	.300	.975	3.000	.250	.250	1.700	3.350	.275	.450	3.050	YES	4P + 24S + 4P	1-6600330-9
.135	.300	.375	2.400	.200	.200	1.650	2.750	.275	.450	2.450	YES	2HDP + 48S + 2HDP	1-6600330-3
.135	.300	.675	2.400	.250	.250	1.350	2.750	.275	.450	2.450	YES	3P + 24S + 3P	1-6600330-2
.135	.325	1.700	4.500	.300	.300	2.400	4.850	.300	.475	4.550	YES	6ACP + 24S + 6ACP	1-6600330-1
.135	.300	2.175	5.400	.250	.250	2.850	5.750	.275	.450	5.450	YES	9P + 24S + 9P	1-6600330-0
.135	.300	.925	2.900	.250	.250	1.600	3.250	.275	.450	2.950	NO	4P + 24S + 4P	6600330-9
.135	.300	.975	3.250	.250	.250	1.700	3.600	.275	.450	3.300	YES	4P + 24S + 5P	6600330-8
.165	.300	.425	1.900	.250	.250	1.100	2.250	.275	.450	1.950	YES	2P + 24S + 2P	6600330-6
.135	.300	1.375	4.000	.200	.200	2.250	4.350	.275	.450	4.050	YES	7P + 32S + 7P	6600330-5
.135	.325	.225	1.575	-	-	.950	1.925	.300	.475	1.625	YES	1P + 24S + 1P	6600330-4
.135	.300	1.975	4.200	.300	.250	2.725	4.550	.275	.450	4.250	YES	8P + 24S + 4ACP	6600330-3
.135	.325	.250	2.500	-	-	1.900	2.850	.300	.475	2.550	YES	1P + 60S + 1P	6600330-2
.135	.325	1.150	5.200	.250	.300	1.875	5.550	.300	.475	5.250	YES	4ACP + 24S + 12P	6600330-1

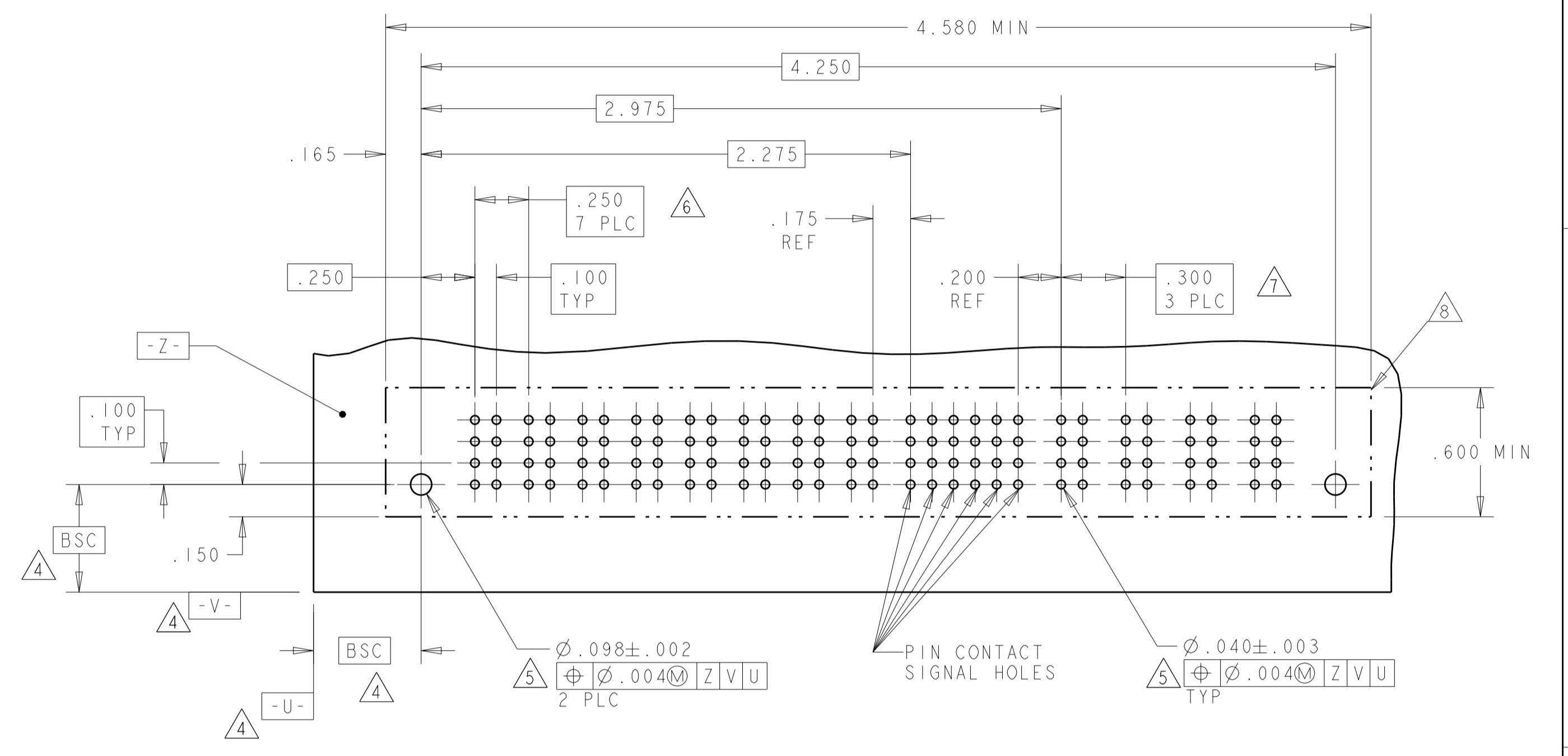
THIS DRAWING IS A CONTROLLED DOCUMENT.		DWN J. McCLINTON 22MAR2005	 TE Connectivity
DIMENSIONS: INCH		CHK D. TROUT 22MAR2005	
		APVD B. WHYNE 22MAR2005	NAME VERTICAL HEADER ASSEMBLY W/ GUIDES AND SOLDER TAILS MULTI-BEAM XL
TOLERANCES UNLESS OTHERWISE SPECIFIED: 0 PLC ±. 1 PLC ±. 2 PLC ±. 3 PLC ±. 4 PLC ±.0020 ANGLES ±.0020		PRODUCT SPEC 108-1973 APPLICATION SPEC 114-13038	SIZE A100779
MATERIAL		WEIGHT	RESTRICTED TO
FINISH		CUSTOMER DRAWING	SCALE 4:1 SHEET 2 OF 10 REV J7

PART NUMBER	ROWS	POWER				SIGNAL						POWER																	
		P1	P2	P3	P4	1	2	3	4	5	6	P5	P6	P7	P8	P9	P10	P11	P12	P13	P14	P15	P16						
6600330-1	D	SZ	SZ	SZ	SZ	SV	SV	SV	SV	SV	SV	SV	SV	SV	SV	SV	SV	SV	SV	SV	SV	SV	SV						
	C					SV	SV	SV	SV	SV	SV	SV	SV	SV	SV	SV	SV	SV	SV	SV	SV	SV	SV	SV	SV	SV			
	B					SV	SV	SV	SV	SV	SV	SV	SV	SV	SV	SV	SV	SV	SV	SV	SV	SV	SV	SV	SV	SV	SV		
	A					SV	SV	SV	SV	SV	SV	SV	SV	SV	SV	SV	SV	SV	SV	SV	SV	SV	SV	SV	SV	SV	SV		
4P+24S+12P		HD																										HD	



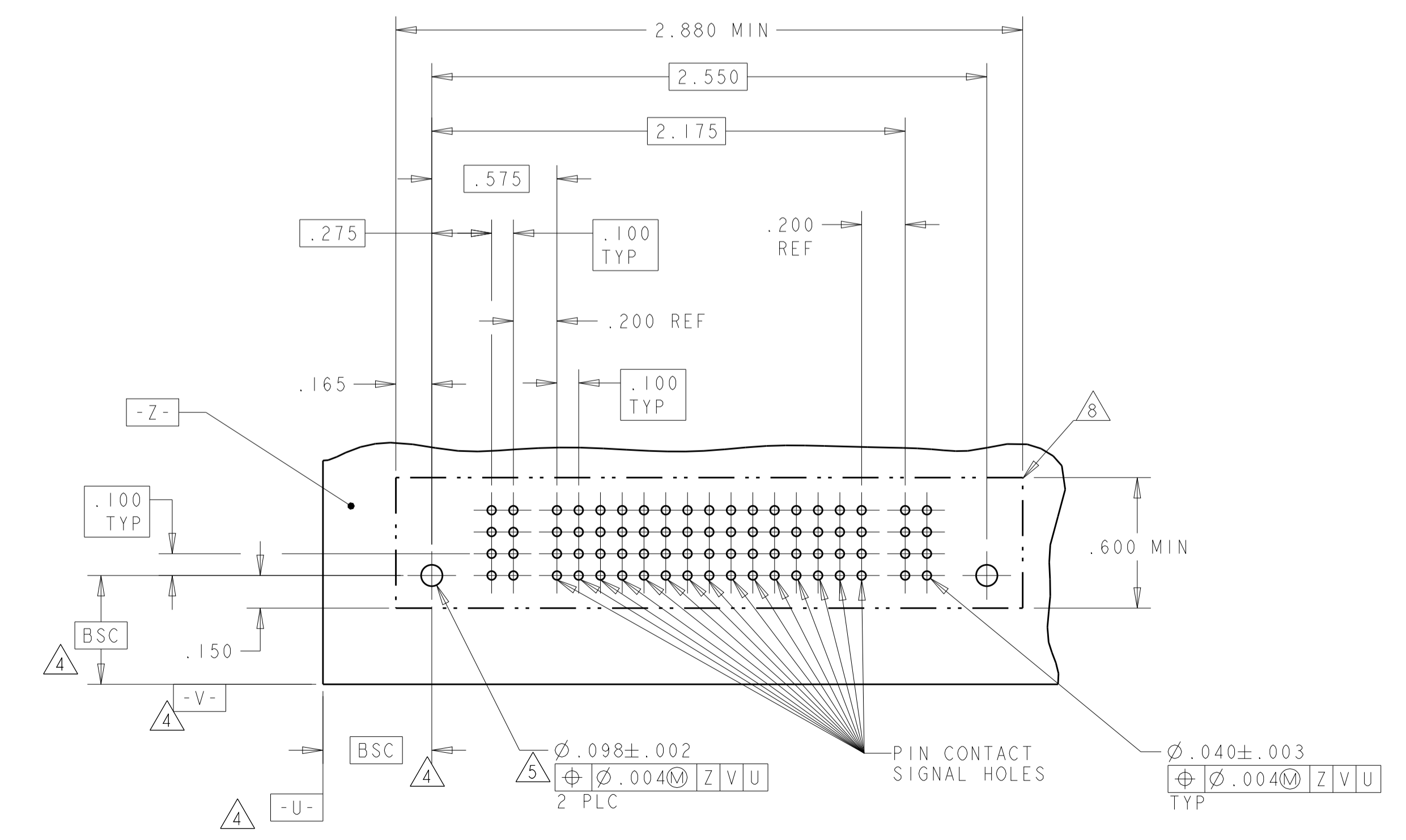
RECOMMENDED PCB LAYOUT 6600330-1
 SCALE 2:1

PART NUMBER	ROWS	POWER				SIGNAL						POWER																																		
		P1	P2	P3	P4	P5	P6	P7	P8	1	2	3	4	5	6	P9	P10	P11	P12																											
6600330-3	D	SZ	SZ	SZ	SZ	SZ	SZ	SZ	SZ	SZ	SZ	SZ	SZ	SZ	SZ	SZ	SZ	SZ	SZ	SZ	SZ	SZ	SZ																							
	C																							SV	SV	SV	SV	SV	SV	SV	SV	SV	SV	SV	SV	SV	SV	SV	SV	SV	SV	SV	SV	SV		
	B																							SV	SV	SV	SV	SV	SV	SV	SV	SV	SV	SV	SV	SV	SV	SV	SV	SV	SV	SV	SV	SV	SV	SV
	A																							SV	SV	SV	SV	SV	SV	SV	SV	SV	SV	SV	SV	SV	SV	SV	SV	SV	SV	SV	SV	SV	SV	SV
8P+24S+4ACP		HD																										HD																		



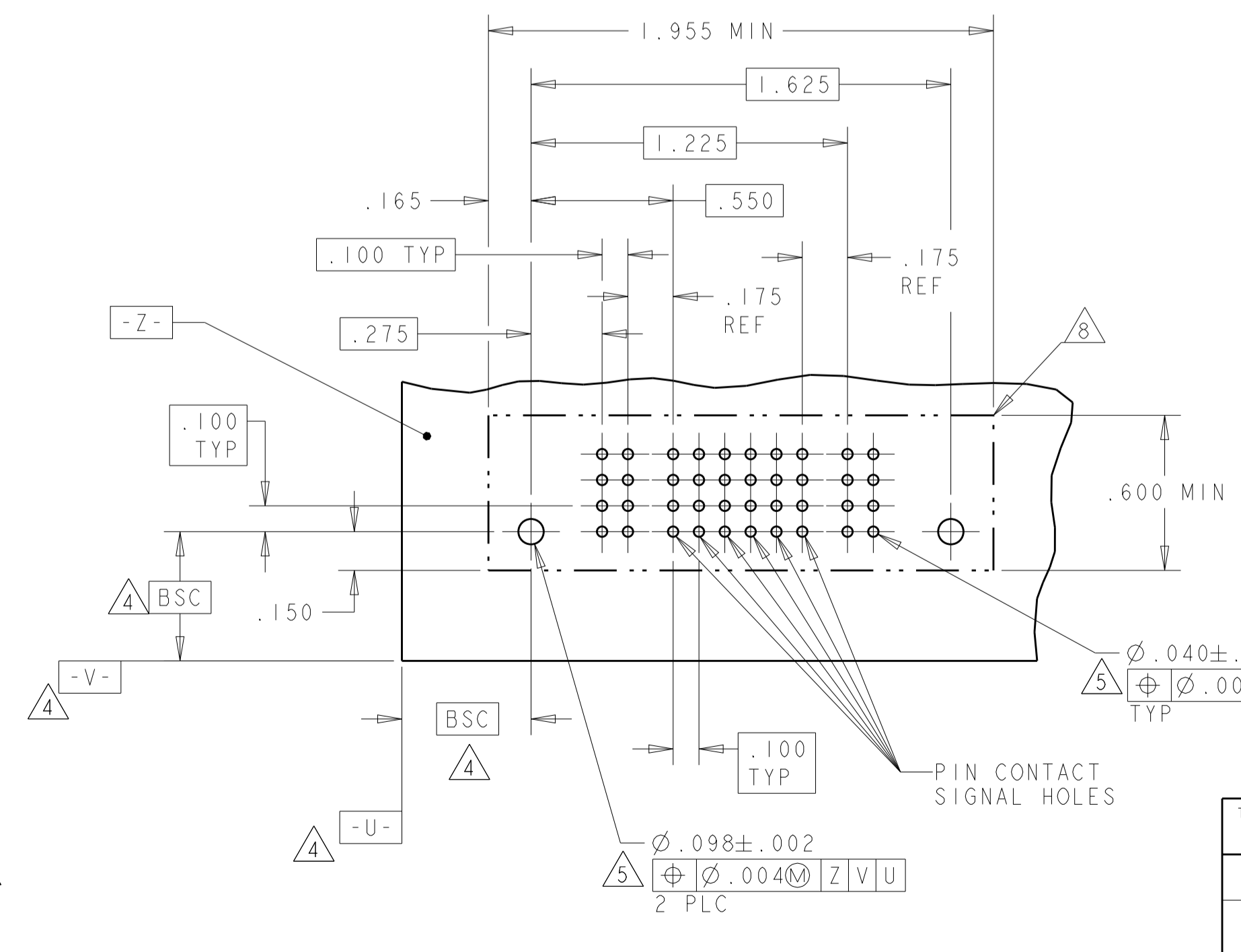
RECOMMENDED PCB LAYOUT 6600330-3
 SCALE 2:1

PART NUMBER	ROWS	SIGNAL														POWER			
		1	2	3	4	5	6	7	8	9	10	11	12	13	14	15	P1	P2	
6600330-2	D	SV	SV	SV	SV	SV	SV	SV	SV	SV	SV	SV	SV	SV	SV	SV	SZ	SZ	
	C	SV	SV	SV	SV	SV	SV	SV	SV	SV	SV	SV	SV	SV	SV	SV			
	B	SV	SV	SV	SV	SV	SV	SV	SV	SV	SV	SV	SV	SV	SV	SV			
	A	SV	SV	SV	SV	SV	SV	SV	SV	SV	SV	SV	SV	SV	SV	SV			
1P+60S+1P		HD																HD	



RECOMMENDED PCB LAYOUT 6600330-2
 SCALE 2:1

PART NUMBER	ROWS	SIGNAL						POWER			
		1	2	3	4	5	6	P1	P2		
6600330-4	D	SV	SV	SV	SV	SV	SV	SZ	SZ		
	C	SV	SV	SV	SV	SV	SV				
	B	SV	SV	SV	SV	SV	SV				
	A	SV	SV	SV	SV	SV	SV				
1P+24S+1P		HD								HD	



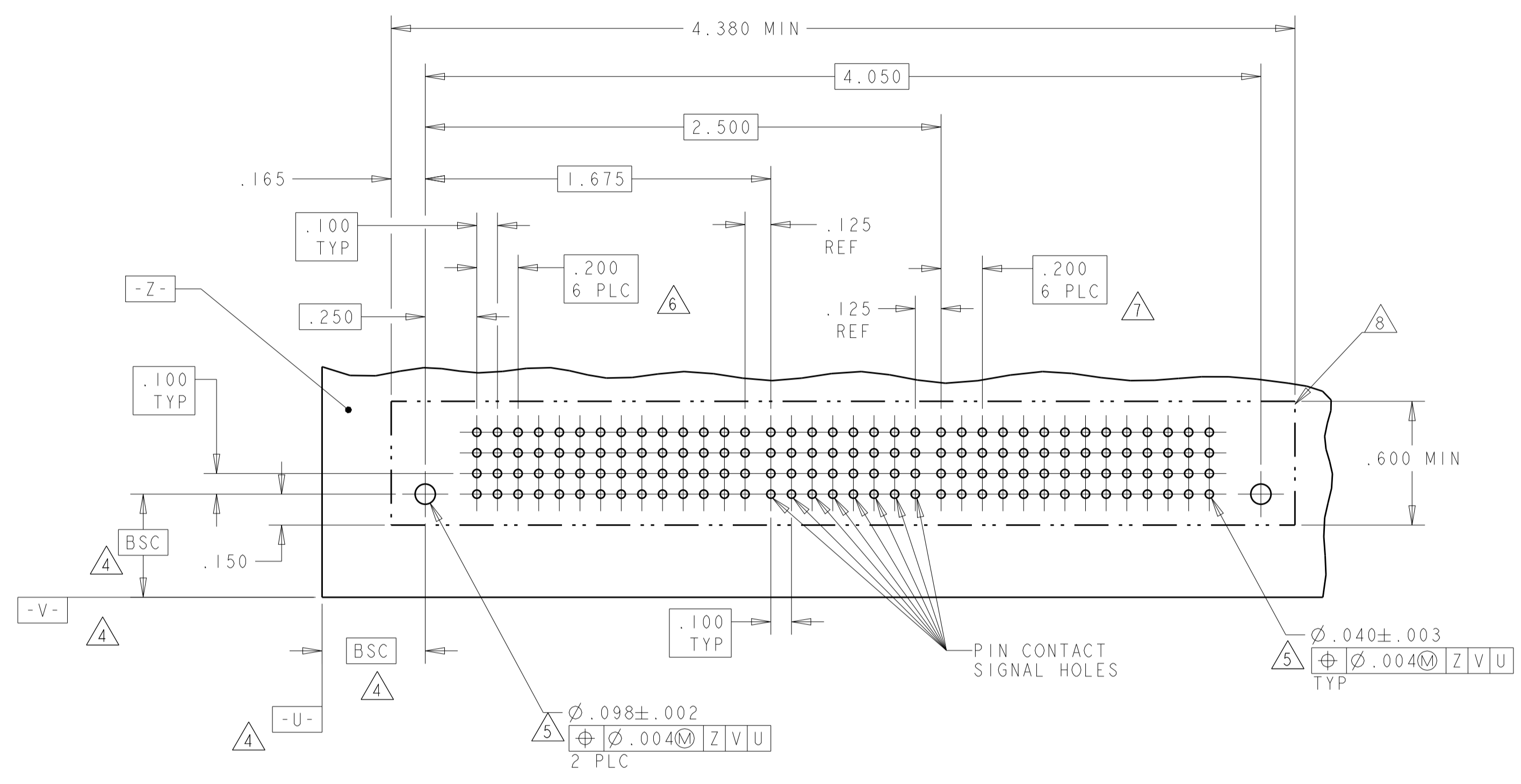
RECOMMENDED PCB LAYOUT 6600330-4
 SCALE 2:1

MATING SEQUENCE	DESCRIPTION	IDENTIFIER
-	RETENTION CLIP	HD
STANDARD	SIGNAL CONTACT	SV or MV
MLBF	SIGNAL CONTACT	SS or MS
-	POWER CONTACT	SZ or MP

THIS DRAWING IS A CONTROLLED DOCUMENT.		DWG: J. McCLINTON 22MAR2005	
DIMENSIONS: INCH		CHK: D. TROUT 22MAR2005	
TOLERANCES UNLESS OTHERWISE SPECIFIED:		APVD: R. MLYNE 22MAR2005	
0 PLC	±	NAME: VERTICAL HEADER ASSEMBLY W/ GUIDES AND SOLDER TAILS MULTI-BEAM XL	
1 PLC	±	PRODUCT SPEC: 108-1973	
2 PLC	±	APPLICATION SPEC: 114-13038	
3 PLC	±.005	SIZE: CAGE CODE: DRAWING NO: A100779	
4 PLC	±.0020	RESTRICTED TO: C=6600330	
ANGLES	±.0020	WEIGHT: -	
MATERIAL:	FINISH:	CUSTOMER DRAWING	
		SCALE: 4:1 SHEET 3 OF 10 REV J7	

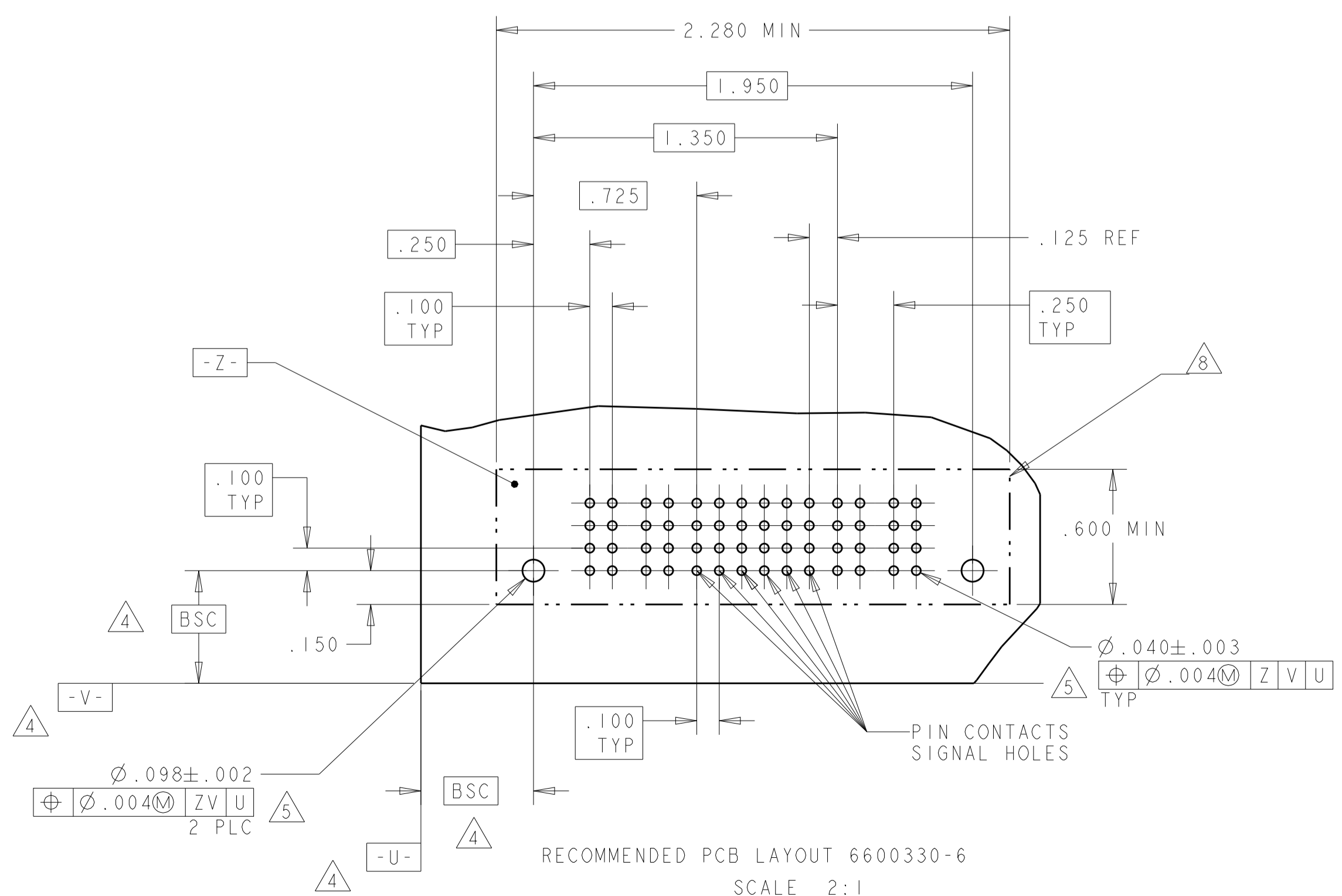
LOC	DIST	REVISIONS			
P	LTN	DESCRIPTION	DATE	OWN	APVD
ES	00	SEE SHEET 1			

PART NUMBER	ROWS	POWER						SIGNAL								POWER														
		P1	P2	P3	P4	P5	P6	P7	1	2	3	4	5	6	7	8	P8	P9	P10	P11	P12	P13	P14							
6600330-5	D	SZ	SZ	SZ	SZ	SZ	SZ	SV	SV	SV	SV	SV	SV	SV	SV	SZ	SZ	SZ	SZ	SZ	SZ	SZ								
	SV							SV	SV	SV	SV	SV	SV	SV																
	SV							SV	SV	SV	SV	SV	SV	SV																
	SV							SV	SV	SV	SV	SV	SV	SV																
7P+32S+7P	HD																													HD



RECOMMENDED PCB LAYOUT 6600330-5
 SCALE 2:1

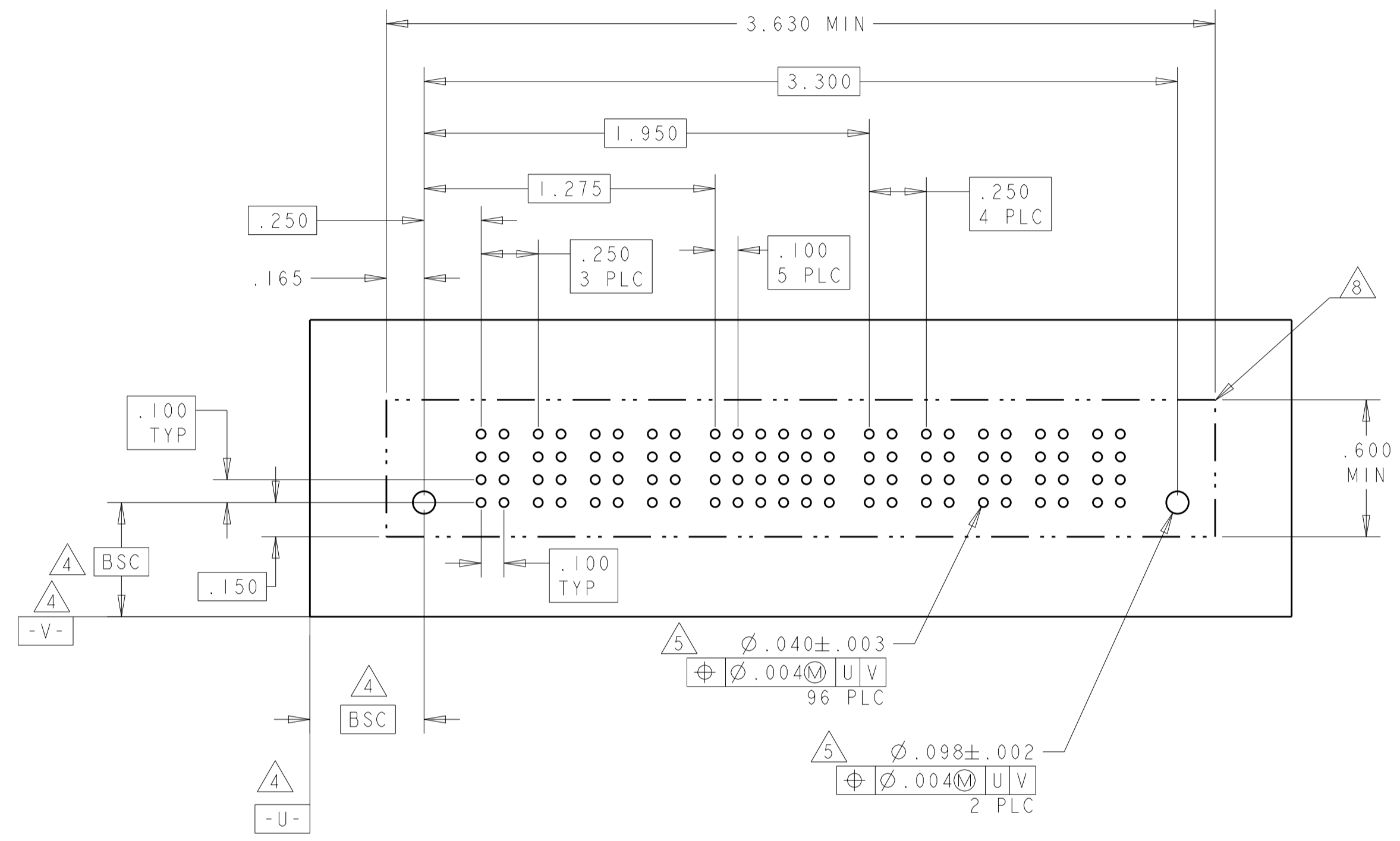
PART NUMBER	ROWS	POWER		SIGNAL						POWER		
		P1	P2	1	2	3	4	5	6	P3	P4	
6600330-6	D	MP	MP	MV	MV	MS	MV	MV	MV	MP	MP	
	MV			MV	MV	MV	MV	MV				
	MV			MV	MS	MV	MV	MV				
	MV			MV	MV	MV	MV	MV				
2P+24S+2P	HD											HD



RECOMMENDED PCB LAYOUT 6600330-6
 SCALE 2:1

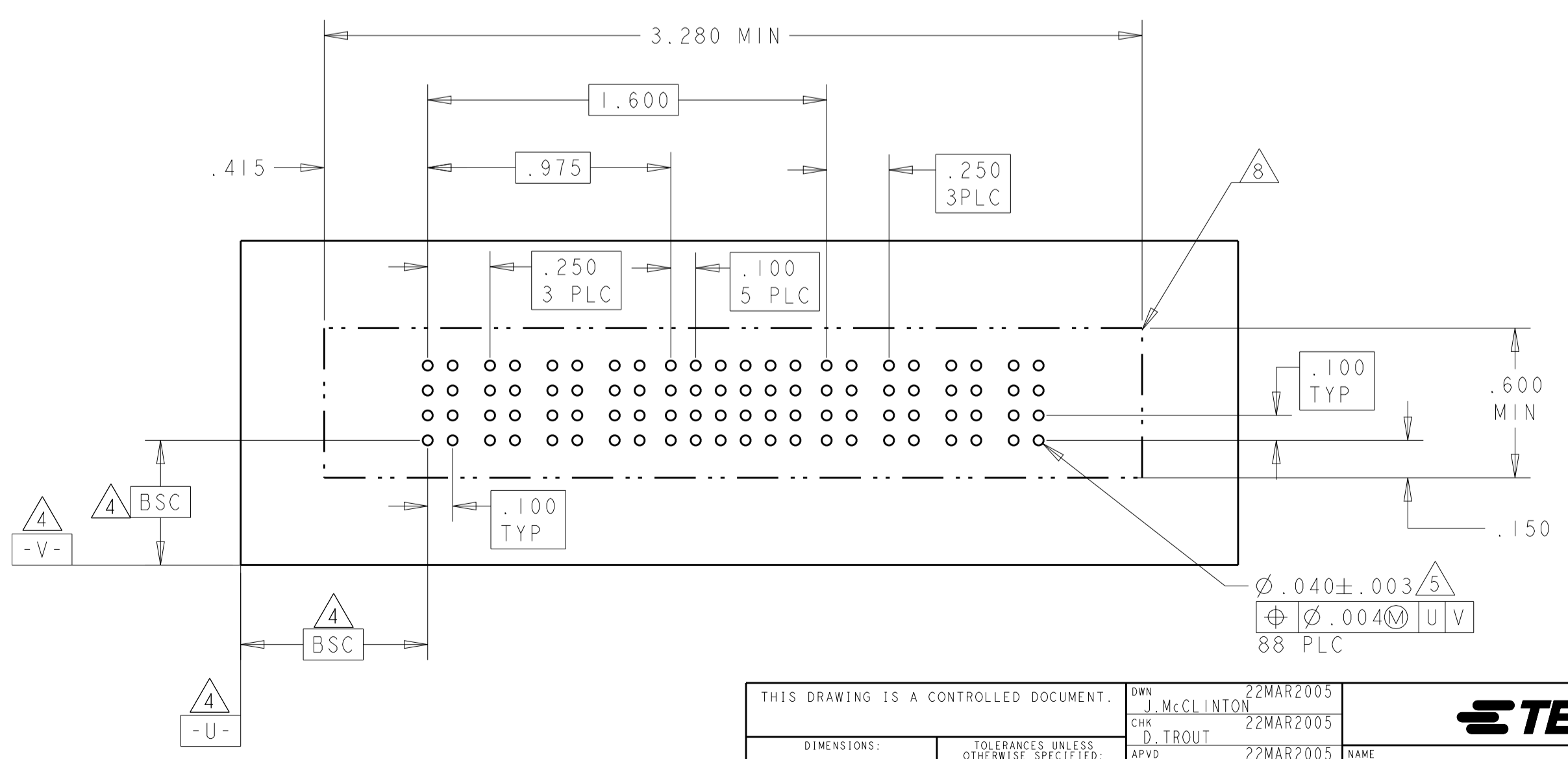
PART NUMBER	ROWS	POWER				SIGNAL					POWER						
		P1	P2	P3	P4	1	2	3	4	5	6	P5	P6	P7	P8	P9	
6600330-8	D	SZ	SZ	SZ	SZ	SS	SV	SS	SV	SV		SZ	SZ	SZ	SZ	SZ	
	SV					SV	SV	SV	SV								
	SV					SS	SV	SV	SV								
	SS					SS	SV	SV	SS								
4P+24S+5P	HD																HD

NO CONTACTS LOADED



RECOMMENDED PCB LAYOUT FOR 6600330-8

PART NUMBER	ROWS	POWER				SIGNAL						POWER			
		P1	P2	P3	P4	1	2	3	4	5	6	P5	P6	P7	P8
6600330-9	D	SZ	SZ	SZ	SZ	SV	SV	SV	SV	SV	SV	SZ	SZ	SZ	SZ
	SV					SV	SV	SV	SV	SV					
	SV					SV	SV	SV	SV	SV					
	SV					SV	SV	SV	SV	SV					
4P+24S+4P															



THIS DRAWING IS A CONTROLLED DOCUMENT. OWN: J. McCLINTON 22MAR2005
 CHK: D. TROUT 22MAR2005
 APVD: B. MLYNE 22MAR2005

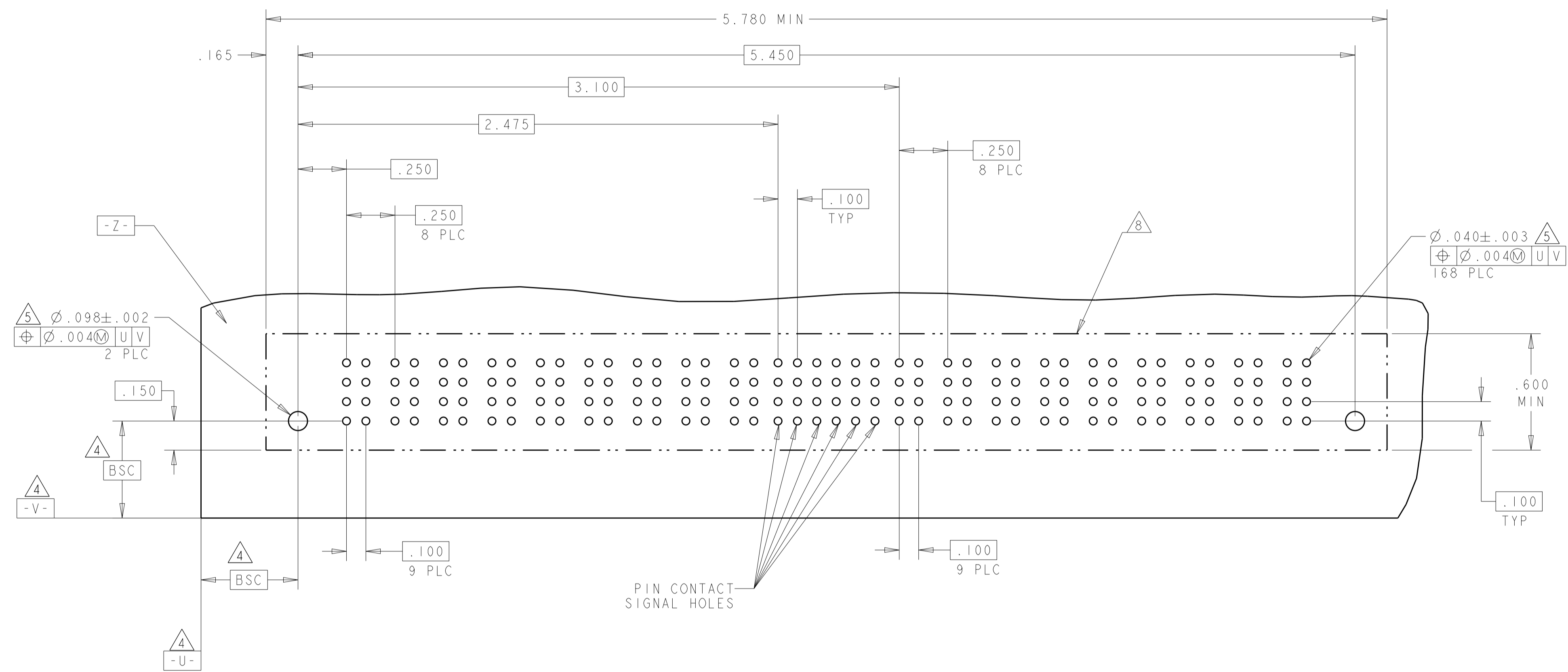
DIMENSIONS: INCH	TOLERANCES UNLESS OTHERWISE SPECIFIED:	PRODUCT SPEC	NAME
0 PLC ±	1 PLC ±	108-1973	VERTICAL HEADER ASSEMBLY W/ GUIDES AND SOLDER TAILS MULTI-BEAM XL
2 PLC ±	3 PLC ±	APPLICATION SPEC	SIZE
4 PLC ±	ANGLES ±	114-13038	CAGE CODE
MATERIAL	FINISH	WEIGHT	DRAWING NO
			A100779
		CUSTOMER DRAWING	SCALE 4:1
			SHEET 4 OF 10

REV J7

LOC	DIST	REV	DATE	BY	APPV
ES	00				

REVISIONS					
REV	DATE	DESCRIPTION	BY	APPV	
-	-	SEE SHEET 1	-	-	-

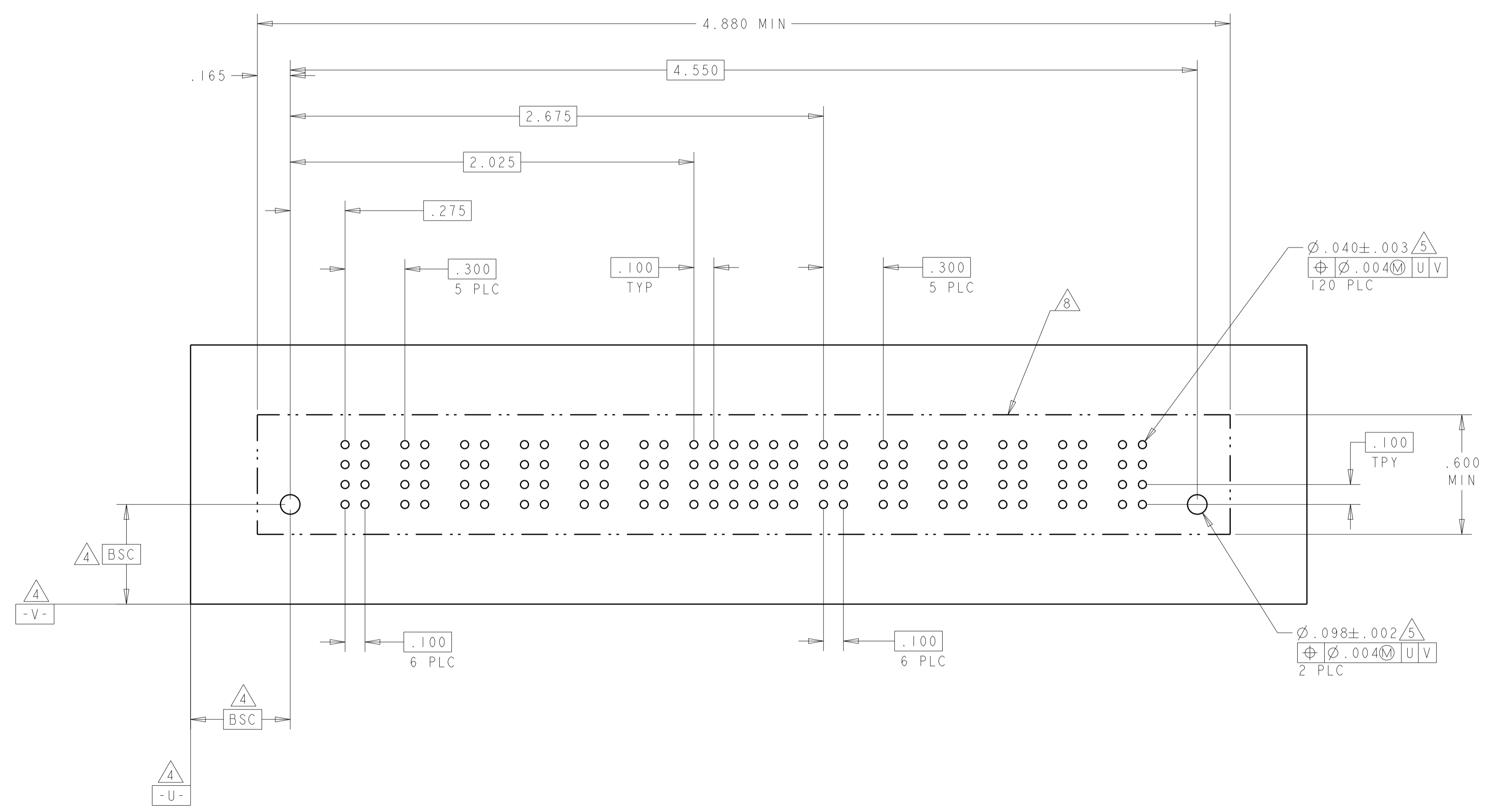
PART NUMBER	ROWS	POWER									SIGNAL						POWER													
		P1	P2	P3	P4	P5	P6	P7	P8	P9	1	2	3	4	5	6	PI0	PI1	PI2	PI3	PI4	PI5	PI6	PI7	PI8					
I-6600330-0	D	SZ	SZ	SZ	SZ	SZ	SZ	SZ	SZ	SZ	SV	SV	SV	SV	SV	SV	SZ	SZ	SZ	SZ	SZ	SZ	SZ	SZ	SZ					
	C										SV	SV	SV	SV	SV	SV														
	B										SV	SV	SV	SV	SV	SV														
	A										SV	SV	SV	SV	SV	SV														
9P+24S+9P	HD																													HD



THIS DRAWING IS A CONTROLLED DOCUMENT.		DWN: J. McCLINTON 22MAR2005 CHK: D. TROUT 22MAR2005 APVD: B. WHYNE 22MAR2005	STE TE Connectivity
DIMENSIONS: INCH 		TOLERANCES UNLESS OTHERWISE SPECIFIED: 0 PLC ±. 1 PLC ±. 2 PLC ±. 3 PLC ±.005 4 PLC ±.0020 ANGLES ±.	NAME: VERTICAL HEADER ASSEMBLY W/ GUIDES AND SOLDER TAILS MULTI-BEAM XL PRODUCT SPEC: 108-1973 APPLICATION SPEC: 114-13038 WEIGHT: - CUSTOMER DRAWING
MATERIAL: -	FINISH: -	SIZE: A1 CAGE CODE: 00779 DRAWING NO: 6600330 SCALE: 4:1 SHEET: 5 OF 10 REV: J7	RESTRICTED TO: -

LOC	DIST	REVISIONS			
P	LTN	DESCRIPTION	DATE	DWN	APVD
-	-	SEE SHEET 1	-	-	-

PART NUMBER	ROWS	POWER						SIGNAL						POWER						
		P1	P2	P3	P4	P5	P6	1	2	3	4	5	6	P7	P8	P9	P10	P11	P12	
I-6600330-1	D		SZ	SZ	SZ	SZ	SZ	SZ	SV	SV	SV	SV	SV	SV	SZ	SZ	SZ	SZ	SZ	SZ
	SS								SS	SS	SS	SS	SS							
	SS								SS	SS	SS	SS	SS							
	SS								SS	SS	SS	SS	SS							
6ACP+24S+6ACP	HD	HD																		

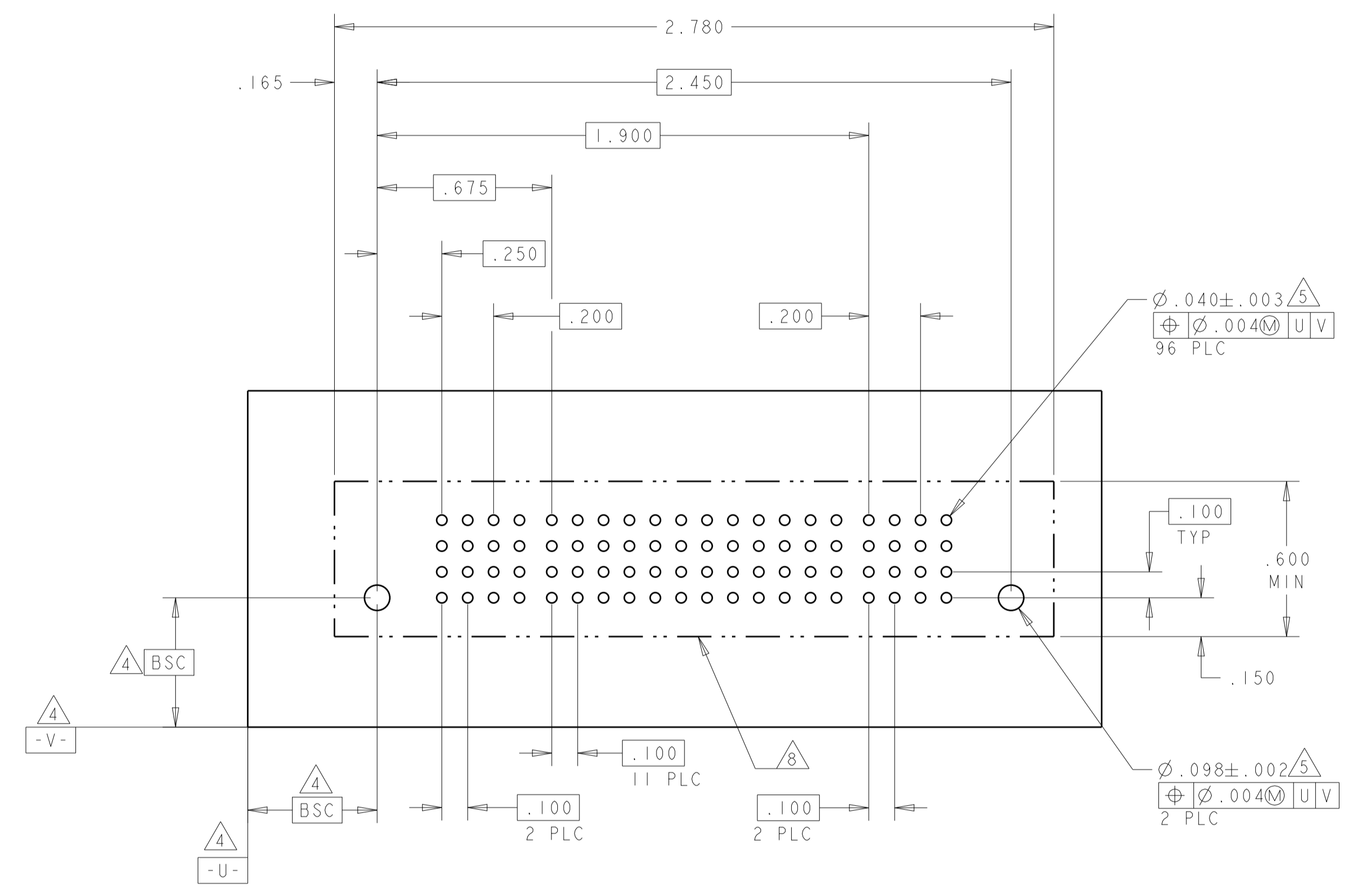
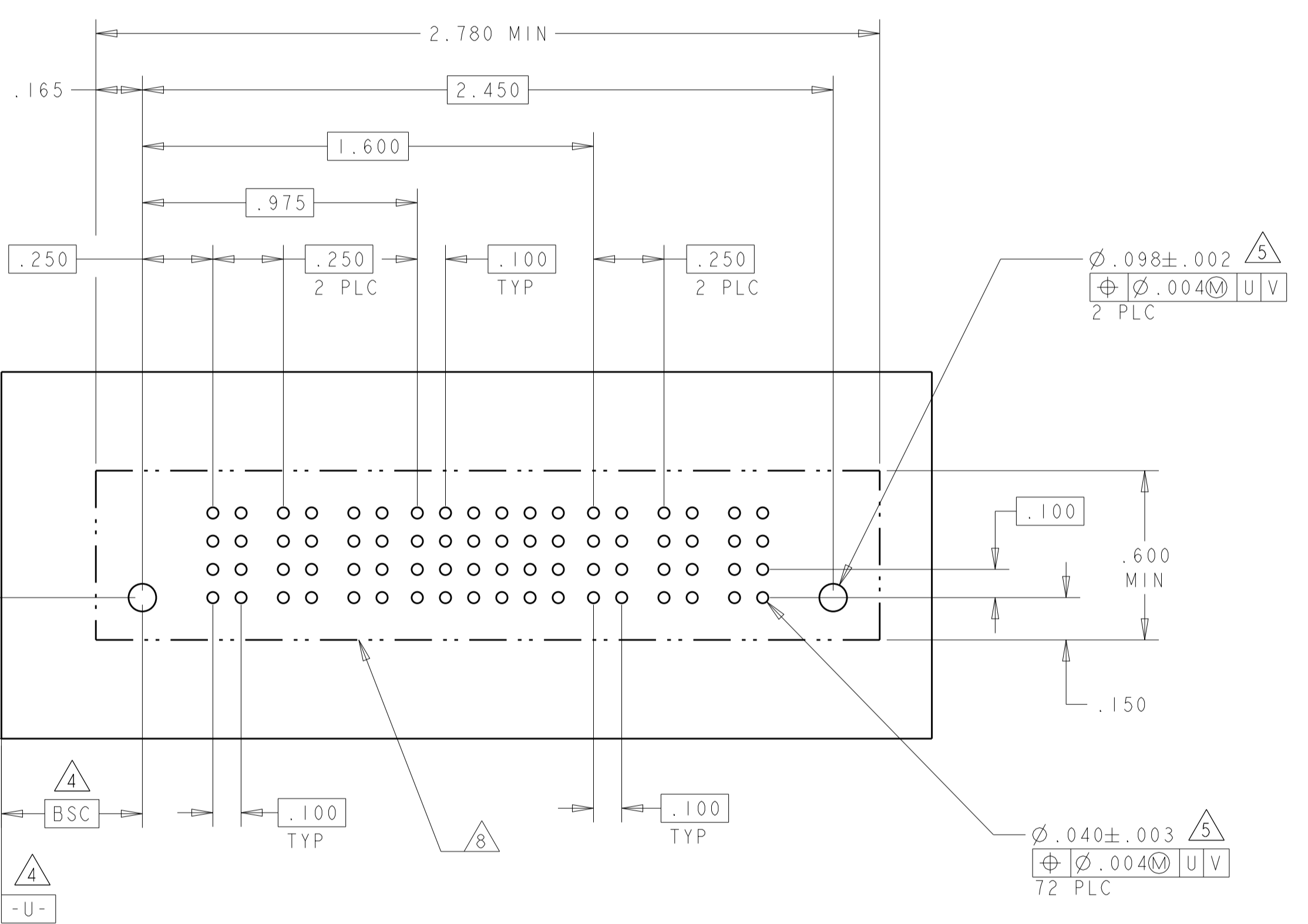


THIS DRAWING IS A CONTROLLED DOCUMENT.		DWN J. McCLINTON 22MAR2005	
DIMENSIONS: INCH		CHK D. TROUT 22MAR2005	
		TOLERANCES UNLESS OTHERWISE SPECIFIED: 0 PLC ± 1 PLC ± 2 PLC ± 3 PLC ± 4 PLC ±.005 ANGLES ±.0020	APVD B. WHYNE 22MAR2005 NAME PRODUCT SPEC 108-1973 APPLICATION SPEC 114-13038 WEIGHT CUSTOMER DRAWING
MATERIAL		FINISH	RESTRICTED TO SIZE CAGE CODE DRAWING NO A100779C=6600330 SCALE 4:1 SHEET 6 OF 10 REV J7

LOC	DIST	REVISIONS			
		REV	DATE	BY	APPV
ES	00	-	SEE SHEET 1	-	-

PART NUMBER	ROWS	POWER			SIGNAL						POWER		
		P1	P2	P3	1	2	3	4	5	6	P4	P5	P6
I-6600330-2	D	SZ	SZ	SZ	SV	SV	SV	SV	SV	SV	SZ	SZ	SZ
	C				SV	SV	SV	SV	SV	SV			
	B				SV	SV	SV	SV	SV	SV			
	A				SV	SV	SV	SV	SV	SV			
3P + 24S + 3P													

PART NUMBER	ROWS	POWER		SIGNAL												POWER		
		P1	P2	1	2	3	4	5	6	7	8	9	10	11	12	P3	P4	
I-6600330-3	D	SZ	SZ	SV	SV	SS	SS	SV	SS	SS	SV	SS	SS	SV	SS	SS	SZ	SZ
	C			SS	SS	SV	SS	SS	SS	SS	SV	SS	SS	SS	SS			
	B			SV	SV	SS	SS	SS	SS	SS	SS	SV	SS	SS	SS			
	A			SS	SS	SV	SS	SS	SS	SS	SV	SS	SS	SS	SS			
2HDP + 48S + 2HDP																		

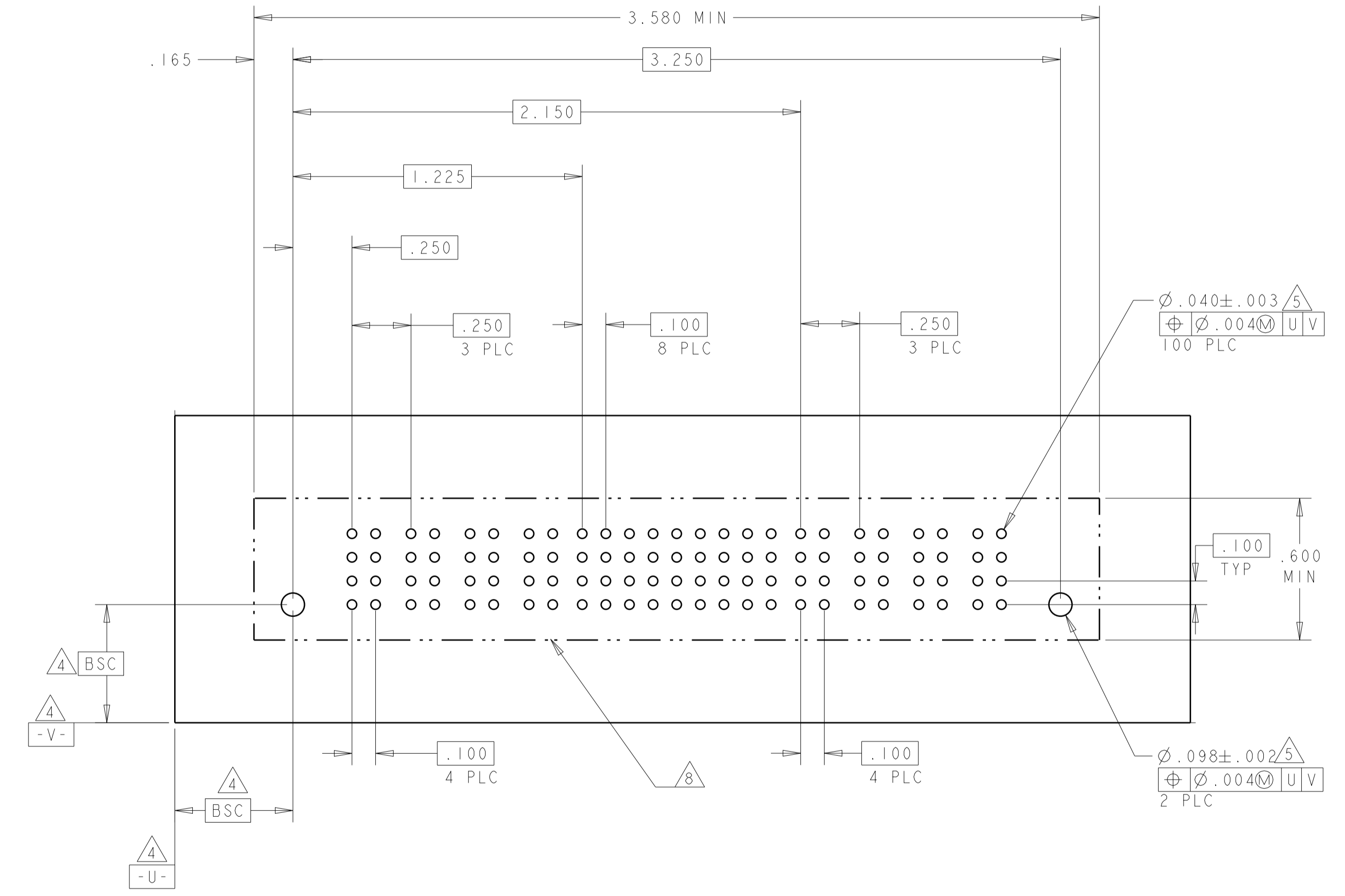
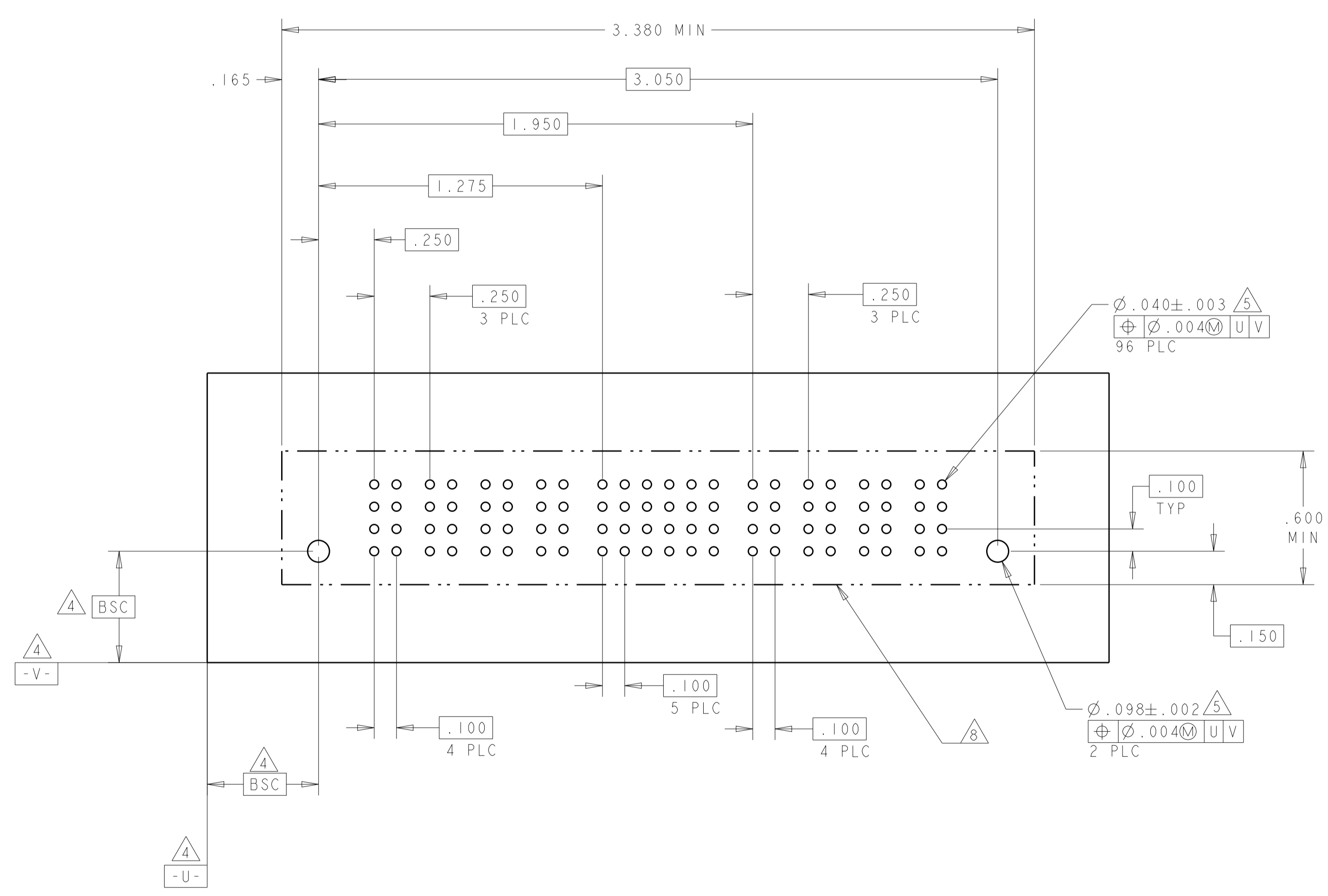


THIS DRAWING IS A CONTROLLED DOCUMENT.		DWN J. McCLINTON 22MAR2005 CHK D. TROUT 22MAR2005 APVD B. WHYNE 22MAR2005		TE Connectivity	
DIMENSIONS: INCH TOLERANCES UNLESS OTHERWISE SPECIFIED: 0 PLC ±. 2 PLC ±. 3 PLC ±. 4 PLC ±.005 ANGLES ±.0020 FINISH		NAME: VERTICAL HEADER ASSEMBLY W/ GUIDES AND SOLDER TAILS MULTI-BEAM XL PRODUCT SPEC: 108-1973 APPLICATION SPEC: 114-13038 WEIGHT:			
MATERIAL:		CUSTOMER DRAWING		SCALE: 4:1	
				SHEET 7 OF 10	
				REV J7	

LOC		DIST		REVISIONS				
P	LTN	DESCRIPTION	DATE	DMN	APVD			
-	-	SEE SHEET 1	-	-	-			

PART NUMBER	ROWS	POWER				SIGNAL						POWER				
		P1	P2	P3	P4	1	2	3	4	5	6	P5	P6	P7	P8	
1-6600330-9	D	SZ	SZ	SZ	SZ	SS	SS	SS	SS	SV	SS	SZ	SZ	SZ	SZ	
	C					SS	SS	SS	SS	SV	SS					
	B					SS	SS	SS	SS	SV	SS					
	A					SS	SS	SV	SS	SV	SS					
4P+24S+4P		HD														HD

PART NUMBER	ROWS	POWER				SIGNAL									POWER				
		P1	P2	P3	P4	1	2	3	4	5	6	7	8	9	P5	P6	P7	P8	
2-6600330-0	D	SZ	SZ	SZ	SZ	SV	SV	SV	SV	SV	SV	SV	SV	SV	SZ	SZ	SZ	SZ	
	C					SV	SV	SV	SV	SV	SV	SV	SV	SV					
	B					SV	SV	SV	SV	SV	SV	SV	SV	SV					
	A					SV	SV	SV	SV	SV	SV	SV	SV	SV					
4P+36S+4P		HD																	HD



THIS DRAWING IS A CONTROLLED DOCUMENT.

DIMENSIONS:	TOLERANCES UNLESS OTHERWISE SPECIFIED:	DMN	J. McCLINTON	22MAR2005
INCH	0 PLC ± .005	CHK	D. TROUT	22MAR2005
	1 PLC ± .005	APVD	P. WHYNE	22MAR2005
	2 PLC ± .005	PRODUCT SPEC		
	3 PLC ± .005	APPLICATION SPEC		
	4 PLC ± .002	SIZE	114-13038	
	ANGLES ± .0020	WEIGHT		
MATERIAL	FINISH	CUSTOMER DRAWING		

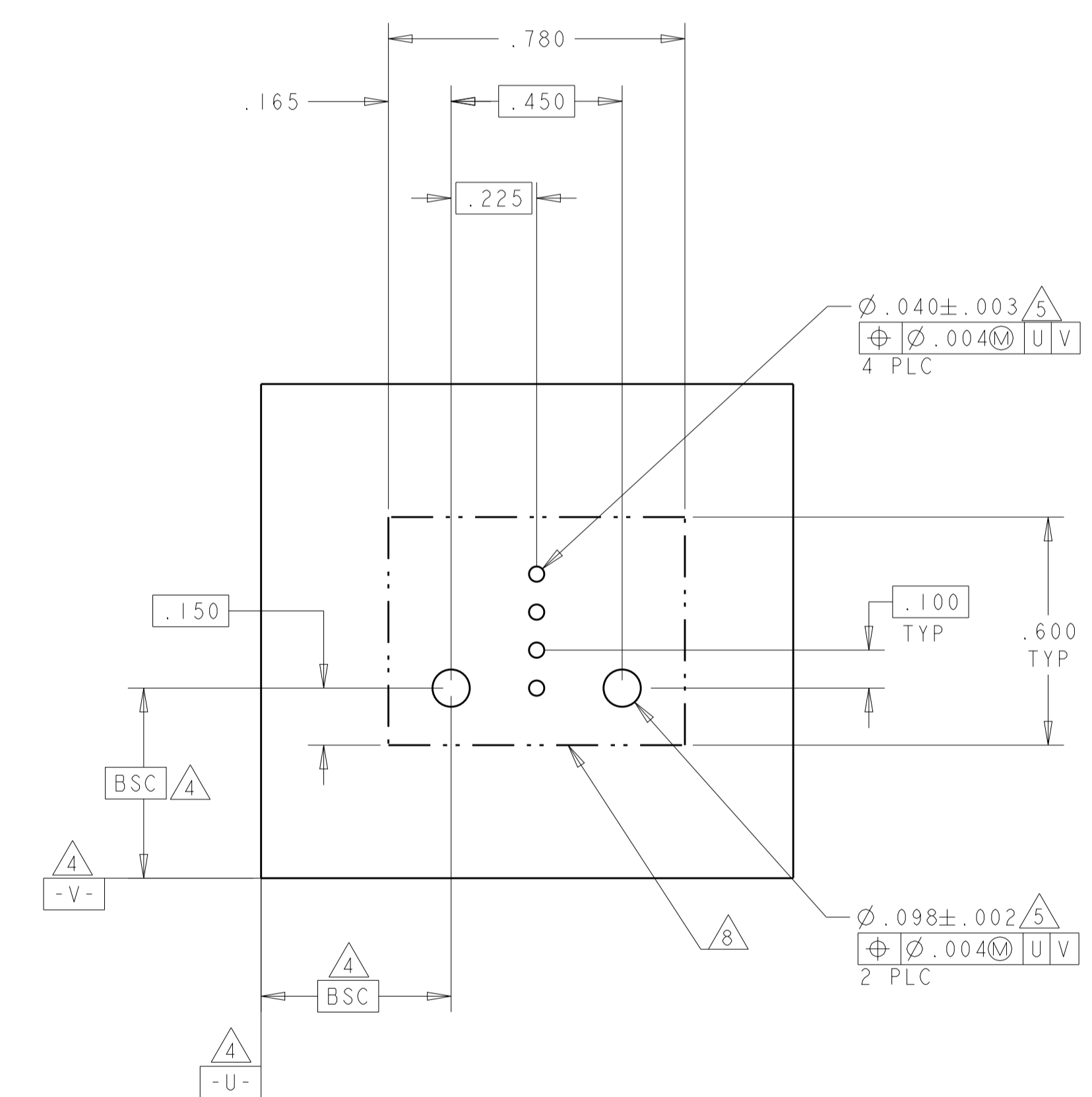
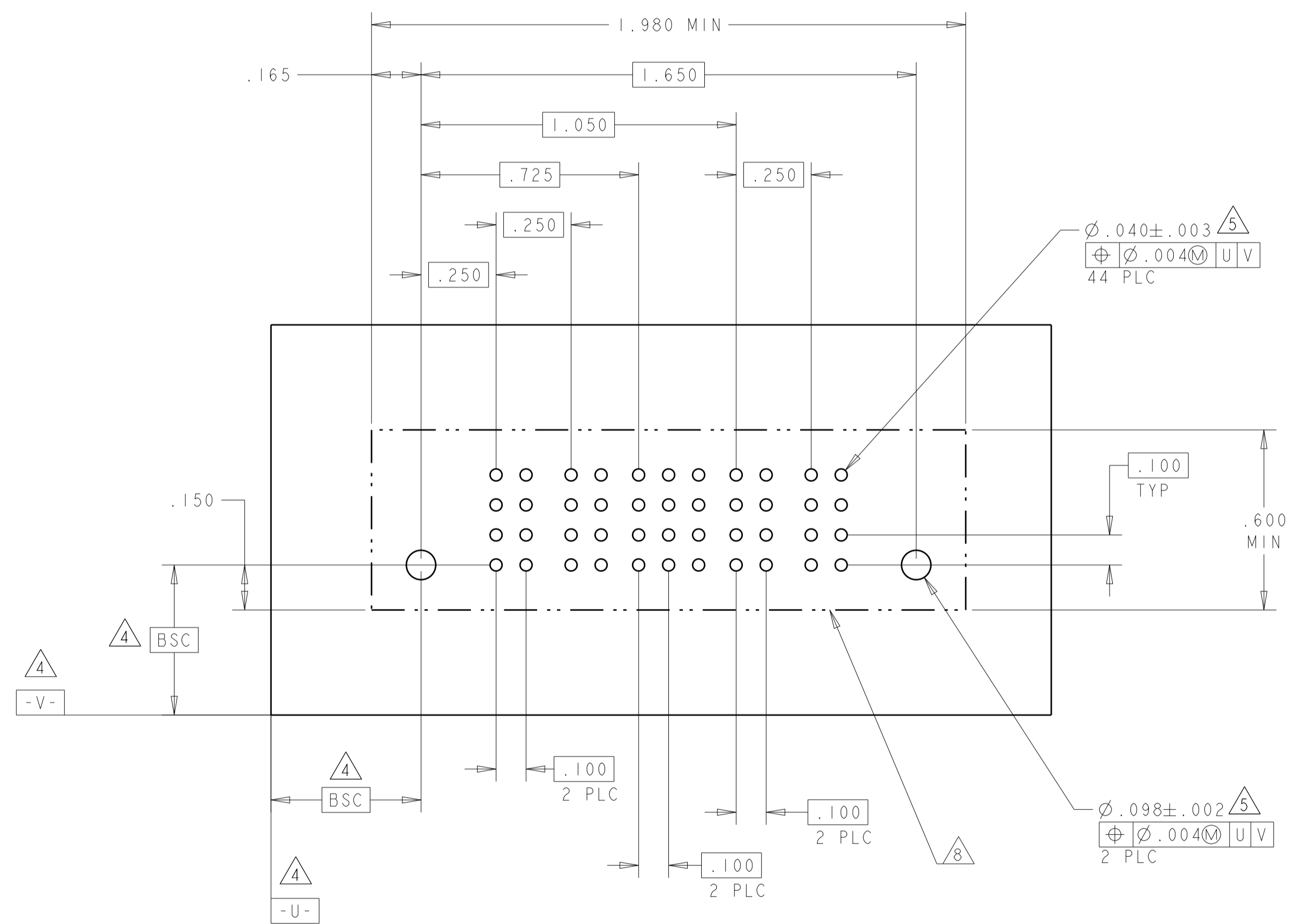
NAME: VERTICAL HEADER ASSEMBLY W/ GUIDES AND SOLDER TAILS MULTI-BEAM XL
 SIZE: A100779 C=6600330
 SCALE: 4:1 SHEET 8 OF 10 REV J7

LOC	DIST	REVISIONS			
P	LTN	DESCRIPTION	DATE	DMN	APVD
ES	00	SEE SHEET 1			

PART NUMBER	ROWS	POWER		SIGNAL			POWER	
		P1	P2	1	2	3	P3	P4
2-6600330-1	D	SZ	SZ	SV	SV	SV	SZ	SZ
	C			SV	SV	SV		
	B			SV	SV	SV		
	A			SV	SV	SV		
2P + 12S + 2P		HD					HD	

PART NUMBER	ROWS	SIGNAL	
		1	
2-6600330-3	D	SV	
	C	SV	
	B	SV	
	A	SV	
4S		HD	HD

J3



THIS DRAWING IS A CONTROLLED DOCUMENT. DWN: J. McCLINTON 22MAR2005
 CHK: D. TROUT 22MAR2005
 APVD: B. WHYNE 22MAR2005

DIMENSIONS: INCH
 TOLERANCES UNLESS OTHERWISE SPECIFIED:
 0 PLC ±
 1 PLC ±
 2 PLC ±
 3 PLC ±.005
 4 PLC ±.0020
 ANGLES ±.0020
 FINISH

MATERIAL: -
 FINISH: -

PRODUCT SPEC: 108-1973
 APPLICATION SPEC: 114-13038
 WEIGHT: -

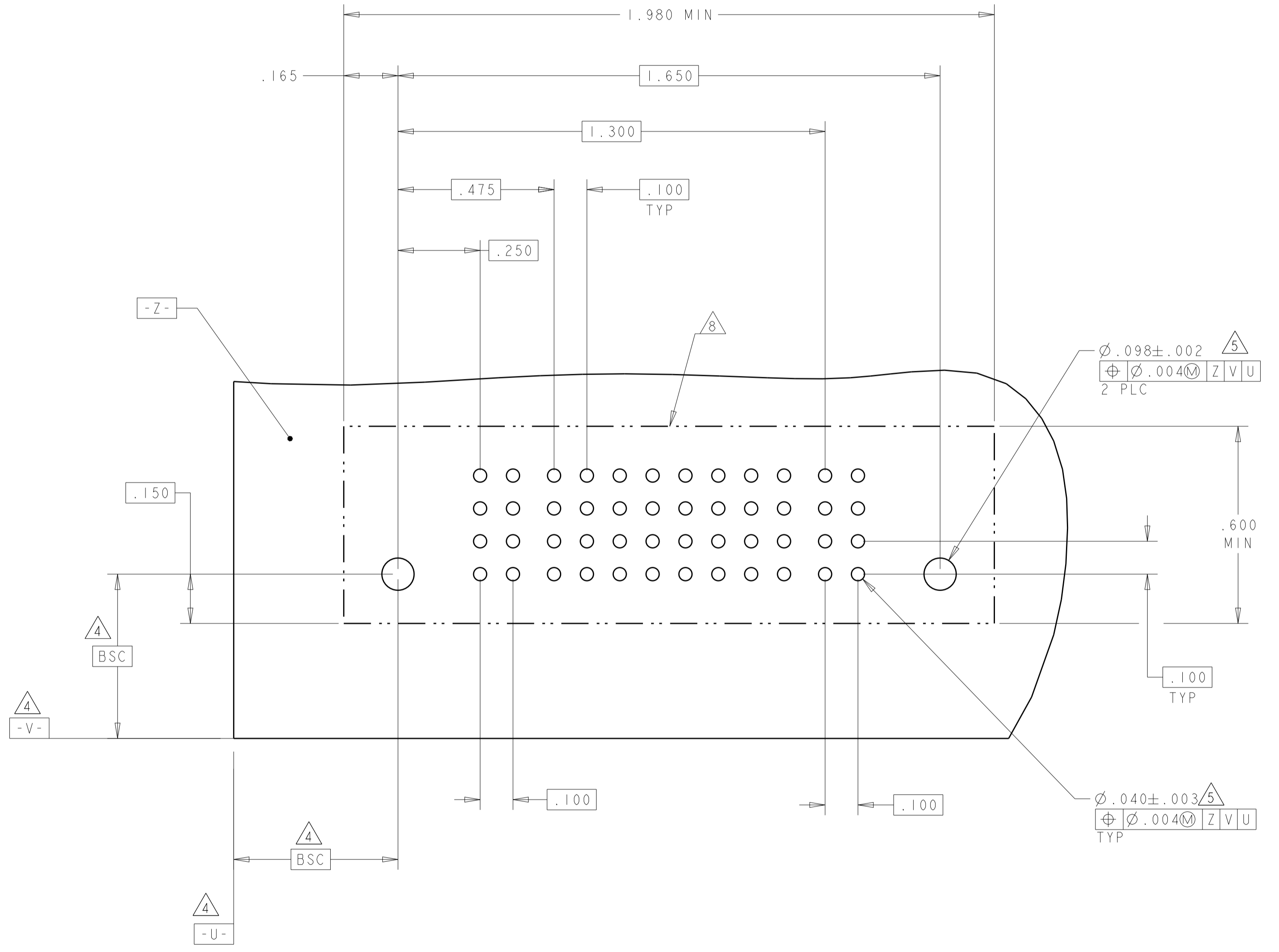
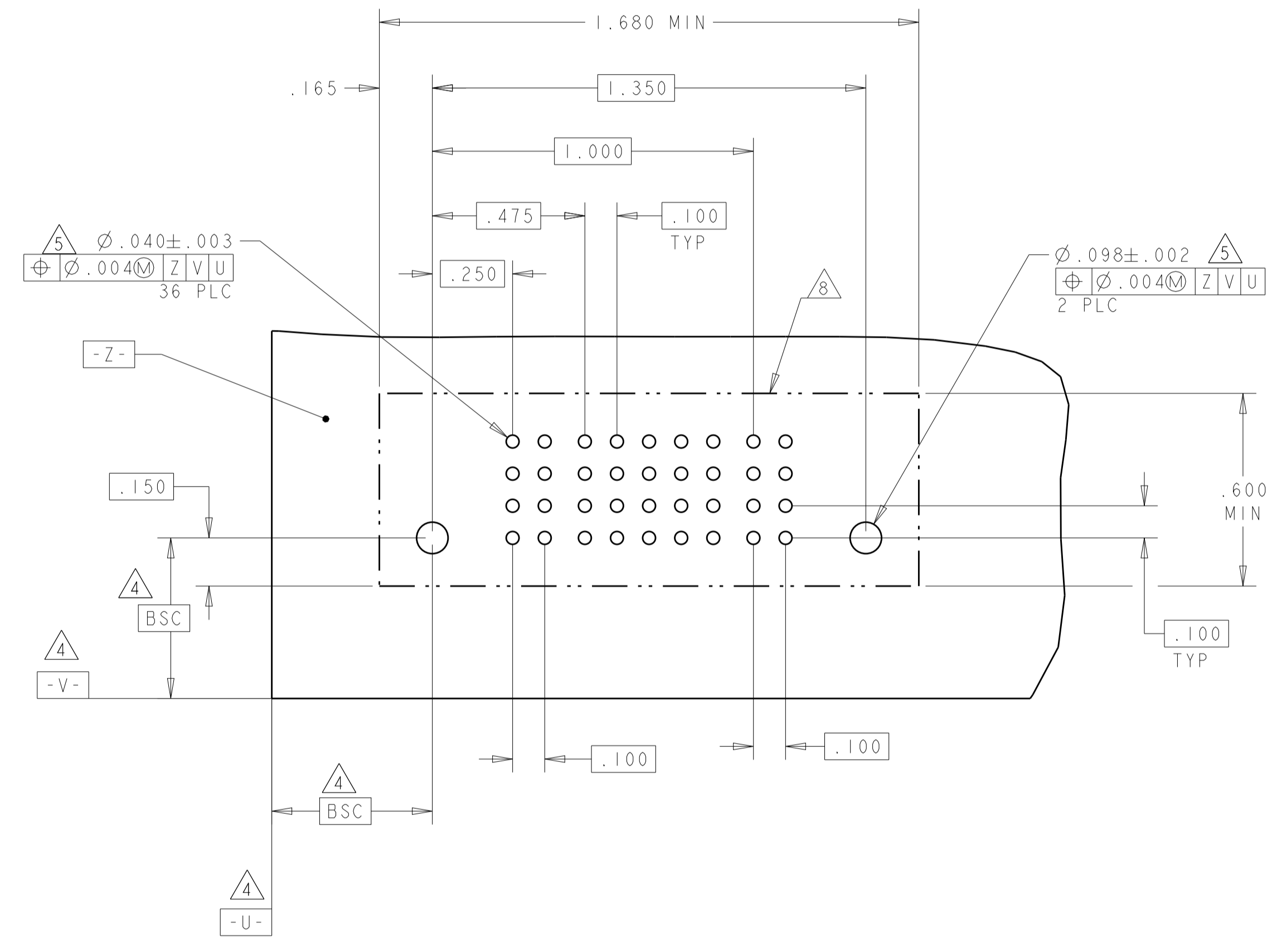
NAME: VERTICAL HEADER ASSEMBLY W/ GUIDES AND SOLDER TAILS MULTI-BEAM XL
 SIZE: A1
 CAGE CODE: 100779
 DRAWING NO: 6600330
 RESTRICTED TO: -

CUSTOMER DRAWING
 SCALE: 4:1
 SHEET: 9 OF 10
 REV: J7

LOC	DIST	REVISIONS			
P	LTN	DESCRIPTION	DATE	DMN	APVD
ES	00	SEE SHEET 1			

PART NUMBER	ROWS	POWER	SIGNAL					POWER	
			PI	1	2	3	4		5
2-6600330-4	D	SZ	SZ	SV	SV	SV	SV	SV	SZ
	C			SV	SV	SV	SV	SV	
	B			SV	SV	SV	SV	SV	
	A			SV	SV	SV	SV	SV	
IP+20S+IP		HD						HD	

PART NUMBER	ROWS	POWER	SIGNAL								POWER		
			PI	1	2	3	4	5	6	7		8	P2
2-6600330-5	D	SZ	SZ	SV	SV	SV	SV	SV	SV	SV	SV	SV	SZ
	C			SV	SV	SV	SV	SV	SV	SV	SV		
	B			SV	SV	SV	SV	SV	SV	SV	SV		
	A			SV	SV	SV	SV	SV	SV	SV	SV		
IP+32S+IP		HD										HD	



THIS DRAWING IS A CONTROLLED DOCUMENT.

DIMENSIONS: INCH	TOLERANCES UNLESS OTHERWISE SPECIFIED: 0 PLC ±. 1 PLC ±. 2 PLC ±. 3 PLC ±.005 4 PLC ±.0020 ANGLES ±. FINISH	DMN J. McCLINTON 22MAR2005 CHK D. TROUT 22MAR2005 APVD B. WHYNE 22MAR2005	NAME PRODUCT SPEC 108-1973 APPLICATION SPEC 114-13038 WEIGHT CUSTOMER DRAWING	SIZE CAGE CODE DRAWING NO A100779C=6600330	RESTRICTED TO
---------------------	--	---	---	---	---------------

SCALE 4:1 SHEET 10 OF 10 REV J7