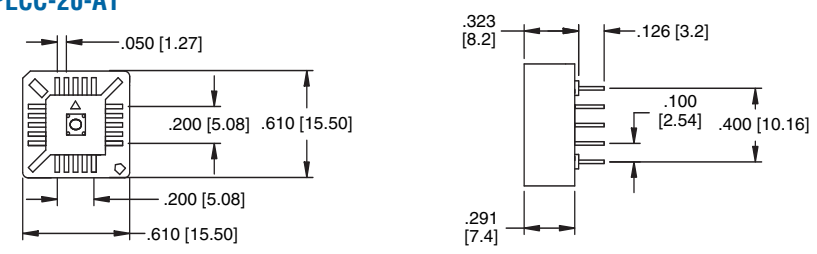
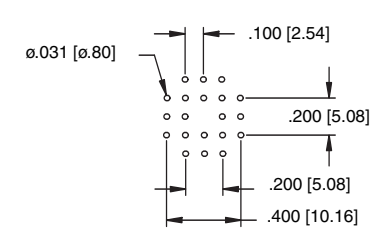
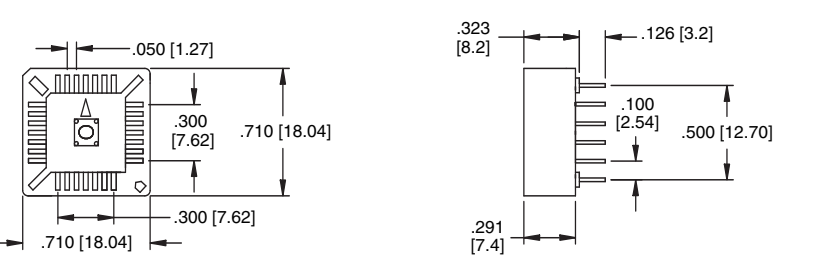
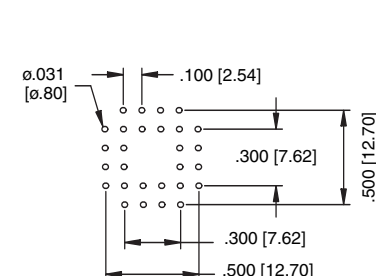
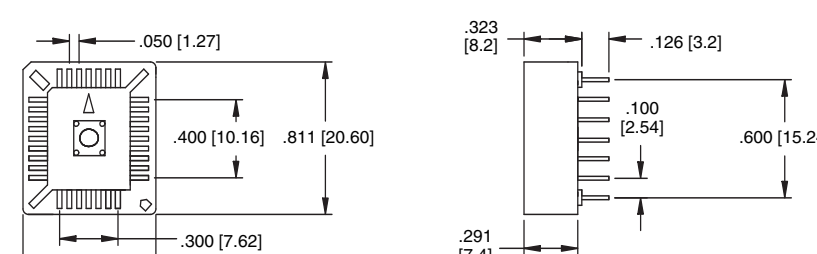
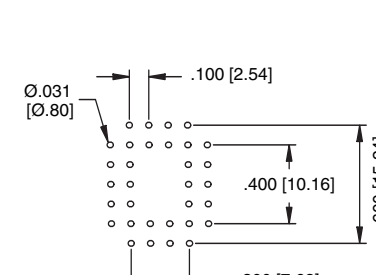
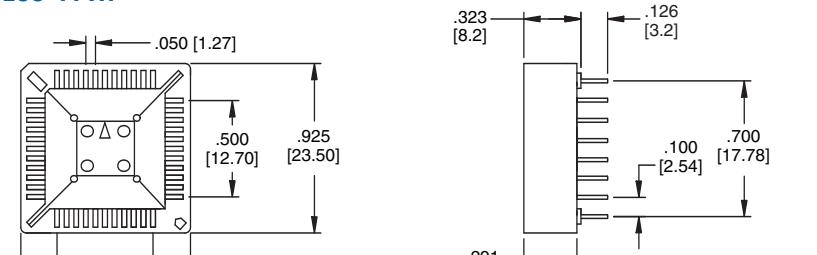
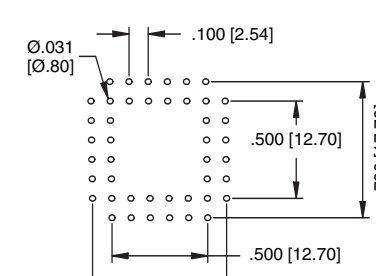
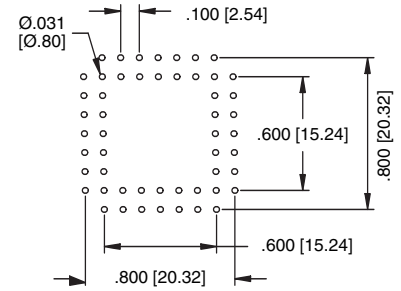
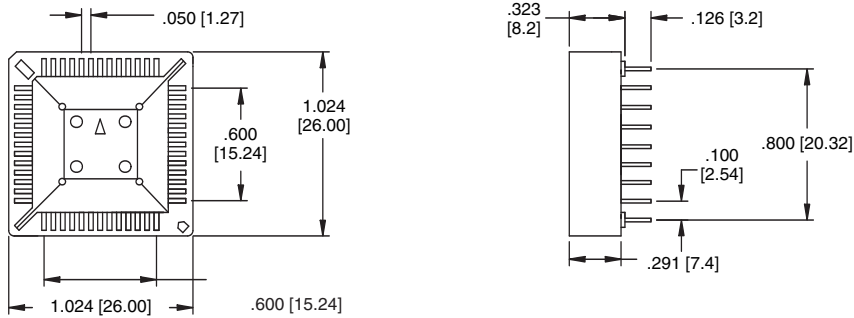


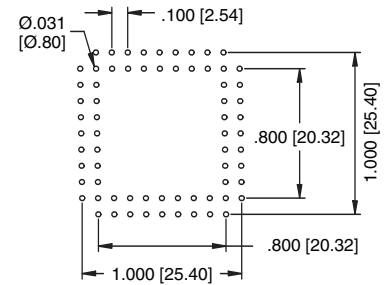
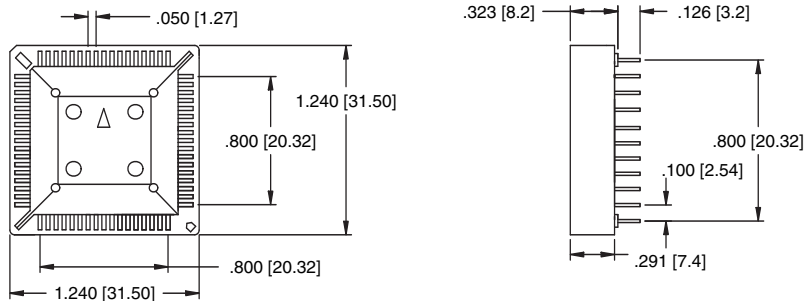
<p><b>PLCC-20-AT</b></p> 	 <p><b>Recommended PCB Layout</b></p>
<p><b>PLCC-28-AT</b></p> 	 <p><b>Recommended PCB Layout</b></p>
<p><b>PLCC-32-AT</b></p> 	 <p><b>Recommended PCB Layout</b></p>
<p><b>PLCC-44-AT</b></p> 	 <p><b>Recommended PCB Layout</b></p>

## PLCC-52-AT



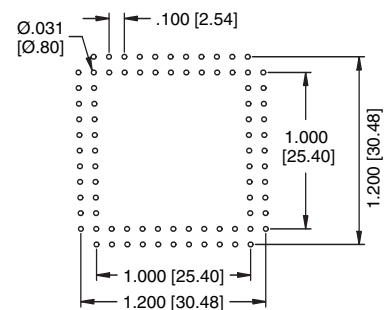
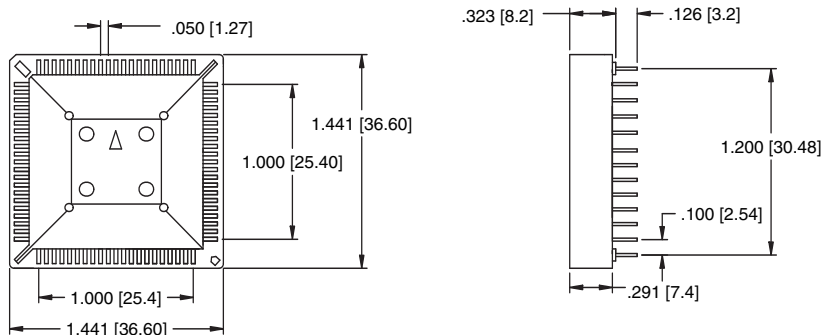
Recommended PCB Layout

## PLCC-68-AT



Recommended PCB Layout

## PLCC-84-AT



Recommended PCB Layout