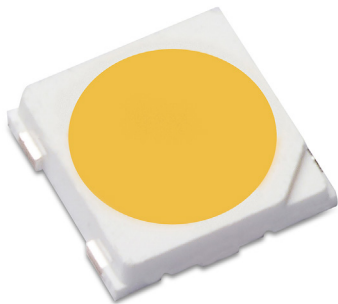




LUXEON 3535L with CrispColor Technology™

Fashion retail lighting that makes an impact, highlighting rich colors and increasing contrast



LUXEON 3535L with CrispColor Technology is the ultimate solution that makes fabrics come to life. With efficient solid state lighting technology, the contrast of colors has never been so vivid. Our special phosphor technology has created a higher gamut color rendering than existing solutions with a specific color point below the Black Body Line to allow for Class A products. Combined with industry leading performance in a common 3535L platform, LUXEON 3535L with CrispColor Technology creates a highly impactful retail experience with all of the advantages of LUXEON 3535L, including leading performance, lower voltage, higher driving current, and excellent reliability.

FEATURES AND BENEFITS

Industry standard footprint for drop-in replacement designs

Maximum drive current of up to 240mA allows for reduction of LED count

3- and 5-step MacAdam ellipse color kits available

PRIMARY APPLICATIONS

Downlights

Indoor Area Lighting

- TLEDs
- Troffers

Lamps

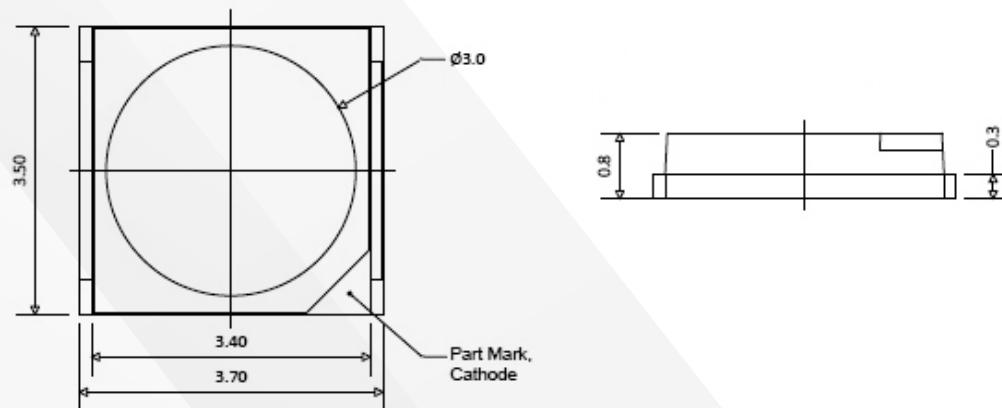
LUXEON 3535L with CrispColor Technology product performance at 100mA and 65mA, T_j=25°C.

PRODUCT	NOMINAL CCT ^[1]	MINIMUM CRI ^[2, 3]	LUMINOUS FLUX ^[2] (lm)		TYPICAL LUMINOUS EFFICACY (lm/W)	TYPICAL LUMINOUS FLUX (lm)	TYPICAL LUMINOUS EFFICACY (lm/W)	PART NUMBER
			MINIMUM	TYPICAL				
						100mA		
LUXEON 3535L HE	2700K	90	28	32	113	22	121	L135-27HGCA35000H0
	3000K	90	32	36	127	24	132	L135-30HGCA35000H0
	3250K	90	34	38	134	26	143	L135-33HGCA35000H0
	3500K	90	34	38	134	26	143	L135-35HGCA35000H0
	4000K	90	36	39	137	27	149	L135-40HGCA35000H0
	5000K	90	36	40	141	27	149	L135-50HGCA35000H0

Notes:

1. Correlated color temperature is based upon mounted die on highly reflective surface at T_j=85°C.
2. Typical CRI is approximately 2 points higher than the minimum CRI specified, but this is not guaranteed.
3. Lumileds maintains a tolerance of ±2 on CRI and ±6.5% on luminous flux measurements.

Mechanical Dimensions.



Notes:

1. Drawings are not to scale.
2. All dimensions are in millimeters.