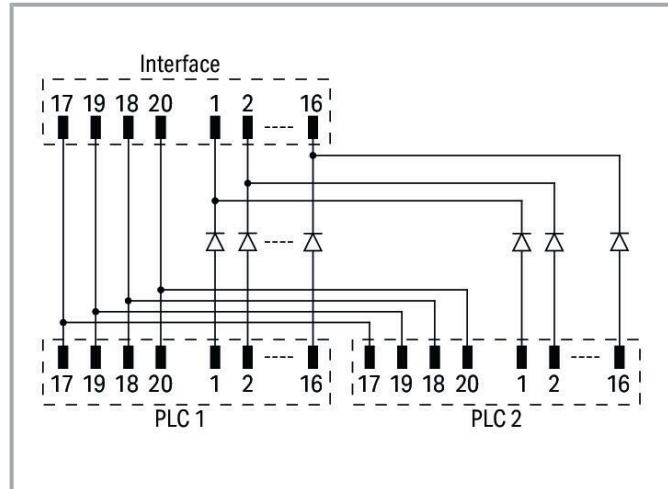
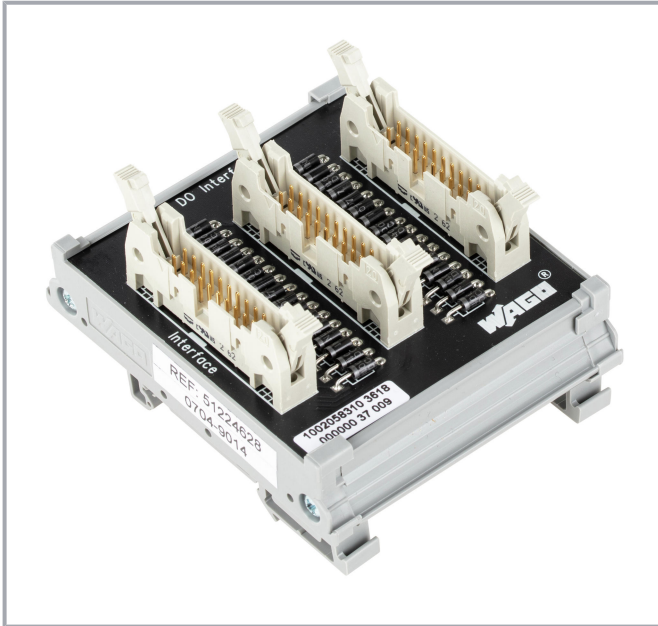


Data sheet | Item number: 704-9014

Interface module for system wiring; Pluggable connector per DIN 41651; Male connector; 20-pole; Redundancy module for control outputs; in mounting carrier

www.wago.com/704-9014



Data

Electrical data

Inputs/outputs	16-channel digital output
Nominal operating voltage	DC 24 V
Limiting continuous current	1 A

Safety and protection

Rated voltage	50 V
Rated surge voltage	0.8 kV
Pollution degree	2

Connection data

Connection type (1)	System
Pole number 1	20
Pluggable connectors	DIN 41651 male connector
Pole number 2	20

Subject to changes. Please also observe the further product documentation!

WAGO GmbH & Co. KG
Hansastr. 27
32423 Minden
Phone: +49571 887-0 | Fax: +49571 887-169
Email: info.de@wago.com | Web: www.wago.com

Do you have any questions about our products?
We are always happy to take your call at +49 (571) 887-44222.



Pole number 3	20
---------------	----

Physical data

Width	70 mm / 2.755 inch
Height	85 mm / 3.345 inch
Depth from upper edge of DIN-rail	45 mm / 1.771 inch

Mechanical data

Mounting type	DIN-35 rail
---------------	-------------

Material data

Fire load	0.927 MJ
Weight	69.9 g

Environmental requirements

Surrounding air temperature (operation)	-20 ... 50 °C
Surrounding air temperature (storage)	-40 ... 70 °C
Relative humidity	85% (non-condensing)

Commercial data

PU (SPU)	1 Stück
Packaging type	box
Country of origin	DE
GTIN	4055143982719
Customs tariff number	85369010000

Downloads**Documentation****System Description**

WAGO System Wiring, Selection Guide

This guide will help you select the appropriate interface modules and system cables for the controller you are using.

pdf
545.9 kB
Download

Subject to changes. Please also observe the further product documentation!



Environmental Product Compliance

Compliance Search

Environmental Product Compliance 704-9014

URL

Download

Interface module for system wiring; Pluggable connector per DIN 41651; Male connector; 20-pole; Redundancy module for control outputs; in mounting carrier

Installation Notes

Subject to changes. Please also observe the further product documentation!

WAGO GmbH & Co. KG

Hansastr. 27

32423 Minden

Phone: +49571 887-0 | Fax: +49571 887-169

Email: info.de@wago.com | Web: www.wago.com

Do you have any questions about our products?

We are always happy to take your call at +49 (571) 887-44222.