

BAND PASS FILTER

SURFACE MOUNT MODEL FIS-60

OPTIMIZED BANDWIDTH

F_c = 60 MHz

SPECIFICATIONS:

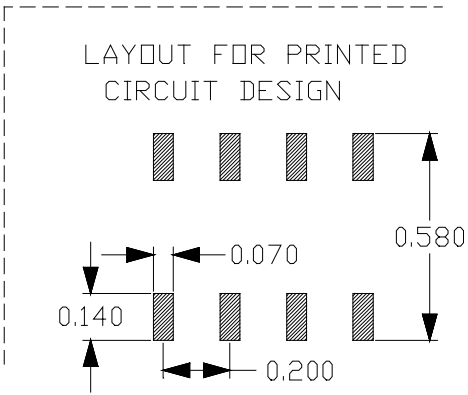
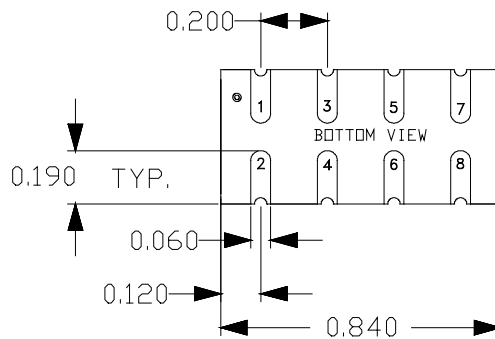
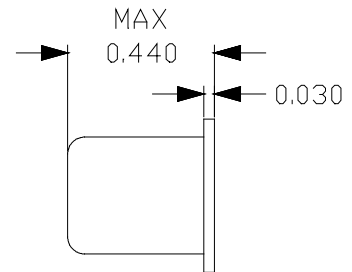
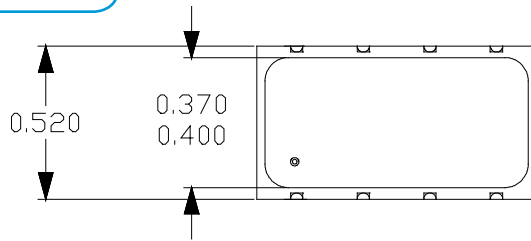
Center Frequency: 60 MHz
Passband I. Loss : 1.5 dB (Max)
Passband: 54.9 - 65.1 MHz
20 dB Bandwidth : 42.0 - 78.0 MHz

40 dB Bandwidth : 19.0 - 180 MHz
Power Rating: 1 Watt (Max)
Impedance : 50 Ohms
Operating Temp. Range: -20° to +70° C



MECHANICAL OUTLINE:102S

PIN-OUT	
Input	1
Output	8
Case Ground - All Others	



BAND PASS FILTER

SURFACE MOUNT MODEL FIS-60

OPTIMIZED BANDWIDTH

$F_c = 60 \text{ MHz}$

PERFORMANCE PLOTS

