

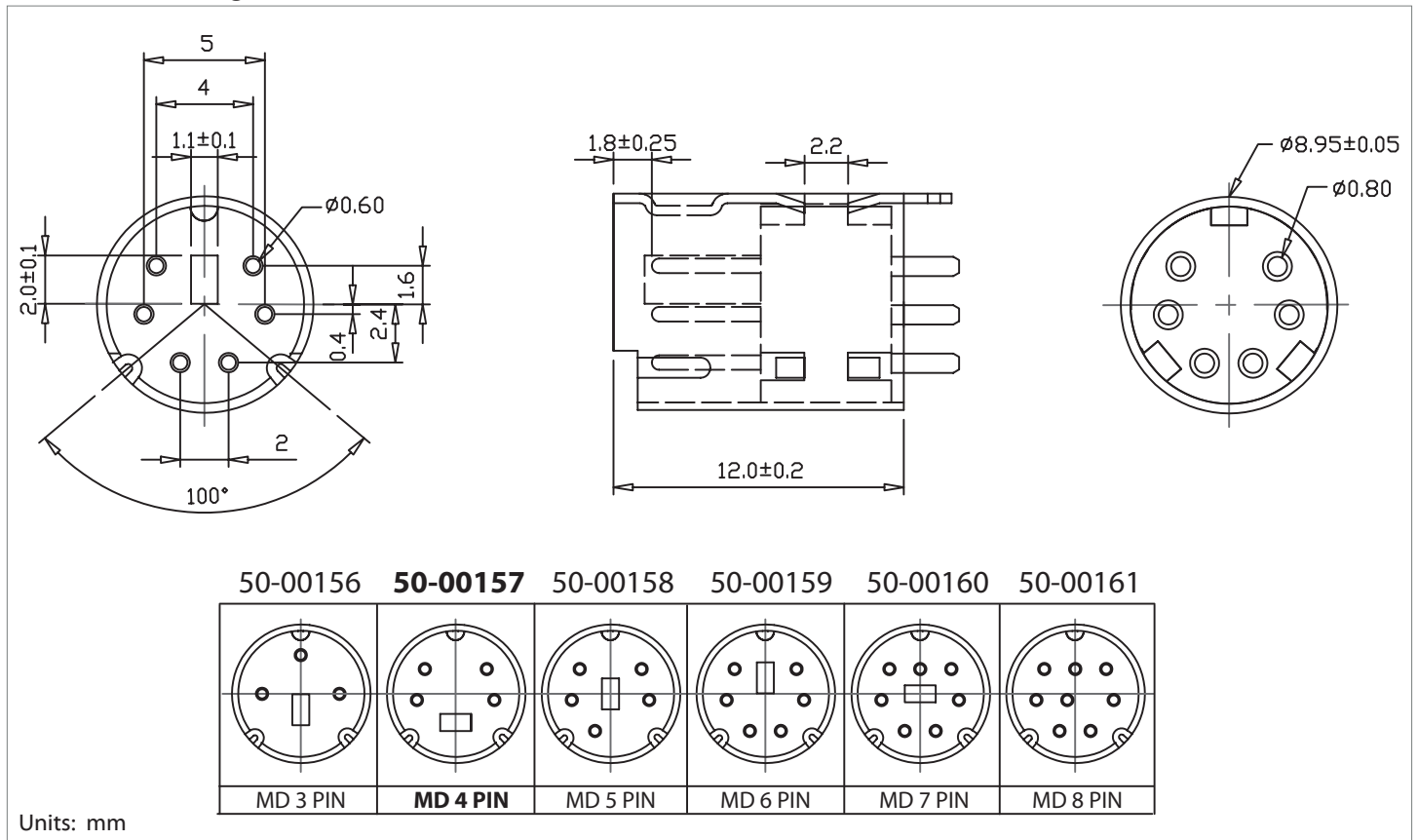
Materials:

shell	brass, nickel-plated, 3 µm min.
insulator	PBT
pin	brass, silver-plated
rating	100 Vac, 1 A max., or 12 Vdc, 2 A max,
insulation resistance	50 mOhms min @ 250 Vdc
dielectric strength	250 Vac/1 minute
operating temperature	-55°C to + 85°C

Notes:

RoHS compliant

Mechanical drawing:



tolerance X: ±0.5 mm .X: ±0.3 mm .XX: ±0.05 mm
 applicable unless otherwise indicated in specification or on drawings

Initial	Date
---------	------

Revision notes:

Rev	Date	Description
A	November 29, 2011	initial release
A1	April 23, 2012	updated to 50-00157 only

Specification Approval

Spec sign-off verifies that you have reviewed the entire specification, tested a sample of the product, and confirm that it meets your requirements. This specification reflects the part as it will be ordered. Orders will not be processed until the specification pages have been initialed and the approval page has been signed. This specification is confidential and is not to be transmitted without prior approval from Tensility.

Signature _____

Title _____

Name _____

Date _____

Company _____

Branch _____