

THE INFORMATION CONTAINED HEREIN IS CONSIDERED "PROPRIETARY" TO BEL FUSE INC. AND SHALL NOT BE COPIED, REPRODUCED OR DISCLOSED WITHOUT THE WRITTEN APPROVAL OF BEL FUSE INC.

LED1 POLARITY			LED2 POLARITY		
PIN 27	PIN 28	COLOR	PIN 29	PIN 30	COLOR
-	+	GREEN	+	-	YELLOW
			-	+	GREEN

PRELIMINARY

ELECTRICAL CHARACTERISTICS @ 25°C

URNS RATIO

TP1	1CT : 1CT ±2%
TP2	1CT : 1CT ±2%
TP3	1CT : 1CT ±2%
TP4	1CT : 1CT ±2%

OCL @ 100kHz,100mVRMS

8mA DC BIAS 350 uH MIN.

INS. LOSS

100kHz TO 100MHZ -1.1 dB MAX

RET. LOSS (MIN)

1MHz-30MHz	-18 dB
30MHz-60MHz	-16 dB
60MHz-80MHz	-14 dB
80MHz-100MHz	-12 dB

CM TO CM REJ

100kHz - 100MHZ -25 dB TYP

CROSS TALK

1MHz - 60MHz	-35 dB TYP
60MHz - 100MHz	-25 dB TYP

HIPOT (Isolation Voltage):

1500 Vrms

LEAKAGE INDUCTANCE

PRIMARY W/ SECONDARY SHORTED 0.3uH Max. @ 1MHz

INTERWINDING CAPACITANCE

PER CHANNEL (PRI. TO SEC.) 50pF Max @ 1MHz

DC RESISTANCE

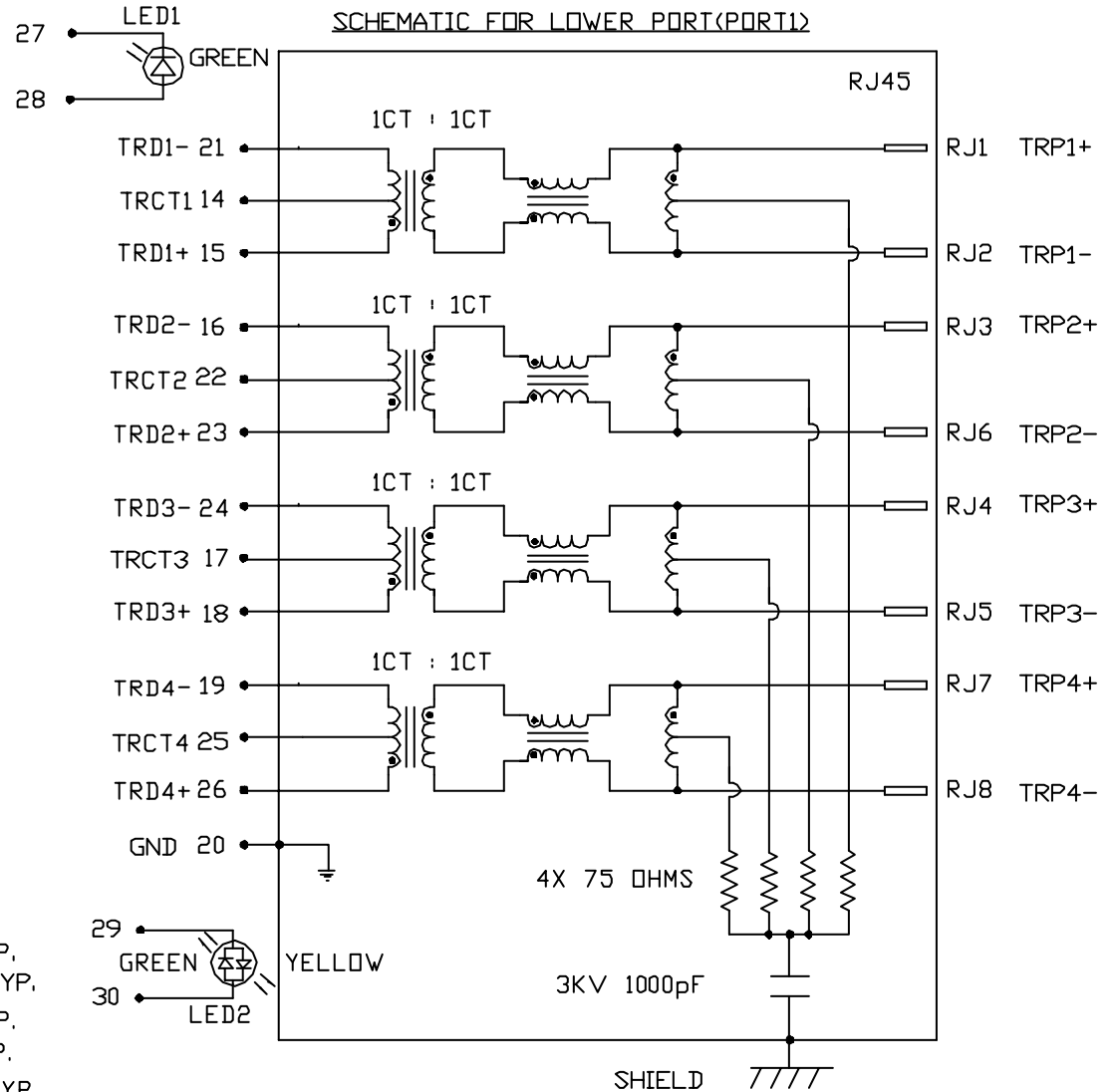
(21-15)=(16-23)=(24-18)=(19-26)	1.2 ohms Max
(RJ1-RJ2)=(RJ3-RJ6)=(RJ4-RJ5)=(RJ7-RJ8)	1.2 ohms Max

LED 1

VF (FORWARD VOLTAGE)	IF=20mA	GREEN	2.2V TYP.
λD (DOMINANT WAVELENGTH)	IF=20mA	GREEN	565nm TYP.

LED 2

VF (FORWARD VOLTAGE)	IF=20mA	GREEN	2.2V TYP.
λD (DOMINANT WAVELENGTH)	IF=20mA	YELLOW	2.1V TYP.
	IF=20mA	GREEN	565nm TYP.
	IF=20mA	YELLOW	590nm TYP.



DRWN	DATE	TITLE
CHUN	09-14-04	2X1 glgabt MagJack™ (with LED)
CHKD	DATE	
CHUNG	09-14-04	

PART NO. / DRAWING NO.	0845-2R1T-J2
FILE NAME	08452R1TJ2PA.DWG

STANDARD DIM. TOL. IN INCH		[] METRIC DIM. AS REFERENCE	
.X		UNIT : INCH [mm]	REV. : PA
.XX		SCALE : N/A	SIZE : A4
.XXX			PAGE : 2



THE INFORMATION CONTAINED HEREIN IS CONSIDERED "PROPRIETARY" TO BEL FUSE INC. AND SHALL NOT BE COPIED, REPRODUCED OR DISCLOSED WITHOUT THE WRITTEN APPROVAL OF BEL FUSE INC.

LED3 POLARITY			LED4 POLARITY		
PIN 31	PIN 32	COLOR	PIN 33	PIN 34	COLOR
-	+	GREEN	+	-	YELLOW/GREEN
			-	+	GREEN

PRELIMINARY

ELECTRICAL CHARACTERISTICS @ 25°C

URNS RATIO

TP1	1CT : 1CT ±2%
TP2	1CT : 1CT ±2%
TP3	1CT : 1CT ±2%
TP4	1CT : 1CT ±2%

QCL @ 100kHz,100mVRMS

8mA DC BIAS 350 uH MIN.

INS. LOSS

100KHz TO 100MHZ -1.1 dB MAX

RET. LOSS (MIN)

1MHz-30MHz	-18 dB
30MHz-60MHz	-16 dB
60MHz-80MHz	-14 dB
80MHz-100MHz	-12 dB

CM TO CM REJ

100kHz - 100MHZ -25 dB TYP

CROSS TALK

1MHz - 60MHz	-35 dB TYP
60MHz - 100MHz	-25 dB TYP

HIPOT (Isolation Voltage)

1500 Vrms

LEAKAGE INDUCTANCE

PRIMARY W/ SECONDARY SHORTED 0.3uH Max. @ 1MHz

INTERWINDING CAPACITANCE

PER CHANNEL (PRI. TO SEC.) 50pF Max @ 1MHz

DC RESISTANCE

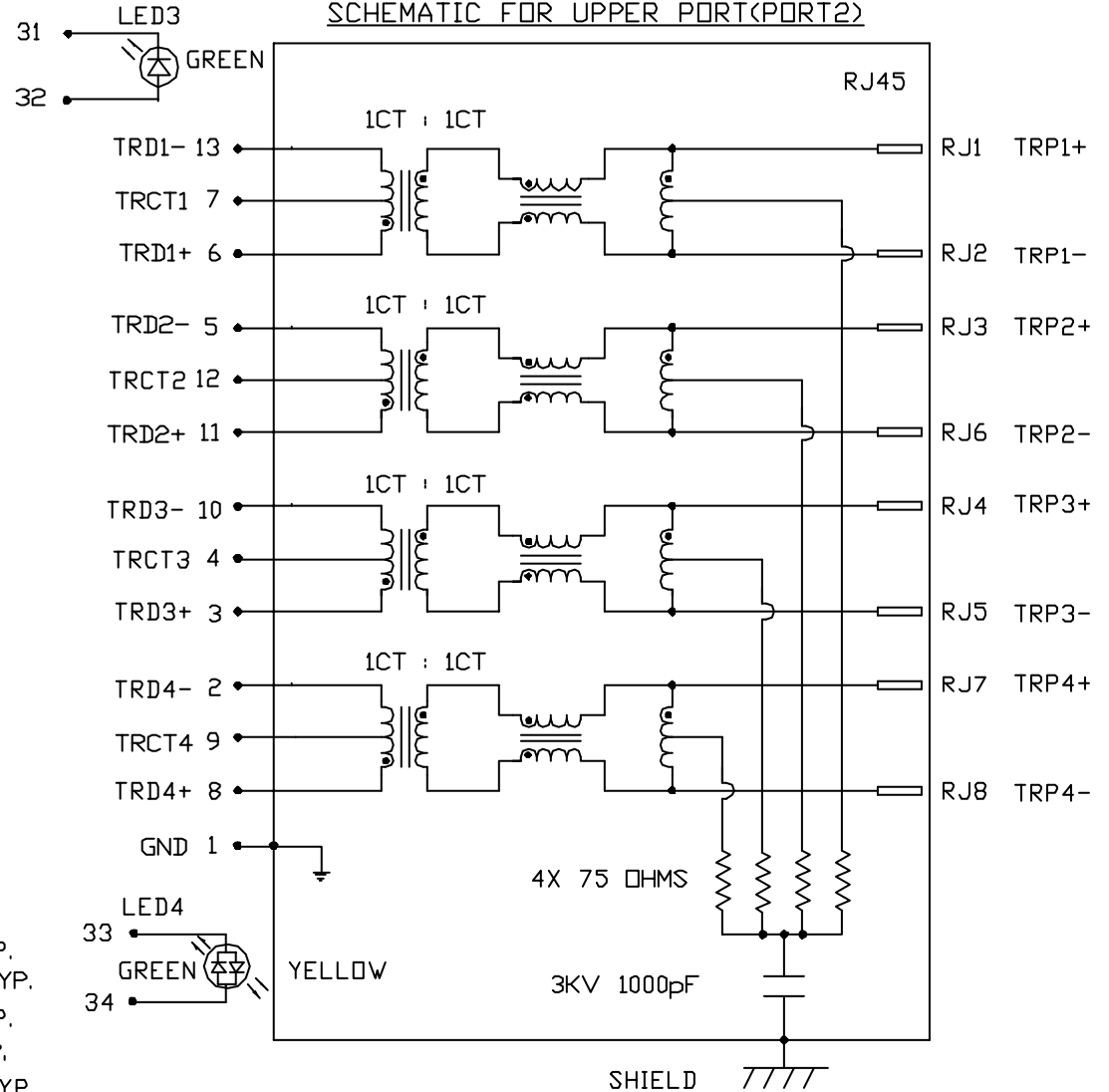
(13-6)=(5-11)=(10-3)=(2-8)	1.2 ohms Max
(RJ1-RJ2)=(RJ3-RJ6)=(RJ4-RJ5)=(RJ7-RJ8)	1.2 ohms Max

LED 3

VF (FORWARD VOLTAGE)	IF=20mA	GREEN	2.2V TYP.
λD (DOMINANT WAVELENGTH)	IF=20mA	GREEN	565nm TYP.

LED 4

VF (FORWARD VOLTAGE)	IF=20mA	GREEN	2.2V TYP.
λD (DOMINANT WAVELENGTH)	IF=20mA	GREEN	565nm TYP.
		YELLOW	2.1V TYP.
		YELLOW	590nm TYP.



DRWN	DATE	TITLE
CHUN	09-14-04	2X1 glgabt MagJack™ (with LED)
CHKD	DATE	
CHUNG	09-14-04	

PART NO. / DRAWING NO.
0845-2R1T-J2
FILE NAME
08452R1TJ2PA.DWG

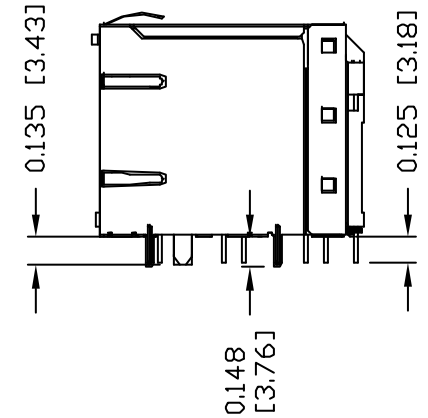
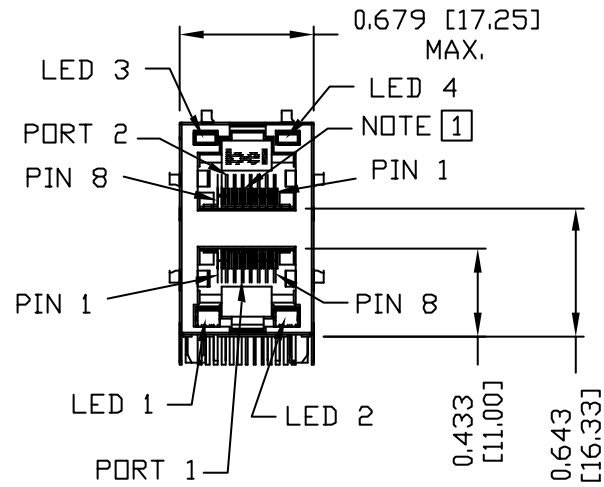
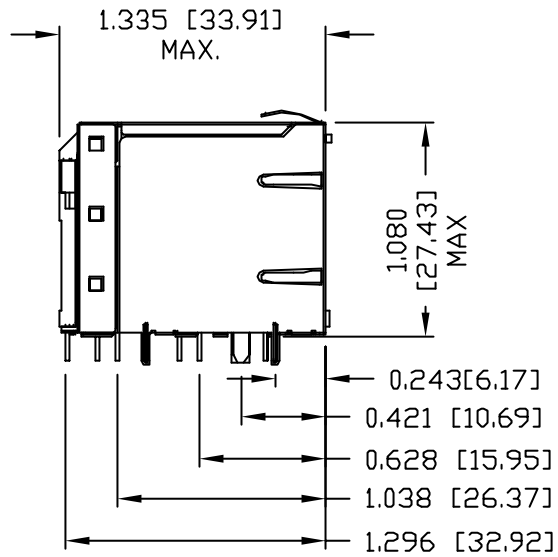
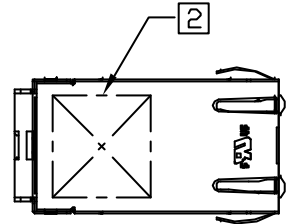
STANDARD DIM.	[] METRIC DIM. AS REFERENCE	
TOL. IN INCH	UNIT : INCH [mm]	REV. : PA
.X		
.XX	SCALE : N/A	SIZE : A4
.XXX		PAGE : 3

UNIT : INCH [mm]	REV. : PA
SCALE : N/A	SIZE : A4
PAGE : 3	



THE INFORMATION CONTAINED HEREIN IS CONSIDERED "PROPRIETARY" TO BEL FUSE INC. AND SHALL NOT BE COPIED, REPRODUCED OR DISCLOSED WITHOUT THE WRITTEN APPROVAL OF BEL FUSE INC.

PRELIMINARY



NOTES:

PLASTIC HOUSING: THERMOPLASTIC PBT
 FLAMMABILITY RATING UL 94V-0
 CONTACT PLATING: 50 MICRO-INCH HARD GOLD PLATING
 OUTPUT PINS: TIN-COATED COPPER WIRE, DIA 0.018 INCH.
 METAL SHIELD: NICKEL PLATED COPPER ALLOY.
 (ALL GROUND LEADS ARE SOLDER DIPPED)

RoHS COMPLIANCE, PER EU DIRECTIVE 2002/95/EC.

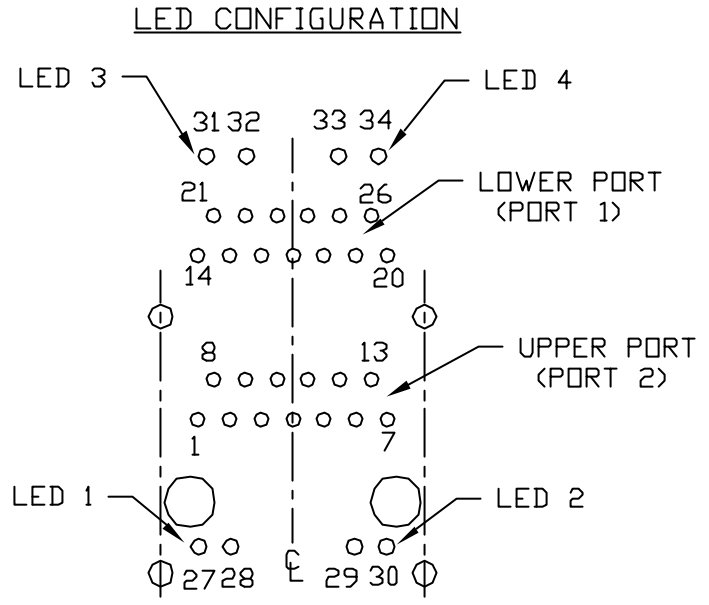
- 1. JACK CAVITY CONFORMS TO FCC RULES AND REGULATIONS, PART 68 SUBPART F.
- 2. MARK PART WITH MFG LOGO, MFG NAME, PART NUMBER, AND DATE CODE.

UL US UL RECOGNIZED - FILE #E196366 AND E169987.

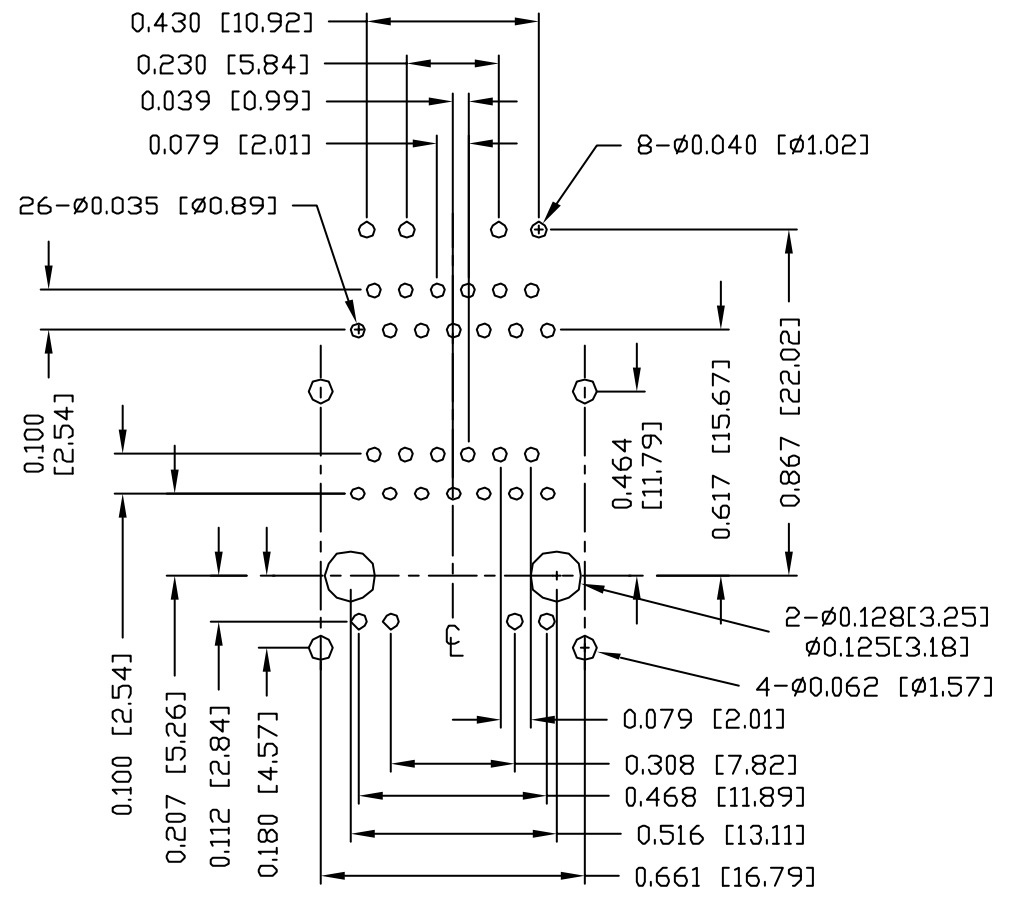
DRWN	DATE	TITLE	PART NO. / DRAWING NO.	STANDARD DIM. TOL. IN INCH		[] METRIC DIM. AS REFERENCE		REV. : PA	bel
				.X	.XX	.XXX	UNIT : INCH [mm]		
BAD	09-14-04	2X1 gigabit MagJack™ (with LED)	0845-2R1T-J2						COMPONENTS FOR A CONNECTED PLANET™
CHKD	DATE		FILE NAME						
KEUNG	09-14-04		08452R1TJ2PA.DWG		±0.010			PAGE : 4	

THE INFORMATION CONTAINED HEREIN IS CONSIDERED "PROPRIETARY" TO BEL FUSE INC. AND SHALL NOT BE COPIED, REPRODUCED OR DISCLOSED WITHOUT THE WRITTEN APPROVAL OF BEL FUSE INC.

PRELIMINARY



PIN-OUT INFORMATION
(COMPONENT SIDE VIEW)
(SCALE 2:1)

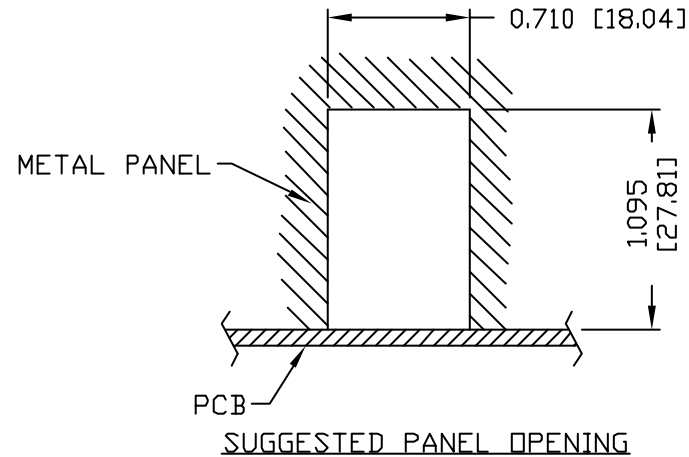
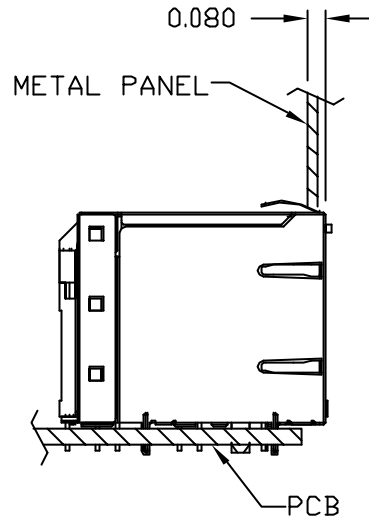


SUGGESTED FOOTPRINT
(COMPONENT SIDE VIEW)
(SCALE 2:1)

DRWN BAO	DATE 09-14-04	TITLE 2X1 gigabit MagJack™ (with LED)	PART NO. / DRAWING NO. 0845-2R1T-J2	STANDARD DIM. TOL. IN INCH		[] METRIC DIM. AS REFERENCE		REV. : PA	bel COMPONENTS FOR A CONNECTED PLANET™
	CHKD KEUNG			DATE 09-14-04	FILE NAME 08452R1TJ2PA.DWG	.X .XX .XXX	±0.010		

THE INFORMATION CONTAINED HEREIN IS CONSIDERED "PROPRIETARY" TO BEL FUSE INC. AND SHALL NOT BE COPIED, REPRODUCED OR DISCLOSED WITHOUT THE WRITTEN APPROVAL OF BEL FUSE INC.

PRELIMINARY



NOTE:

THE DISTANCE OF PANEL INSIDE SURFACE RELATIVE TO FRONT SURFACE OF PART IS ONLY A SUGGESTION. IN CASE THIS DISTANCE IS DIFFERENT, THE REQUIRED PANEL OPENING DIMENSIONS CHANGE ACCORDINGLY.

PACKING INFORMATION

PACKING TRAY: 0200-9999-H5 (TOP)
0200-9999-H6 (BOTTOM)

PACKING QUANTITY: 40 PCS FINISHED GOODS PER TRAY
6 TRAYS (240 PCS FINISHED GOODS) PER CARTON BOX.

NOTE: CARDBOARD ARE PLACED BETWEEN LAYERS OF PACKING TRAY INSIDE CARTON BOX.
(INCLUDE THE UPPERMOST AND LOWEREST TRAY)

DRWN BAO	DATE 09-14-04	TITLE 2X1 glgabit MagJack™ (with LED)	PART NO. / DRAWING NO. 0845-2R1T-J2	STANDARD DIM. TOL. IN INCH		[] METRIC DIM. AS REFERENCE		REV. : PA	bel COMPONENTS FOR A CONNECTED PLANET™
				.X	/	UNIT : INCH [mm]	SCALE : N/A		
CHKD KEUNG	DATE 09-14-04		FILE NAME 08452R1TJ2PA.DWG	.XX	/				
				.XXX	±0.005			PAGE : 6	