

**Ultra-Miniature
Series 140-074
CostSaver Composite
Junction Box**

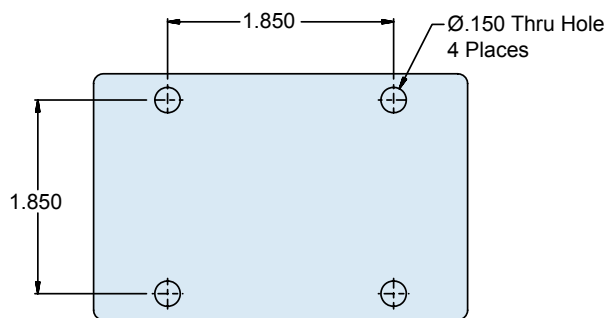
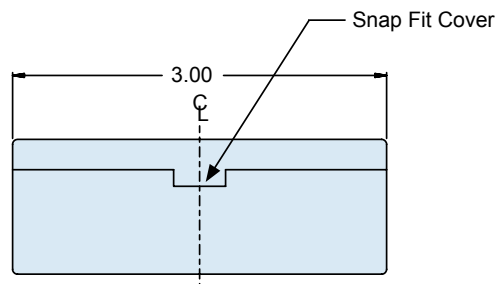
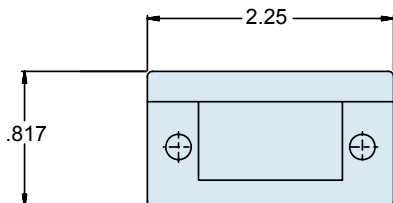
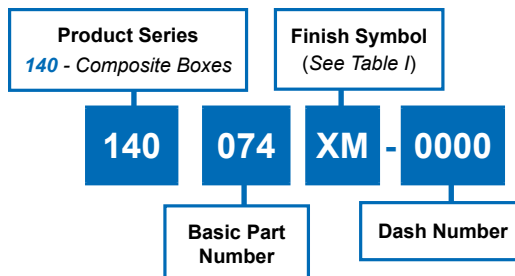


TABLE I

Symbol	Finish Description
XM	Electroless Nickel
XO	No Plating (Non-Conductive Finish)
XMT	2000 Hour Corrosion Resistant Ni-PTFE, Nickel-Fluorocarbon Polymer. 1000 Hour Grey™
XMC	Electroless Nickel per Lockheed Martin Specification FPS-3084

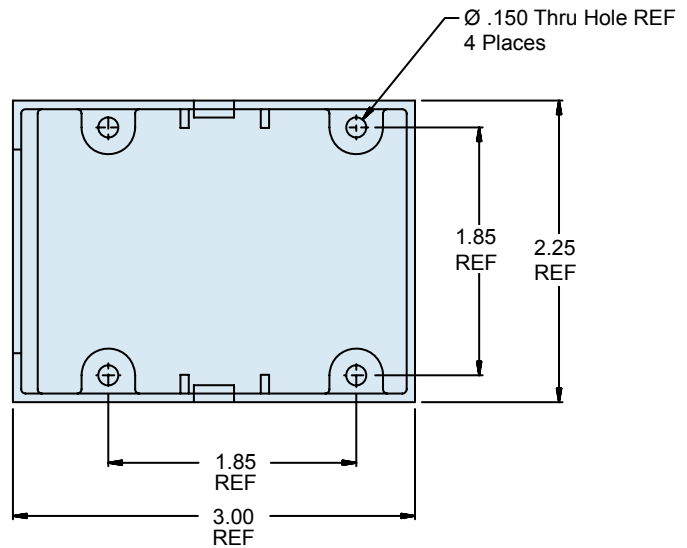
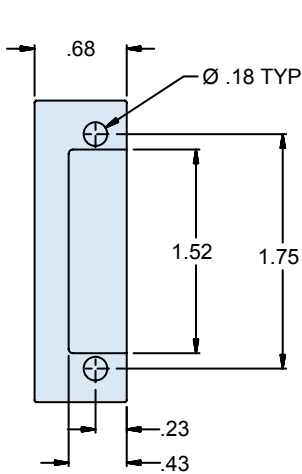
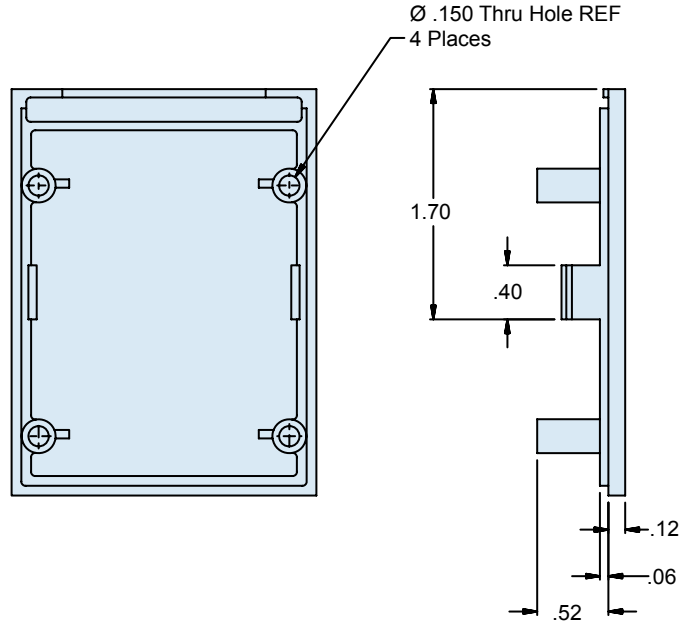
NOTES

1. Use dash number 0000 for basic box with no additional options beyond your specified finish.
2. Box accommodates 1" MTC connector.
3. Metric dimensions (mm) are indicated in parentheses and are for reference only.

Series 140-074
 Ultra-Miniature Junction Box
 Product Facts and Dimensional Details



Composite
 Junction
 Boxes



E