

PLEASE CHECK WWW.MOLEX.COM FOR LATEST PART INFORMATION

Part Number: [0510891405](#)
Status: **Active**
Description: 2.00mm (.079") Pitch Mi II™ System Wire-to-Board Crimp Housing, Dual Row, 14 Circuits

Documents:

3D Model	Product Specification PS-51089-005 (PDF)
Drawing (PDF)	RoHS Certificate of Compliance (PDF)
Product Specification PS-51089-001 (PDF)	

Agency Certification

CSA	LR19980
UL	E29179

General

Product Family	Crimp Housings
Series	51089
Product Name	Mi II™

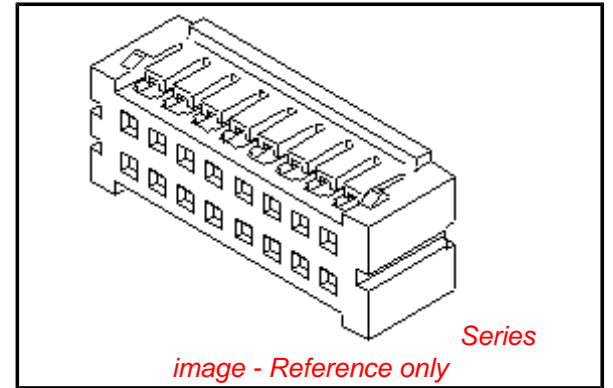
Physical

Circuits (maximum)	14
Color - Resin	Gray
Flammability	94V-0
Gender	Female
Glow-Wire Compliant	No
Lock to Mating Part	Yes
Material - Resin	Polyester
Number of Rows	2
Packaging Type	Bag
Panel Mount	No
Pitch - Mating Interface (in)	0.079 In
Pitch - Mating Interface (mm)	2.00 mm
Stackable	No
Temperature Range - Operating	-40°C to +105°C

Material Info

Reference - Drawing Numbers

Product Specification	PS-51089-001, PS-51089-005, RPS-51089-005
Sales Drawing	SD-51089-**05



EU RoHS

ELV and RoHS Compliant
REACH SVHC Contains SVHC: No
Halogen-Free Status

China RoHS



Not Halogen-Free

Need more information on product environmental compliance?

Email productcompliance@molex.com
 For a multiple part number RoHS Certificate of Compliance, [click here](#)

Please visit the [Contact Us](#) section for any non-product compliance questions.

Search Parts in this Series

[51089Series](#)

Mates With

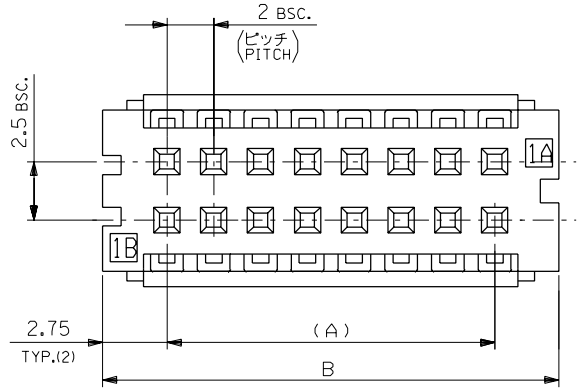
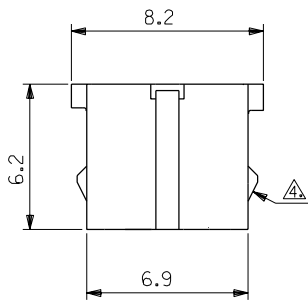
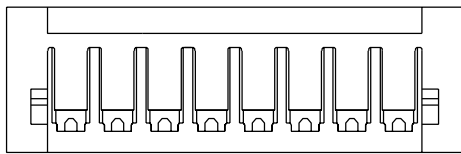
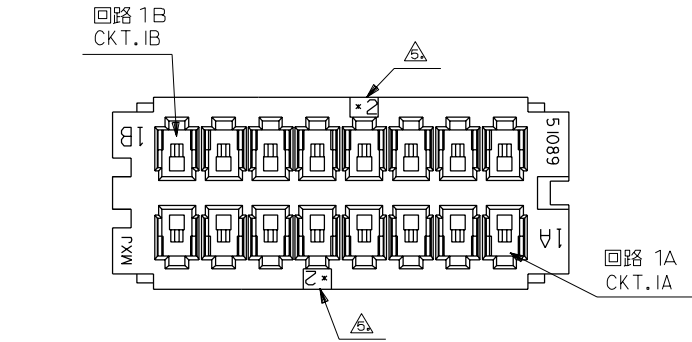
[53313](#) , [53314](#)

Use With

[50212](#) Crimp Terminals

ENG. NO. SD-51089-***05
EDP NO.

MM DIMENSIONS IN METRIC DO NOT SCALE DRAWING



注記 NOTES

- 材料: MATERIALS:
ハウジング: ガラス入りポリエステル 灰色
HOUSING: G.F. POLYESTER, UL94V-0, GRAY
ターミナル: 燐青銅
TERMINAL: PHOSPHOR BRONZE, MOLEX P/N 50212-8*00
 - 仕上げ: 鍍メッキ
FINISH: PRE-PLATED TIN - 0.9µm MIN.
 - 適合ヘッダー: (全極数)
MATING HEADERS: 53313-***15 (ALL SIZES) (30数以上)
53314-***15 (OVER 28 CKT.S)
- △ LOCK部: 表参照
LOCK: REFER TO CHART
- *2は5の倍数の回路番号を表示する。
数える方向は回路表示 1 A, 1 B側からとする。
*2 DENOTES CKT. NO. MULTIPLES OF 5,
COUNTED FROM 1A, 1B.

4 無し NONE ↓	63.5	58	51089-6005	60
	53.5	48	-5005	50
	43.5	38	-4005	40
	37.5	32	-3405	34
	33.5	28	-3005	30
4 有り PLC.S ↓	31.5	26	-2805	28
	29.5	24	-2605	26
	27.5	22	-2405	24
	25.5	20	-2205	22
	23.5	18	-2005	20
	21.5	16	-1805	18
	19.5	14	-1605	16
	17.5	12	-1405	14
	15.5	10	-1205	12
	13.5	8	51089-1005	10
LOCK部	B	(A)	ENG. NO.	CKT.

材料 MATERIAL		注記参照 SEE NOTES		MOLEX MOLEX-JAPAN CO.,LTD. 日本モレックス株式会社	
A RELEASED		GMS H.1	92/2/21	EDP. NO. //	
2 REVISIONS		GMS H.1	91/7/30	ENG. NO. SD-51089-***05	
30以上 OVER		GMS H.1	91/3/5	REV A	
10以上 30未満 UNDER		GMS H.1	90/9/20	TITLE 名称	
10未満 UNDER		DR. CHK. DATE	REVISION RECORD	2mm W-to-B DUAL ROW	
一般公差 GENERAL TOLERANCES		REVISE ONLY ON CAD SYSTEM		CRIMP RECEPTACLE HOUSING	