

PART NAME

NEMA 4X DIE CAST ALUMINUM ENCLOSURE

PART No.

AN-1307, AN-1307-G, AN-2807 & AN-2807-B

REV. DATE

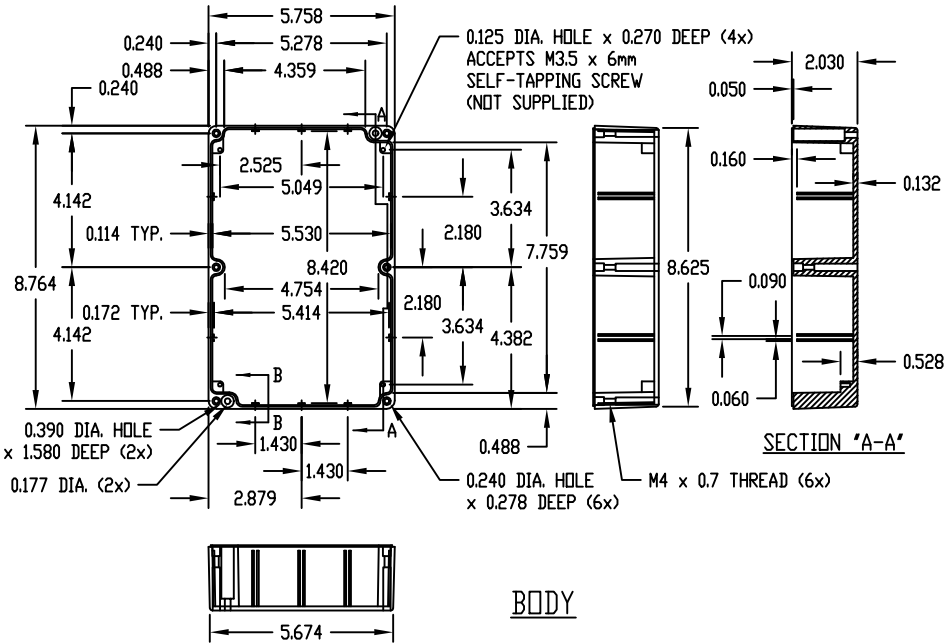
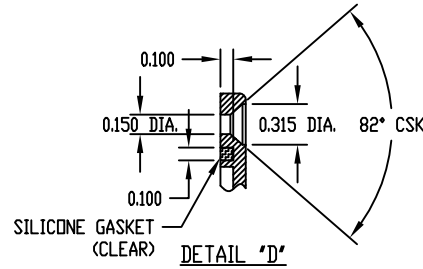
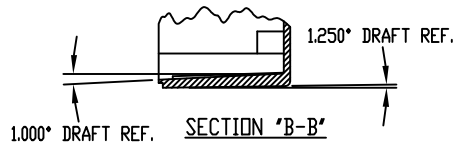
2-11-09

MATERIAL: ALUMINUM ALLOY #ADC-12

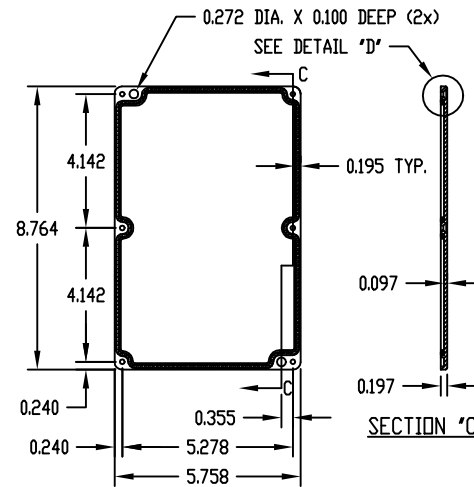
FINISH: NATURAL (NO SUFFIX)
GRAY (SUFFIX -G)
SMOOTH BLACK (SUFFIX -B)

NOTES:

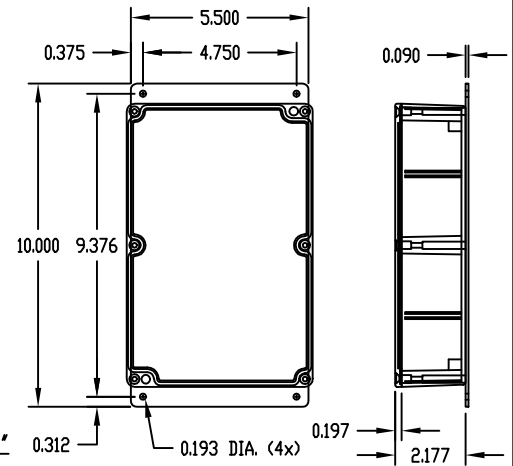
- 1) SIX (6) M4 x 20mm (0.787") LG. SCREWS SUPPLIED FOR ASSEMBLY OF COVER TO BODY.
- 2) ALL HOLE DIAMETERS HAVE ±0.005 TOLERANCE ALL OTHER DIMENSIONS HAVE ±0.015 TOLERANCE



BODY



COVER



PART NO. AN-2807 & AN-2807-B ARE SUPPLIED WITH A WELDED ON MOUNTING BRACKET ONLY.

Mouser Electronics

Authorized Distributor

Click to View Pricing, Inventory, Delivery & Lifecycle Information:

[Bud Industries:](#)

[AN-1307](#) [AN-1307-G](#) [AN-2807](#) [1307-C](#) [AN-2807-B](#)