

# POC-127

## 12.1" Point of Care Terminal with Intel® Atom™ Processor



### Features

- Point-of-Care terminal for eHealthcare/Medical Applications
- 12.1" LCD display LED backlight and up to 600 cd/m<sup>2</sup>
- Spill and dust resistant (IPx1)
- UL60601-1/EN60601-1, CE & FCC Class B certified
- Optional smart card reader, and back-up battery
- Resistive touchscreen
- Optional 802.11b/g/n WLAN module and RFID, Bluetooth, Disk on module
- Onscreen Dashboard provides smart and friendly control and setting function keys

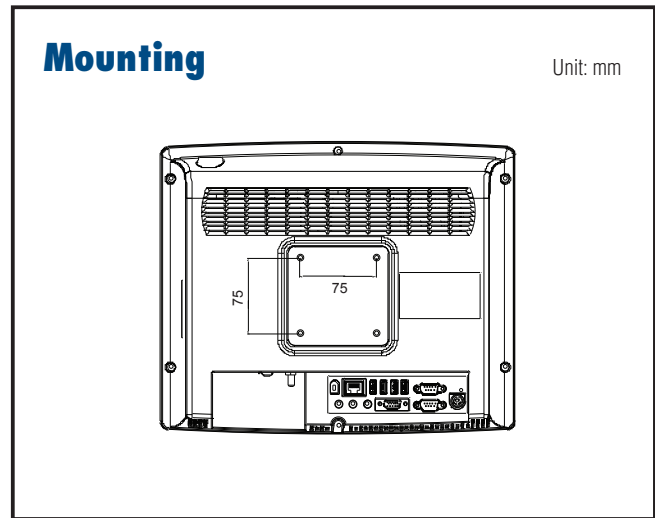
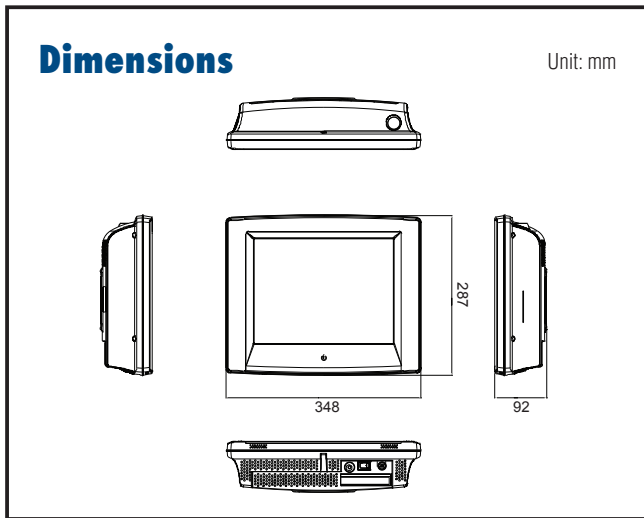


### Specifications

Computing System	Chipset	Intel Atom + ICH8M
	CPU	Intel® Atom™ Processor N450 1.66 G Hz
	Front Side Bus	667 MHz
	Memory	Up to 2GB DDR2 667 MHz SDRAM
	Graphics Controller	Intel Integrated Graphics Media Accelerator technology
	Operating System	XPP, Win 7
Display	Display Size	12.1"
	Max. Resolution	1024 x 768
	Max. Colors	262 k/16.2 M colors
	Pixel Pitch (mm)	0.24 x 0.24
	Viewing Angle	160/140°
	Luminance	600 cd/m <sup>2</sup>
	Backlight	LED
	LCD MTBF	50,000 Hours
Expansion Slot	Mini PCIe	1 x Mini PCIe
	PCIe /PCI	1 x PCIe x4 slot or PCI x1 (by riser card)
Storage	HDD	1 x 2.5" SATA
I/O Ports	Serial Port	2; 1 x RS-232 (isolated) and 1 x RS232/422/485 (isolated) serial port
	USB 2.0 Port	4
	IEEE 1394a Port	1
	PS/2 Mouse and Keyboard Interface	1
	VGA Port	1
	Mic-in/Line-in/Line-out	1
	Speakers (1W)	2
	LAN	1 x Gigabit Ethernet (isolated) interface (RJ-45)
Power Supply	DC Model	AC adapter
	Input Voltage	100 ~ 240 V <sub>AC</sub> , 1.25 ~ 0.5 A max. @ 50 ~ 60 Hz
	Output Voltage	+18 V <sub>DC</sub> @ 5.5 A (100 watts)
Optional Functions	Battery*	3S1P 2100mHA, Support up to one hour 56 min discharge time **
	Smart Card reader	Supporting ISO/IEC 7816-1, 2, 3
	WLAN	IEEE 802.11 b/g/n wireless LAN mini-PCI module
	RFID	Support ISO14443A/B and 15693 standard
	Bluetooth	Support CSR Bluetooth 2.0 + Enhanced Data Rate (EDR)
	DOM	1 ~ 8 GB disk on module kit
	CF	CF memory modules
Optional Touchscreen	Type	Analog Resistive
	Resolution	Continuous
	Light Transmission	80%
	Controller	RS-232 interface (use COM6)
	Durability	30 million touches

\* Battery kit trade-off with smart card reader & add on card

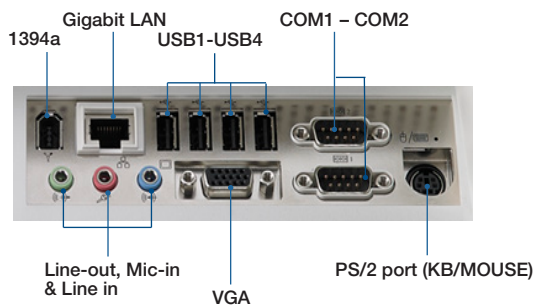
\*\* by Battery Mark with minimum peripherals connected



## Specifications Cont.

IP Rating	Front Panel	IP65
	Whole System	IPX1
Certification		CE, FCC Class B, CCC, UL60601-1, EN60601-1 approved
Environment	Temperature	0 ~ 40° C (32 ~ 104° F) (Operating)
	Humidity	10 ~ 95% @ 40° C (non-condensing)
	Shock Resistance	20 G peak acceleration (11 ms duration)
	Water/dust Resistance	IPX1 compliant
Physical Characteristics	Dimensions (W x D x H)	348 x 287 x 92 mm (13.70" x 11.30" x 3.62")
	Weight	4.5 kg

## Rear I/O



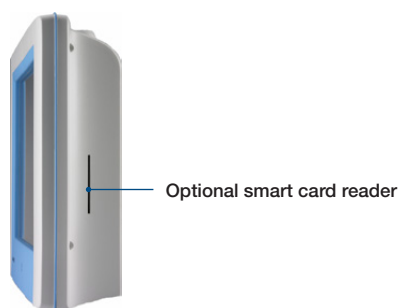
## Ordering Information

Part Number	Touch Panel	CPU	RAM	HDD
POC-127-166-ATE	TS	N450	1 GB	-

## Optional Modules

Part Number	Description
POC-127-WF0E	WiFi kit (802.11b/g/n) for POC-127
POC-127-RF0E	RFID kit for POC-127
POC-127-BT0E	Bluetooth kit for POC-127
POC-127-BA0E	Battery kit for POC-127
POC-SCRK-02E	Smart Card Reader kit for POC-127 (rear cover need change)

## Side I/O



## Accessories

Part Number	Description
POC-153 STAND	Stand for POC-154/POC-155/POC-125
1702002600	Power Cable (USA) 1.83 M
1702002605	Power Cable (Europe) 1.8 M

\*means this accessory will go with T Part Number. Please contact Advantech sales for more details.