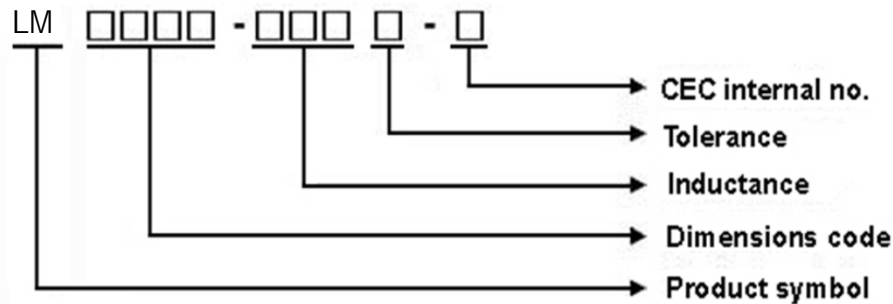


**1 Scope:** This specification applies to Wire Wound Ceramic Chip Inductors

**2 Part Numbering:**



**3 Rating:**

Operating Temperature:  $-40^{\circ}\text{C} \sim 125^{\circ}\text{C}$  (Including self - temperature rise)

Storage Temperature:  $20^{\circ}\text{C} \sim 25^{\circ}\text{C}$  R.H. 65% (In Tape & Reel Condition)

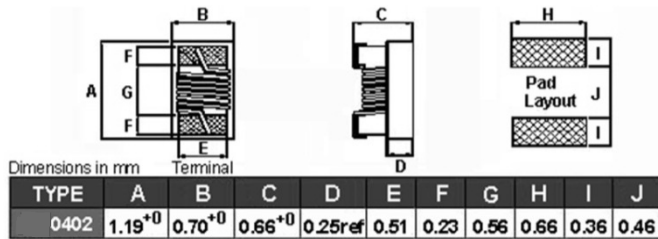
**4 Marking:**



**5 Standard Testing Condition**

	Unless otherwise specified	In case of doubt
Temperature	Ordinary Temperature(15 to 35°C)	20±2°C
Humidity	Ordinary Humidity(25 to 85% RH)	60 to 70 % RH

## 6 Configuration and Dimensions:



## 7 Electrical Characteristics:

Part No.	Inductance (nH)	L/Q Test Freq. (MHz)	Q Min.	SRF (MHz)Min.	RDC ( $\Omega$ )Max.	I <sub>rms</sub> (mA)Max.	Tolerance
LM0402-1N5 □-N	1.5	100/250	10	18000	0.03	1000	B,C,D
LM0402-2N4 □-N	2.4	100/250	20	15000	0.05	850	B,C,D
LM0402-2N5 □-N	2.5	100/250	20	15000	0.05	850	B,C,D
LM0402-2N7 □-N	2.7	100/250	20	15000	0.05	850	B,C,D
LM0402-2N9 □-N	2.9	100/250	20	15000	0.07	750	B,C,D
LM0402-3N9 □-N	3.9	100/250	25	10000	0.07	750	H,J
LM0402-4N1 □-N	4.1	100/250	25	10000	0.07	750	H,J
LM0402-4N3 □-N	4.3	100/250	25	10000	0.07	750	H,J
LM0402-4N7 □-N	4.7	100/250	25	8000	0.07	750	H,J
LM0402-5N1 □-N	5.1	100/250	25 <sup>typ.</sup>	8000	0.12	600	H,J
LM0402-5N8 □-N	5.8	100/250	25	8000	0.12	700	H,J
LM0402-6N2 □-N	6.2	100/250	25	8000	0.09	700	H,J
LM0402-6N8 □-N	6.8	100/250	25	6000	0.09	700	H,J
LM0402-7N3 □-N	7.3	100/250	25	6000	0.13	570	H,J
LM0402-7N5 □-N	7.5	100/250	25	6000	0.13	570	H,J
LM0402-8N2 □-N	8.2	100/250	25	5500	0.14	540	H,J
LM0402-8N7 □-N	8.7	100/250	25	5500	0.14	540	H,J
LM0402-9N1 □-N	9.1	100/250	25	5500	0.14	540	H,J
LM0402-9N5 □-N	9.5	100/250	25	5500	0.14	540	H,J
LM0402-10N □-N	10	100/250	25	5500	0.17	500	G,H,J
LM0402-11N □-N	11	100/250	30	5500	0.14	500	G,H,J
LM0402-12N □-N	12	100/250	30	5500	0.14	500	G,H,J
LM0402-13N □-N	13	100/250	25	5000	0.21	430	G,H,J
LM0402-15N □-N	15	100/250	30	5000	0.16	460	G,H,J
LM0402-16N □-N	16	100/250	25	4500	0.24	370	G,H,J

**NOTE:** □-tolerance B=±0.1nH / C=±0.2nH / D=±0.5nH / H=±3% / J=±5% / G=±2%

1. Operating temperature range – 4 0 °C ~ 1 2 5 °C (Including self - temperature rise)

2. I<sub>rms</sub> for a 15°C temperature rise from 25°C ambient.

3. L/Q Test OSC @200mV.

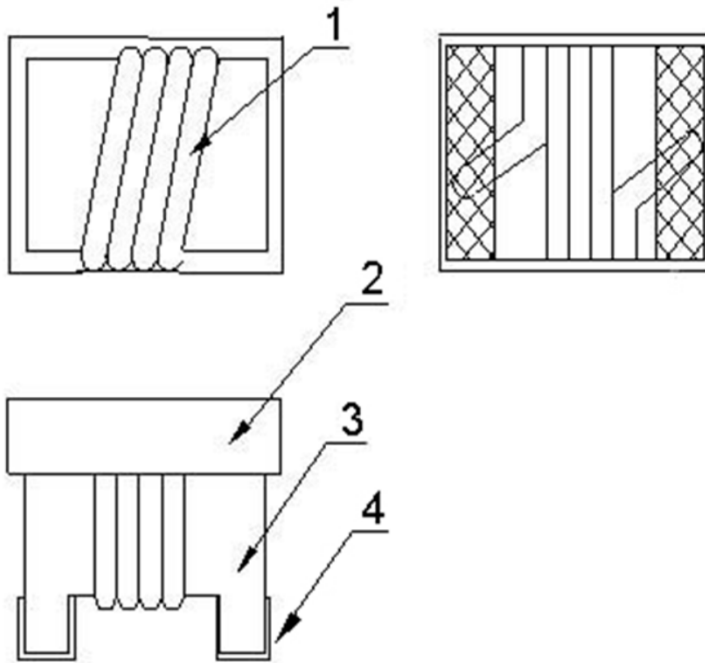
4. Inductance would be correct Chilis in standard piece.

"-N" FOR COMPLETELY LEAD FREE TYPE(INCLUDING FERRITE BODY & SOLDER)

Part No.	Inductance (nH)	L/Q Test Freq. (MHz)	Q Min.	SRF (MHz)Min.	RDC ( $\Omega$ )Max.	I <sub>rms</sub> (mA)Max.	Tolerance
LM0402-18N □-N	18	100/250	25	4500	0.27	370	G,H,J
LM0402-19N □-N	19	100/250	25	4500	0.27	370	G,H,J
LM0402-20N □-N	20	100/250	25	4000	0.27	370	G,H,J
LM0402-22N □-N	22	100/250	25	4000	0.3	310	G,H,J
LM0402-23N □-N	23	100/250	25	3800	0.3	310	G,H,J
LM0402-24N □-N	24	100/250	25	3500	0.52	280	G,H,J
LM0402-27N □-N	27	100/250	25	3500	0.52	280	G,H,J
LM0402-30N □-N	30	100/250	25	3300	0.58	270	G,H,J
LM0402-33N □-N	33	100/250	25	3200	0.63	260	G,H,J
LM0402-36N □-N	36	100/250	25	3100	0.63	260	G,H,J
LM0402-39N □-N	39	100/250	25	3000	0.7	250	G,H,J
LM0402-40N □-N	40	100/250	25	3000	0.7	250	G,H,J
LM0402-47N □-N	47	100/200	25	2900	1.08	210	G,H,J
LM0402-51N □-N	51	100/200	25	2850	1.08	210	G,H,J
LM0402-56N □-N	56	100/200	25	2800	1.17	200	G,H,J
LM0402-62N □-N	62	100/200	20	2600	1.82	145	G,H,J
LM0402-68N □-N	68	100/200	20	2500	1.96	140	G,H,J
LM0402-72N □-N	72	100/150	20	2500	2.1	135	G,J
LM0402-75N □-N	75	100/150	20	2400	2.1	135	G,J
LM0402-82N □-N	82	100/150	20	2300	2.24	130	G,J
LM0402-91N □-N	91	100/150	20	2100	2.38	125	G,J
LM0402-R10 □-N	100	100/150	20	1500	2.52	120	G,J
LM0402-R12 □-N	120	100/150	20	1000	2.66	110	G,J

## 8 LM0402 Series

### 8.1 Construction:



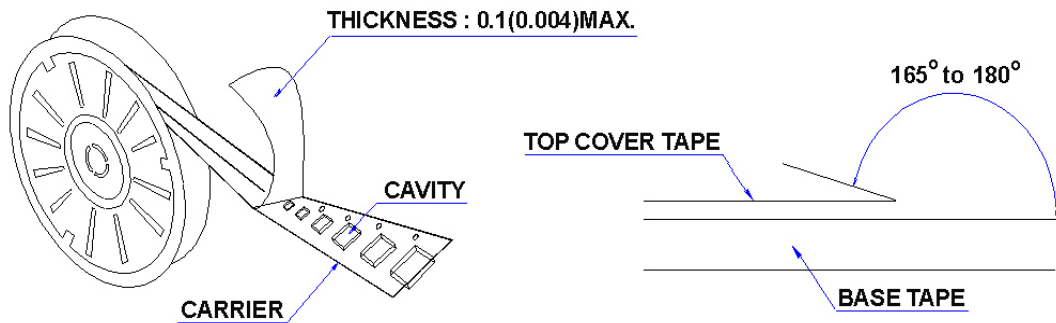
### 8.2 Material List:

No	Part	Material	Supplies
1	WIRE	Grade 180	ELEKTRISOLA
2	EPOXY	UV GLUE	PROVONCE
3	CORE	CERAMIC	CHILISIN
4	TERMINAL	Ag/Ni/Sn	

## 9 Packaging:

### 9.1 Packaging -Cover Tape

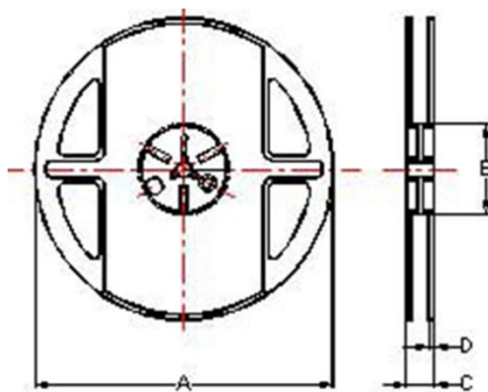
The force for tearing off cover tape is 10 to 100 grams in the arrow direction.



### 9.2 Packaging Quantity

TYPE	PCS/REEL
0402	4000
0603	4000

### 9.3 Reel Dimensions

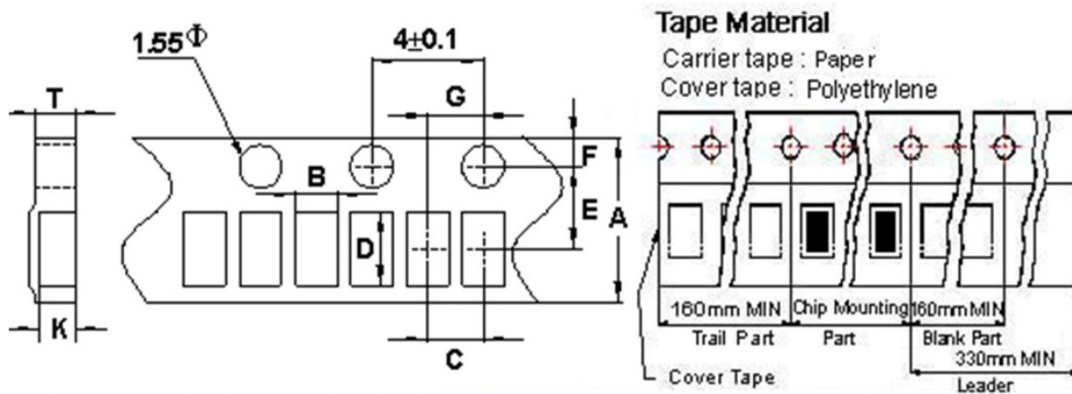


Reel Dimensions : m/m

TYPE	A	B	C	D
0402	178	60	12	1.5
0603	178	60	12	1.5

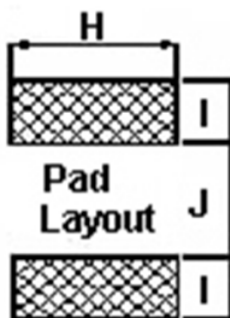
## 9 Packaging:

### 9.4 Tape Dimensions in mm



TYPE	A	B	C	D	E	F	G	T	K
0402	8.0	0.67	2	1.20	3.5	1.75	2	0.75	0.59

## 10 Recommended Land Pattern:



Dimensions in mm

TYPE	I(in/mm)	J(in/mm)	H(in/mm)
0402	0.014/0.36	0.018/0.46	0.022/0.56
0603	0.025/0.64	0.025/0.64	0.04/1.02

## 11 Note:

1. Please make sure that your product has been evaluated and confirmed against your specifications when our product is mounted to your product.
2. Do not knock nor drop.
3. All the items and parameters in this product specification have been prescribed on the premise that our product is used for the purpose, under the condition and in the environment agreed upon between you and us. You are requested not to use our product deviating from such agreement.
4. Please keep the distance between transformer/coil and other components (refer to the standard IEC 950)
5. The moisture sensitivity level (MSL) of products is classified as level 1.