



- 10G for Ethernet Applications
- Operating Temp: 0°C to +70°C
- Storage Temp: -40°C to +85°C
- RJ45 Jack cavity conforms to FCC rules and regulations Part 68

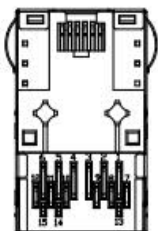
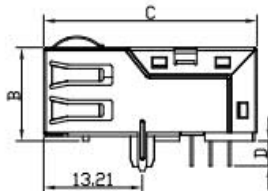
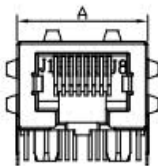


Electrical Specifications @25°C						
OCL (160µH Min) @100KHz, 100mV	Turns Ratio	Hi-Pot @60 Sec	Insertion Loss (dB Max)		Cross Talk (dB Min)	
			100 MHz	1-400 MHz	1-100MHz	100-500MHz
	1.00±2%	2250VDC Min	-3.0	-2.0(-1.4dB TYP)	-28	-19

Electrical Specifications @25°C							
Return Loss (Z OUT=100 Ω±1%)			Common Mode Rejection Ratio (dB Min)			Common to Differential Mode Rejection (CDMR)	
1-40MHz	40-400MHz	400-500MHz	1-40MHz	40-100MHz	100-500MHz	1-250MHz	250-500MHz
-16dB Min	-16+10LOG(f/40)dB	-6+30LOG(f/400)dB	-30	-28	-26	-30	-22

All specifications subject to change without notice.

## MECHANICAL



UNIT : mm / inch

A = 17.53 / 0.690

B = 11.92 / 0.445

C = 28.57 / 1.125

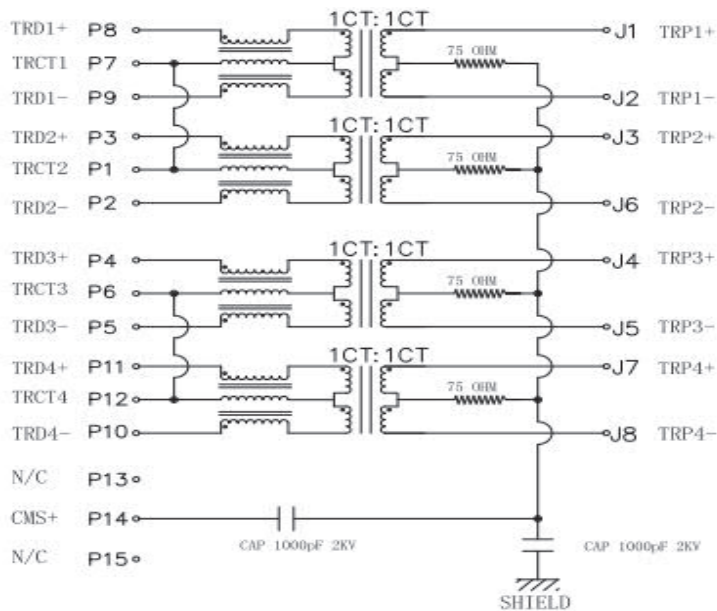
D = 3.18 / 0.125

Unless otherwise specified,all dimensions tolerances

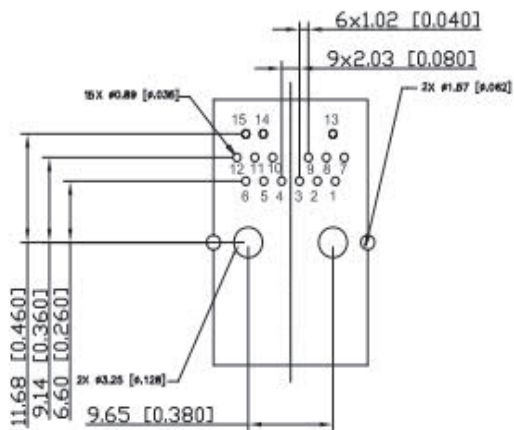
is ±0.254 / 0.010.



**SCHEMATICS**



**PCB-LAYOUT**



**NOTES**

1. Connector Material:  
Housing: Thermoplastic Black UL.94 V-0  
Shield: Brass  
Shield Plating: Nickel  
Contact: Phosphor Bronze  
Contact Plating: Selective Gold, 50 Micro-Inchs Min in contact area
2. Pin not Electrically connected maybe omitted see electrical drawing for omitted Pins.
3. The part is recommended for wave soldering process peak soldering Temperature is 260°C Max, 10 Secs Max