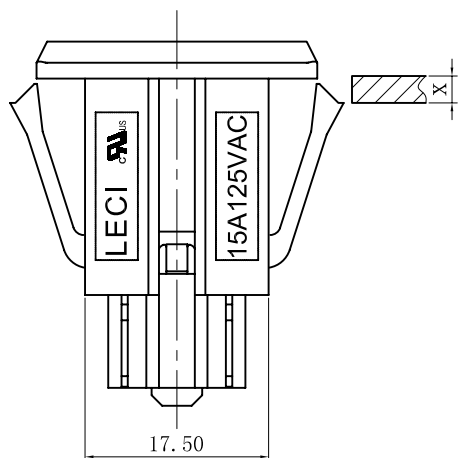


PANEL CUT-OUT



X	L
0.8	24
1.0	24.6
1.2	25.2
1.6~2.0	26.2

Rating : 15A 125V AC T105 UL cUL
 Insert And Extract Force: 1.36kgf~6.8kgf
 Terminal Strength: $\geq 80N$
 Operating Life: ≥ 5000 cycles
 Withstand Voltage: Between all terminals:2500VAC (50-60Hz)1min
 terminals to Base:3750V AC (50-60Hz)1min
 Leakage Current : 1mA
 Insulation Resistance: $\geq 100M\Omega$ 500V DC
 Body Materil: NYLON 66 94V-2-0

序号	部品名称	材质	处理	数量	备注
1	DB-F-M 塑胶件	PA66	黑色	1	
2	DB-F-ML 铜件	黄铜	镀锡	1	
3	DB-F-MS 铜件	黄铜	镀锡	2	

A4				普通公差	<h2 style="margin: 0;">深圳市华灿天禄电子有限公司</h2>												
A3				COMMON TOLERANCE :													
A2				UP TO 5							± 0.20	单位	mm	投影		品名	Ac Outlet
A1				ABOVE 5 TO 30							± 0.30	UNIT		PROJECTED		PRODUCT NAME	
				ABOVE 30	± 0.50	绘图	黄旭程	核对		型号	DB-F						
REV.	DATE	REVISION DESCRIPTION	ISSUE	ANGULAR	$\pm 5^\circ$	DRAWN BY		CHECKED BY		料号	DB-F-M						
				日期	2015.01.13	DATE		核准		PART NO.							
								APPROVAL BY									