

Customer Information Sheet

DRAWING No.: M50-355XX42 SHEET 2 OF 2

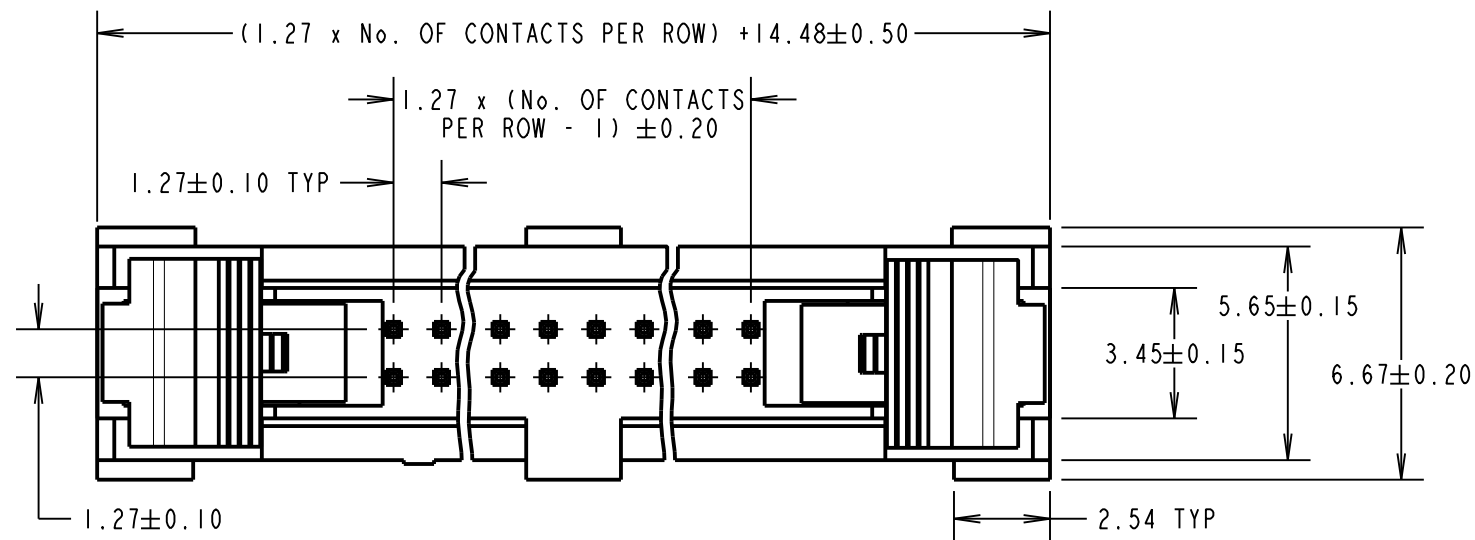
IF IN DOUBT - ASK

©

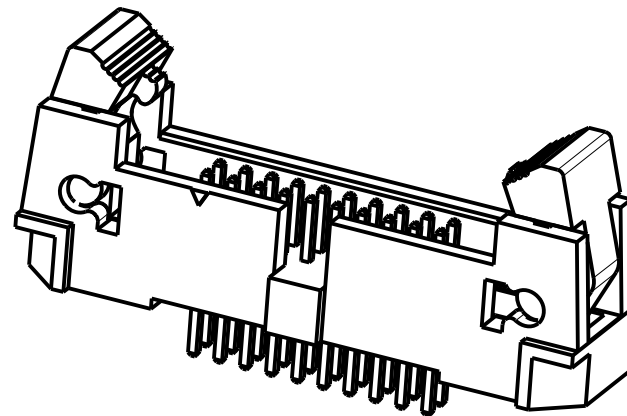
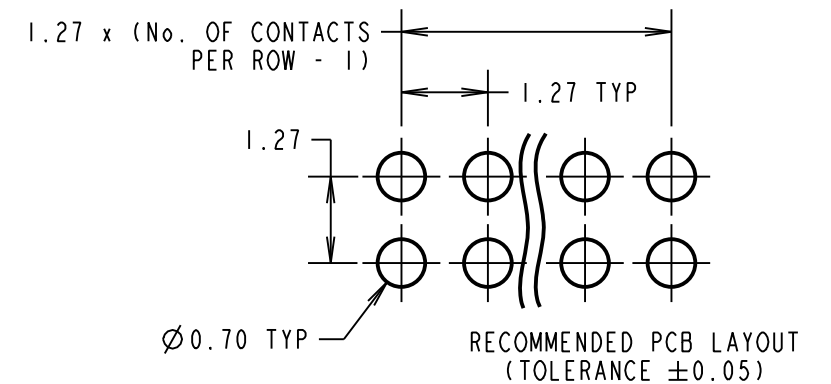
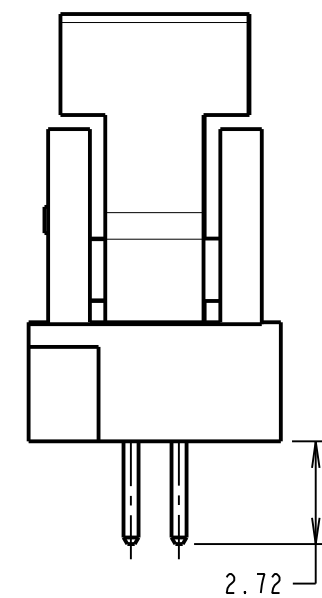
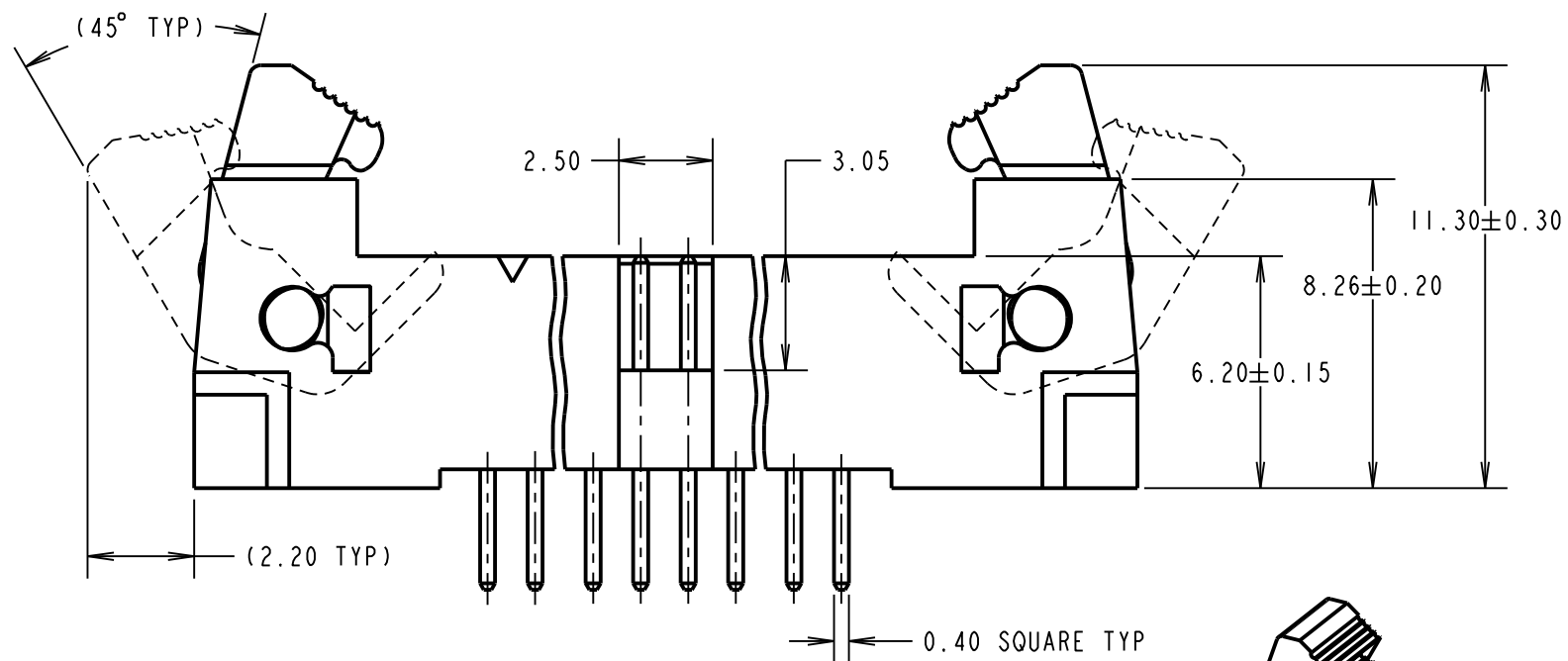
NOT TO SCALE

THIRD ANGLE PROJECTION

ALL DIMENSIONS IN mm



SPECIFICATIONS:
MATERIALS:
 MOULD = LCP, 30% G/F, UL94V-0
 CONTACT = BRASS
FINISH:
 42 = 0.015-0.02µ GOLD ON CONTACTS,
 2.54µ 100% TIN ON TAILS, OVER 0.76-2.03µ NICKEL
MECHANICAL:
 DURABILITY = 300 CYCLES MIN
 INSERTION FORCE = 1.0N MAX PER CONTACT
 WITHDRAWAL FORCE = 0.14N MIN PER CONTACT
ELECTRICAL:
 RATED CURRENT = 1.75A
 CONTACT RESISTANCE = 20mΩ MAX
 WITHSTAND VOLTAGE = 1000V ACrms/DC FOR 1 MINUTE
 INSULATION RESISTANCE = 5000MΩ MIN
ENVIRONMENTAL:
 OPERATING TEMPERATURE = -55°C TO +125°C
PACKING:
 TUBE



- NOTES:**
 1. FOR COMPLETE SPECIFICATION, SEE COMPONENT SPECIFICATION C029XX (LATEST ISSUE).
 2. ALL TOLERANCES ARE ±0.25 UNLESS OTHERWISE STATED.
 3. CONNECTOR IS RoHS AND REACH COMPLIANT.

ORDER CODE: M50-355XX42
 No. OF CONTACTS PER ROW: 05, 06, 07, 08, 10, 13, 17, 20, 25
 FINISH: SELECTIVE GOLD, TIN

MSP	7	10.08.16	13112
NAME	ISS.	DATE	C/NOTE
APPROVED:		M. PERREN	
CHECKED:		S. BENNETT	
DRAWN:		R. ADDE	
CUSTOMER REF.:			
ASSEMBLY DRG:			

HARWIN

www.harwin.com
 technical@harwin.com

THIS DRAWING AND ANY INFORMATION OR DESCRIPTIVE MATTER SET OUT HEREON ARE CONFIDENTIAL AND COPYRIGHT PROPERTY OF THE HARWIN GROUP AND MUST NOT BE DISCLOSED, LOANED, COPIED OR USED FOR MANUFACTURING, TENDERING OR FOR ANY OTHER PURPOSE WITHOUT THEIR WRITTEN PERMISSION.

TOLERANCES
 X = ±1mm
 X.X = ±0.50mm
 X.XX = ±0.10mm
 X.XXX = ±0.01mm
 ANGLES = ±5°
 UNLESS STATED

MATERIAL:
 SEE ABOVE
FINISH: SEE ABOVE
S/AREA: mm²

TITLE:
 1.27mm DIL PC TAIL
 EJECTOR HEADER

DRAWING NUMBER:
 M50-355XX42

SHT
 2 OF
 2