
LOW NOISE 150mA LDO REGULATOR

NO.EA-057-120206

OUTLINE

The R1111N Series are CMOS-based voltage regulator ICs with high output voltage accuracy, extremely low supply current, low ON-resistance, and high Ripple Rejection. Each of these voltage regulator ICs consists of a voltage reference unit, an error amplifier, resistors, a current limit circuit, and a chip enable circuit.

These ICs perform with low dropout voltage and a chip enable function. The line transient response and load transient response of the R1111N Series are excellent, thus these ICs are very suitable for the power supply for hand-held communication equipment.

The output voltage of these ICs is fixed with high accuracy. Since the package for these ICs is SOT-23-5 (Mini-mold) package, high density mounting of the ICs on boards is possible.

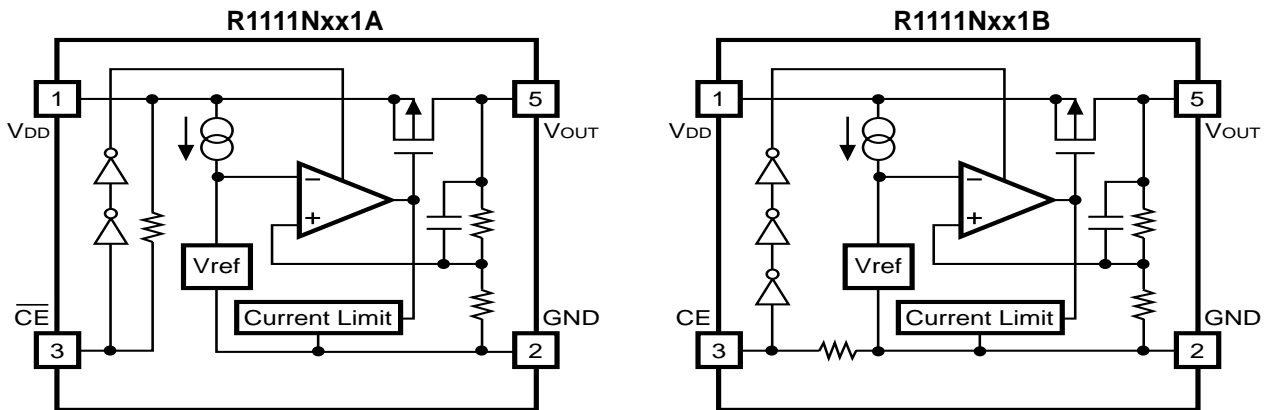
FEATURES

- Supply Current Typ. 35 μ A
- Standby Mode Typ. 0.1 μ A
- Dropout Voltage Typ. 0.2V ($I_{OUT}=100mA$)
- Ripple Rejection Typ. 70dB($f=1kHz$)
- Output Voltage 1.5V to 5.0V (0.1V steps)
(For other voltages, please refer to MARK INFORMATIONS.)
- Output Voltage Accuracy $\pm 2.0\%$
- Low Temperature-Drift Coefficient of Output Voltage.. Typ. $\pm 100ppm/^{\circ}C$
- Line Regulation Typ. 0.05%/V
- Package SOT-23-5
- Built-in chip enable circuit (2 types; A: active "L", B: active "H")
- Built-in Fold Back Protection Circuit Typ. 50mA (Current at short mode)
- Pin-out Similar to the LP2980

APPLICATIONS

- Power source for cellular phones such as GSM, CDMA and various kinds of PCSs.
- Power source for electrical appliances such as cameras, VCRs and camcorders.
- Power source for battery-powered equipment.

BLOCK DIAGRAM



SELECTION GUIDE

The output voltage, the active type for the ICs can be selected at the user's request.

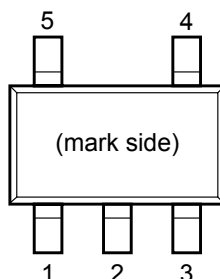
Product Name	Package	Quantity per Reel	Pb Free	Halogen Free
R1111Nxx1*-TR-FE	SOT-23-5	3,000 pcs	Yes	Yes

xx: The output voltage can be designated in the range from 1.5V(15) to 5.0V(50) in 0.1V steps.
(For other voltages, please refer to MARK INFORMATIONS.)

* : Designation of Active Type
(A) "L" active
(B) "H" active

PIN CONFIGURATION

• SOT-23-5



PIN DESCRIPTION

• SOT-23-5

Pin No	Symbol	Pin Description
1	V_{DD}	Input Pin
2	GND	Ground Pin
3	\overline{CE} or CE	Chip Enable Pin
4	NC	No Connection
5	V_{OUT}	Output pin

ABSOLUTE MAXIMUM RATINGS

Symbol	Item	Rating	Unit
V_{IN}	Input Voltage	9.0	V
V_{CE}	Input Voltage (\overline{CE} or CE Pin)	-0.3 ~ $V_{IN}+0.3$	V
V_{OUT}	Output Voltage	-0.3 ~ $V_{IN}+0.3$	V
I_{OUT}	Output Current	200	mA
P_D	Power Dissipation *	420	mW
T_{opt}	Operating Temperature Range	-40 ~ 85	°C
T_{stg}	Storage Temperature Range	-55 ~ 125	°C

*) For Power Dissipation, please refer to PACKAGE INFORMATION.

ABSOLUTE MAXIMUM RATINGS

Electronic and mechanical stress momentarily exceeded absolute maximum ratings may cause the permanent damages and may degrade the life time and safety for both device and system using the device in the field. The functional operation at or over these absolute maximum ratings is not assured.

ELECTRICAL CHARACTERISTICS

● R1111Nxx1A

(T_{opt}=25°C)

Symbol	Item	Conditions	Min.	Typ.	Max.	Unit
V _{OUT}	Output Voltage	V _{IN} =V _{SET} +1V, 1mA≤I _{OUT} ≤30mA	×0.98		×1.02	V
I _{OUT}	Output Current	Refer to ELECTRICAL CHARACTERISTICS BY OUTPUT VOLTAGE.				
$\frac{\Delta V_{OUT}}{\Delta I_{OUT}}$	Load Regulation	V _{IN} =V _{SET} +1V, 1mA≤I _{OUT} ≤80mA		12	40	mV
V _{DIF}	Dropout Voltage	Refer to ELECTRICAL CHARACTERISTICS BY OUTPUT VOLTAGE.				
I _{SS}	Supply Current	V _{IN} =V _{SET} +1V, I _{OUT} =0A		35	70	μA
I _{standby}	Standby Current	V _{IN} =V _{CE} , V _{IN} =V _{SET} +1V		0.1	1.0	μA
$\frac{\Delta V_{OUT}}{\Delta V_{IN}}$	Line Regulation	V _{SET} +0.5V≤V _{IN} ≤8.0V, I _{OUT} =30mA		0.05	0.20	%/V
RR	Ripple Rejection	f=1kHz, Ripple 0.5Vp-p, V _{IN} =V _{SET} +1V		70		dB
V _{IN}	Input Voltage		2.0		8.0	V
$\frac{\Delta V_{OUT}}{\Delta T_{opt}}$	Output Voltage Temperature Coefficient	I _{OUT} =10mA, -40°C≤T _{opt} ≤85°C		±100		Ppm/°C
I _{SC}	Short Current Limit	V _{OUT} =0V		50		mA
R _{PU}	\overline{CE} Pull-up Resistance		2.5	5.0	10.0	MΩ
V _{CEH}	\overline{CE} Input Voltage "H"		1.5		V _{IN}	V
V _{CEL}	\overline{CE} Input Voltage "L"		0		0.25	V
en	Output Noise	BW=10Hz to 100kHz		30		μVrms

RECOMMENDED OPERATING CONDITIONS (ELECTRICAL CHARACTERISTICS)

All of electronic equipment should be designed that the mounted semiconductor devices operate within the recommended operating conditions. The semiconductor devices cannot operate normally over the recommended operating conditions, even if when they are used over such conditions by momentary electronic noise or surge. And the semiconductor devices may receive serious damage when they continue to operate over the recommended operating conditions.

● R1111Nxx1B

(T_{opt}=25°C)

Symbol	Item	Conditions	Min.	Typ.	Max.	Unit
V _{OUT}	Output Voltage	V _{IN} =V _{SET} +1V, 1mA≤I _{OUT} ≤30mA	×0.98		×1.02	V
I _{OUT}	Output Current	Refer to ELECTRICAL CHARACTERISTICS BY OUTPUT VOLTAGE.				
$\frac{\Delta V_{OUT}}{\Delta I_{OUT}}$	Load Regulation	V _{IN} =V _{SET} +1V, 1mA ≤I _{OUT} ≤80mA		12	40	mV
V _{DIF}	Dropout Voltage	Refer to ELECTRICAL CHARACTERISTICS BY OUTPUT VOLTAGE.				
I _{SS}	Supply Current	V _{IN} =V _{SET} +1V, I _{OUT} =0A		35	70	μA
I _{standby}	Standby Current	V _{IN} =V _{SET} +1V, V _{CE} =GND		0.1	1.0	μA
$\frac{\Delta V_{OUT}}{\Delta V_{IN}}$	Line Regulation	V _{SET} +0.5V≤V _{IN} ≤8.0V, I _{OUT} =30mA		0.05	0.20	%/V
RR	Ripple Rejection	f=1KHz, Ripple 0.5Vp-p, V _{IN} =V _{SET} +1V		70		dB
V _{IN}	Input Voltage		2.0		8.0	V
$\frac{\Delta V_{OUT}}{\Delta T_{opt}}$	Output Voltage Temperature Coefficient	I _{OUT} =10mA, -40°C≤T _{opt} ≤85°C		±100		Ppm/°C
I _{SC}	Short Current Limit	V _{OUT} =0V		50		mA
R _{PD}	CE Pull-up Resistance		2.5	5.0	10.0	MΩ
V _{CEH}	CE Input Voltage "H"		1.5		V _{IN}	V
V _{CEL}	CE Input Voltage "L"		0		0.25	V
en	Output Noise	BW=10Hz to 100kHz		30		μVrms

RECOMMENDED OPERATING CONDITIONS (ELECTRICAL CHARACTERISTICS)

All of electronic equipment should be designed that the mounted semiconductor devices operate within the recommended operating conditions. The semiconductor devices cannot operate normally over the recommended operating conditions, even if when they are used over such conditions by momentary electronic noise or surge. And the semiconductor devices may receive serious damage when they continue to operate over the recommended operating conditions.

ELECTRICAL CHARACTERISTICS by OUTPUT VOLTAGE

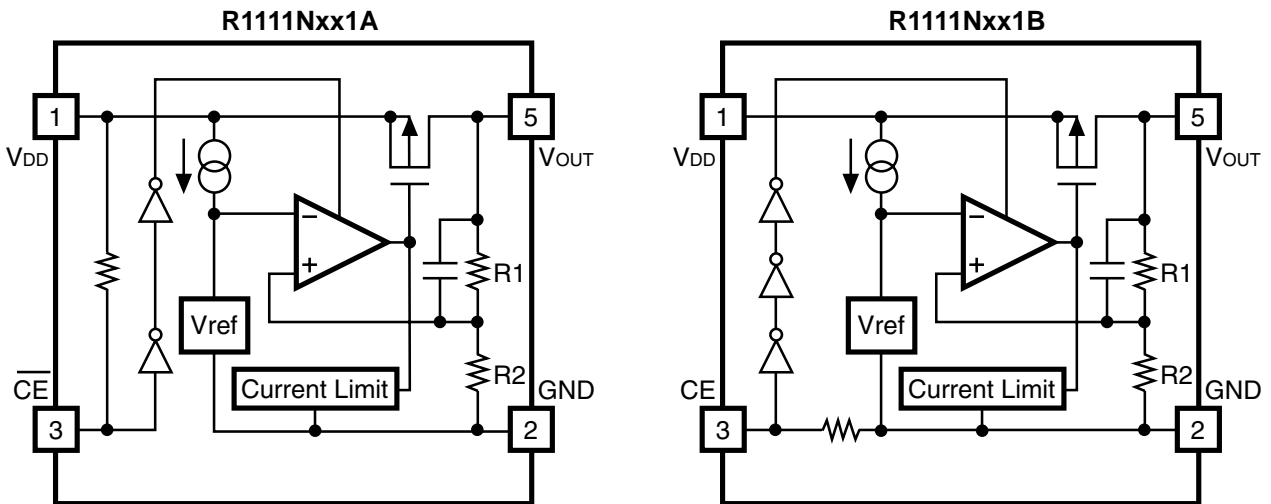
T_{opt} = 25°C

Output Voltage V _{OUT} (V)	Output Current	
	I _{OUT} (mA)	
	Condition	Min.
1.5 ≤ V _{SET} ≤ 1.7	V _{IN} = V _{SET} + 1V	100
1.8 ≤ V _{SET} ≤ 5.0		150

T_{opt} = 25°C

Output Voltage V _{OUT} (V)	Dropout Voltage			
	V _{DIF} (V)			
	Condition	Min.	Typ.	Max.
1.5	I _{OUT} = 100mA	0.5		
1.6		0.4		
1.7		0.3		
1.8 ≤ V _{SET} ≤ 1.9			0.60	1.40
2.0 ≤ V _{SET} ≤ 2.4			0.35	0.70
2.5 ≤ V _{SET} ≤ 2.7			0.24	0.35
2.8 ≤ V _{SET} ≤ 3.3			0.20	0.30
3.4 ≤ V _{SET} ≤ 5.0			0.17	0.26

OPERATION



In these ICs, fluctuation of output voltage, V_{OUT} is detected by feed-back registers R1, R2, and the result is compared with a reference voltage by the error amplifier, so that a constant voltage is output. A current limit circuit for protection at short mode and a chip enable circuit, are included.

TEST CIRCUITS

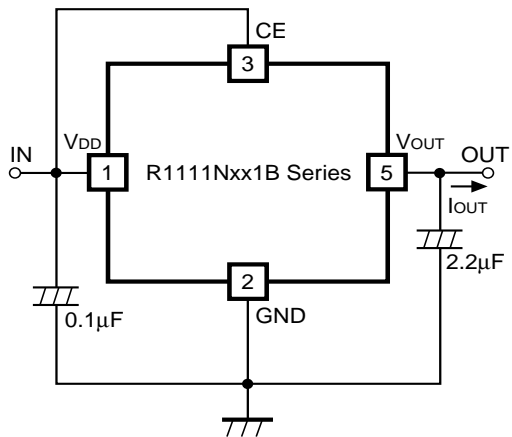


Fig.1 Standard test Circuit

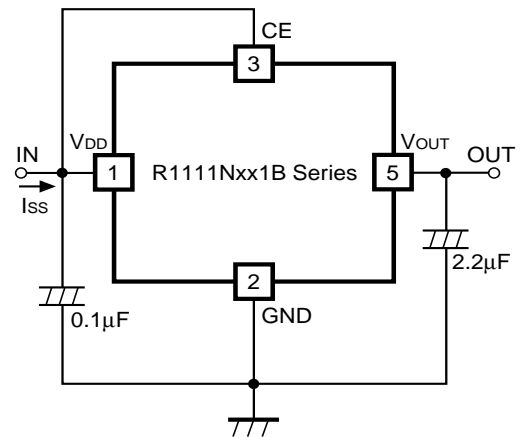


Fig.2 Supply Current Test Circuit

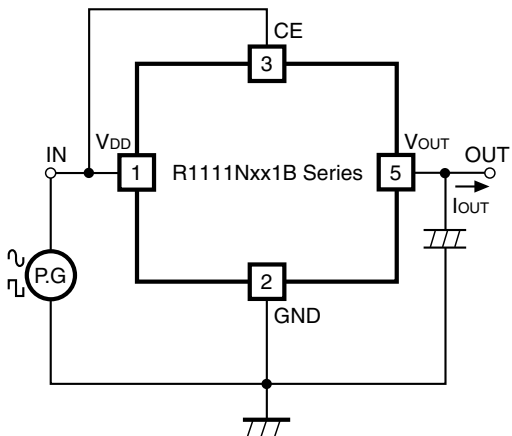


Fig.3 Ripple Rejection, Line Transient Response Test Circuit

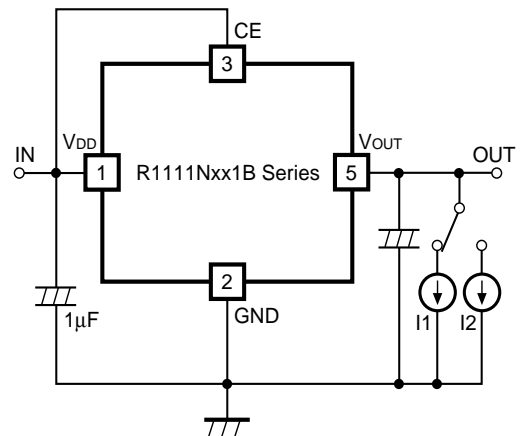
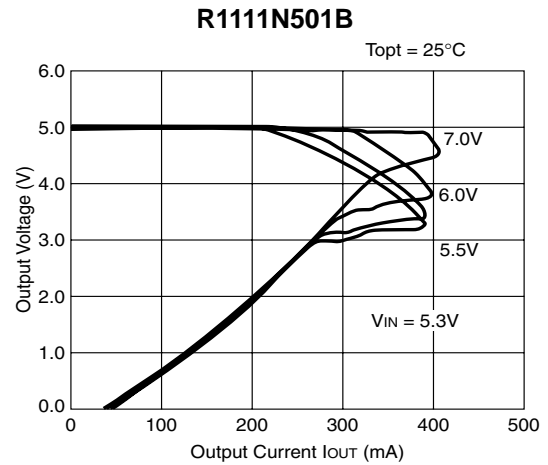
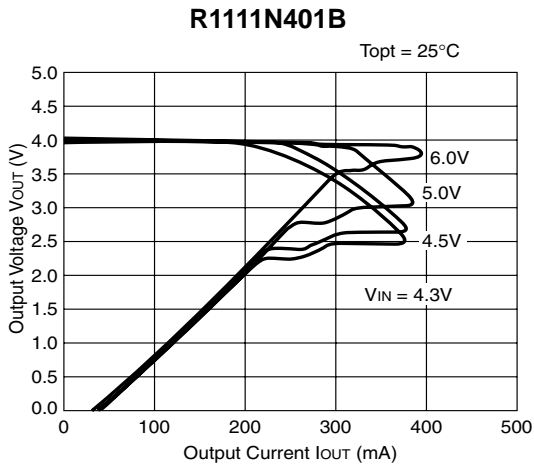
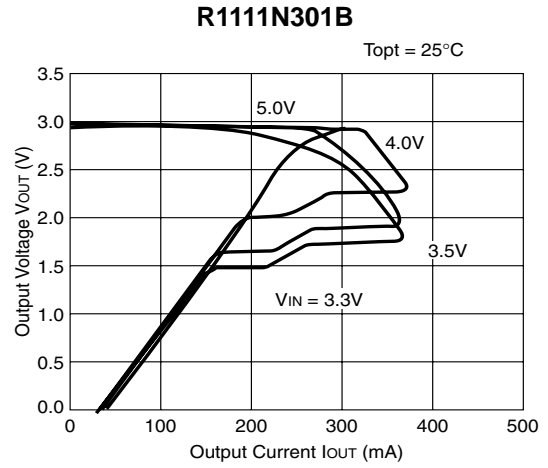
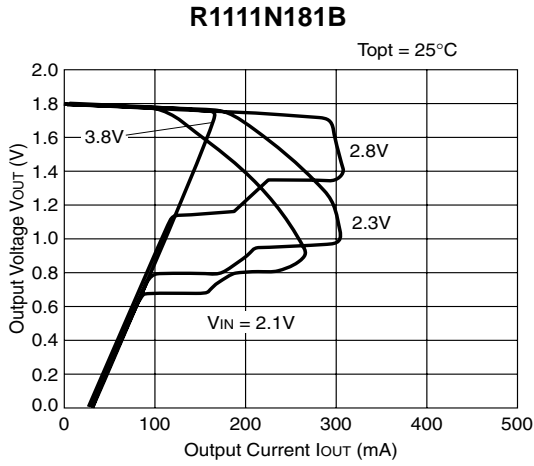


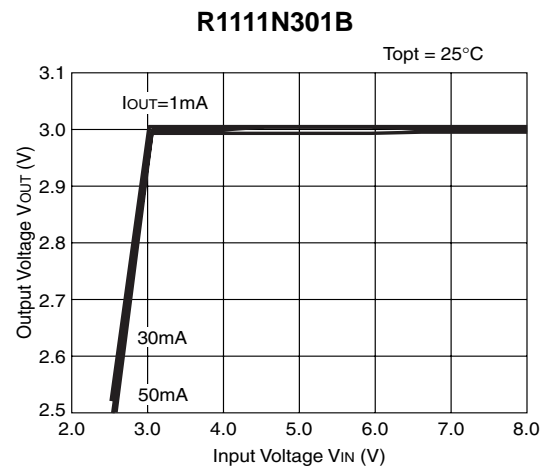
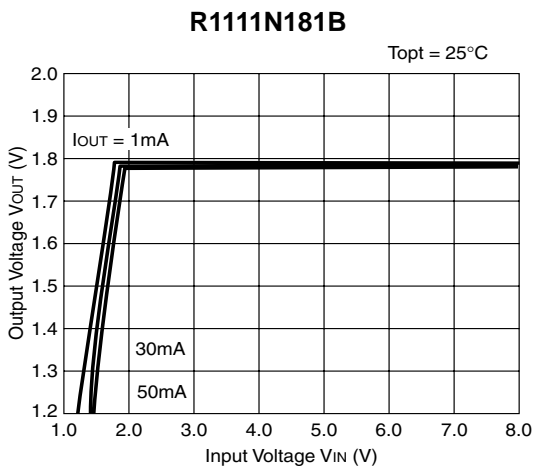
Fig.4 Load Transient Response Test Circuit

TYPICAL CHARACTERISTICS

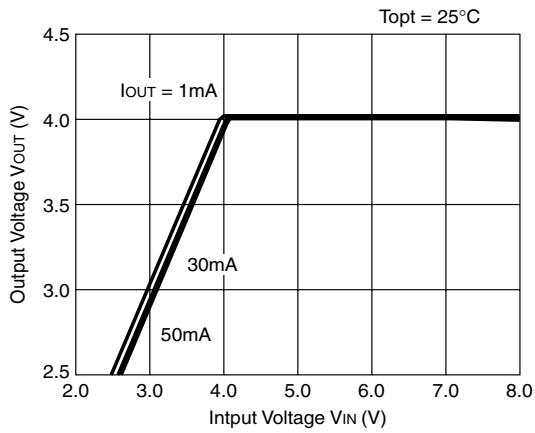
1) Output Voltage vs. Output Current



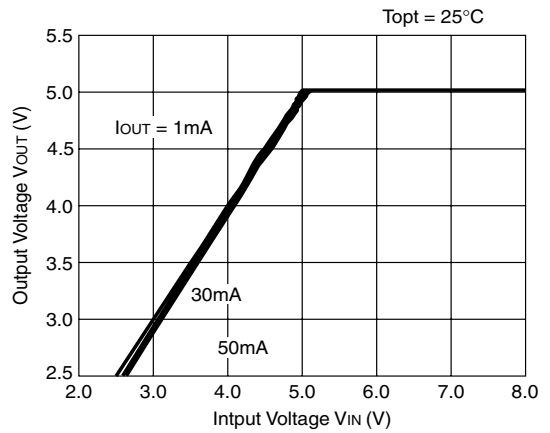
2) Output Voltage vs. Input Voltage



R1111N401B

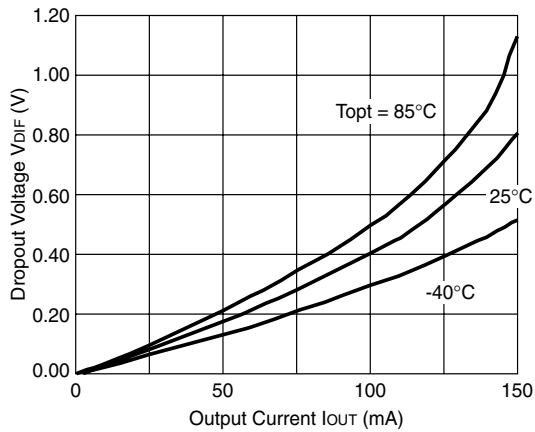


R1111N501B

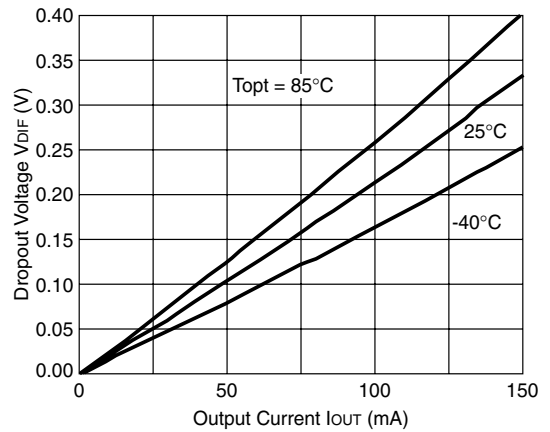


3) Dropout Voltage vs. Output Current

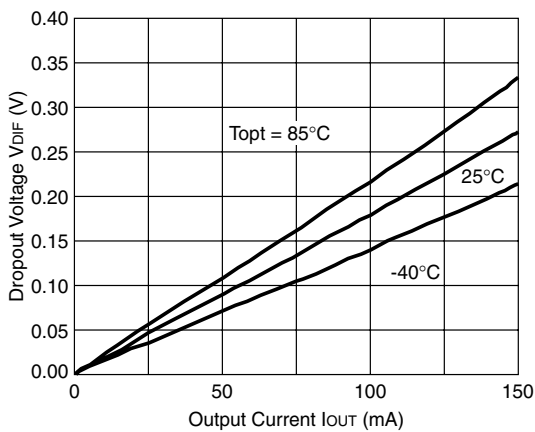
R1111N181B



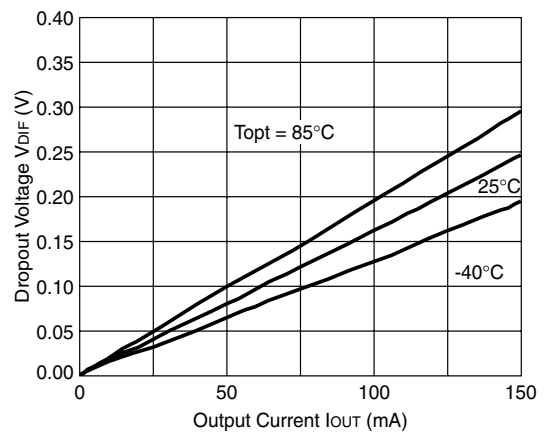
R1111N301B



R1111N401B

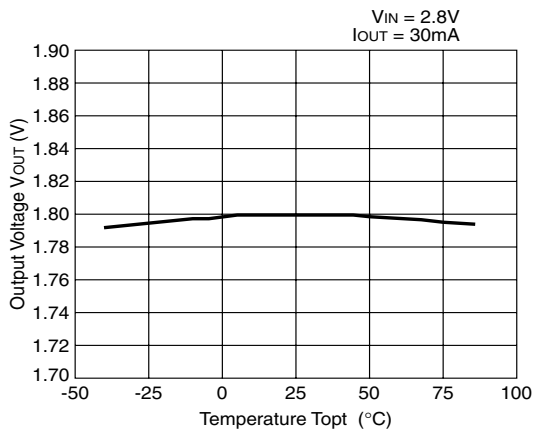


R1111N501B

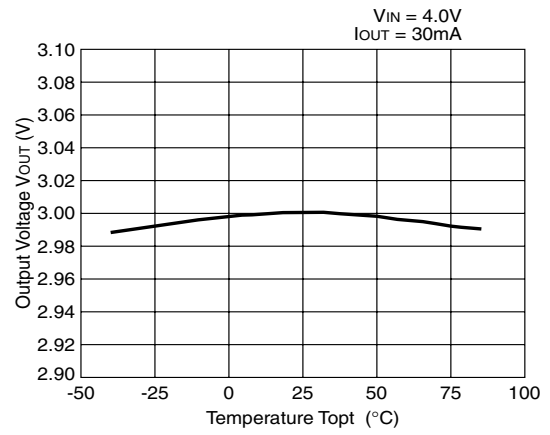


4) Output Voltage vs. Temperature

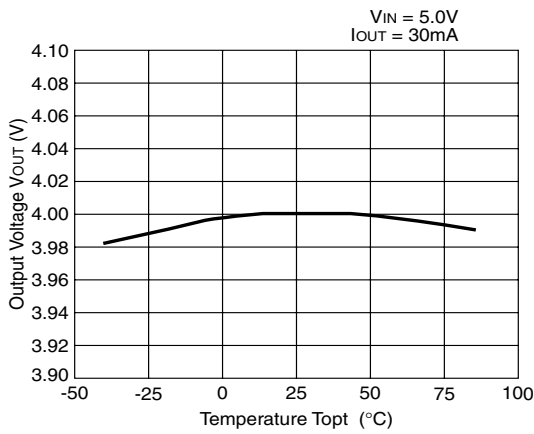
R1111N181B



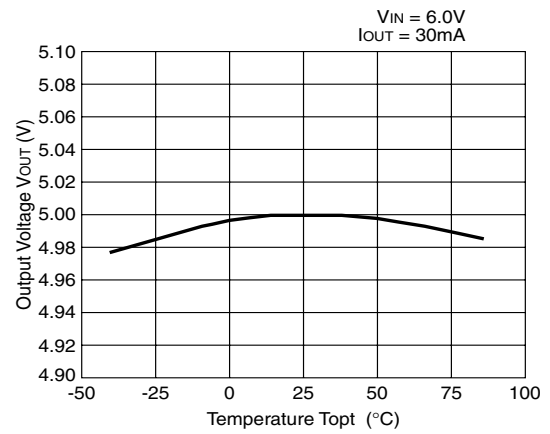
R1111N301B



R1111N401B

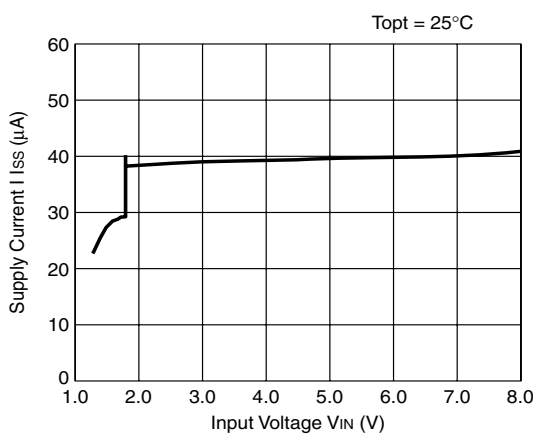


R1111N501B

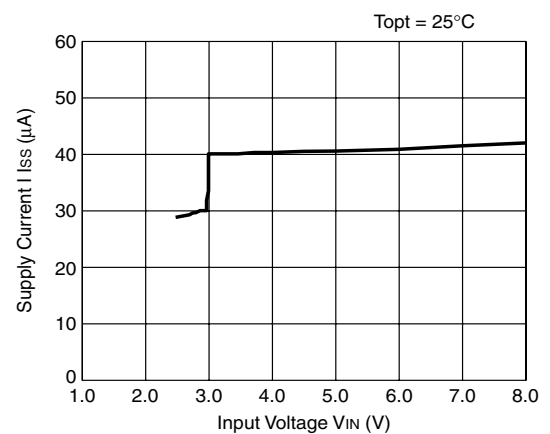


5) Supply Current vs. Input Voltage

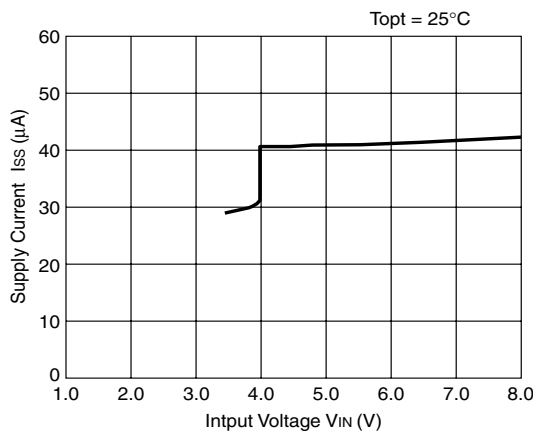
R1111N181B



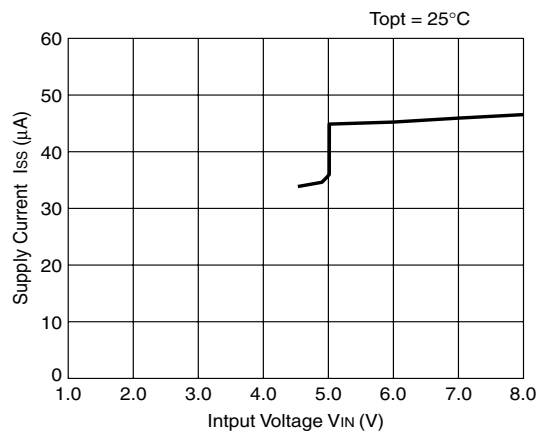
R1111N301B



R1111N401B

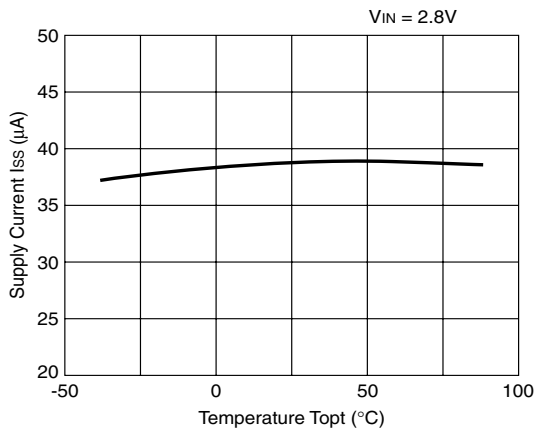


R1111N501B

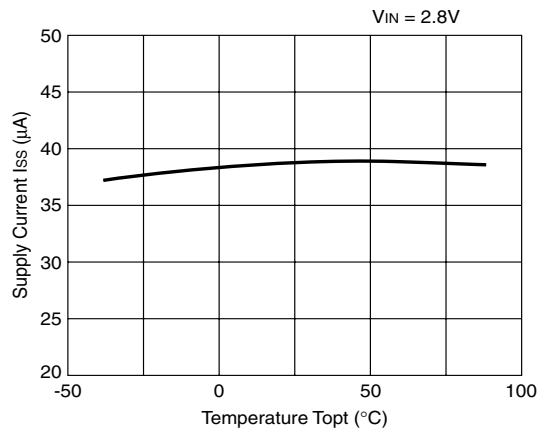


6) Supply Current vs. Temperature

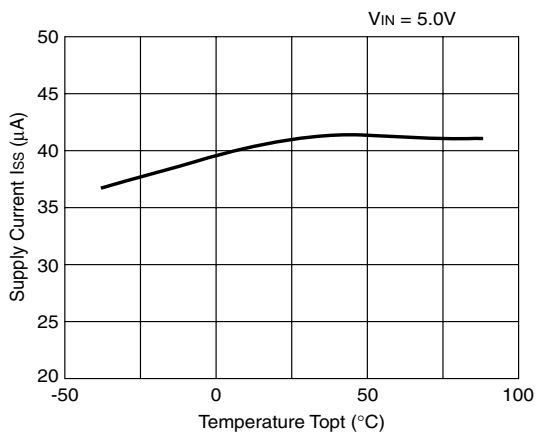
R1111N181B



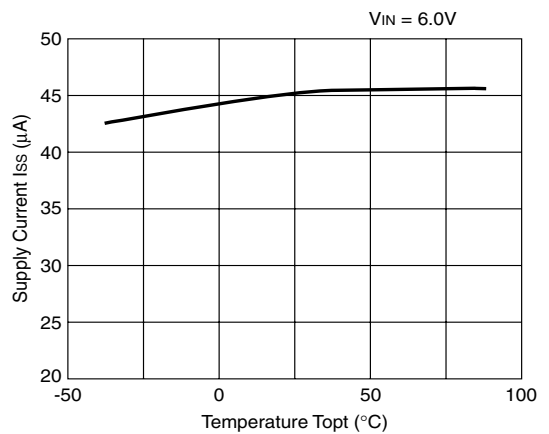
R1111N301B



R1111N401B



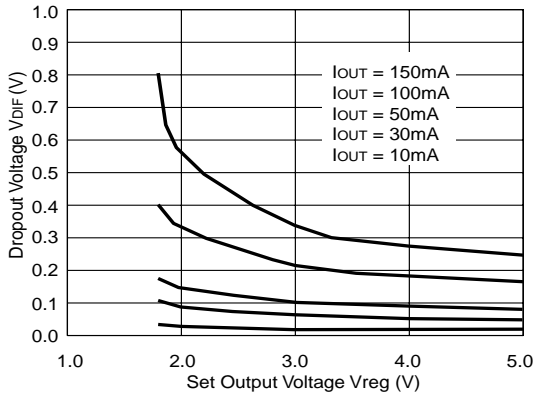
R1111N501B



7) Dropout Voltage vs. Set Output Voltage

R1111Nxx1B

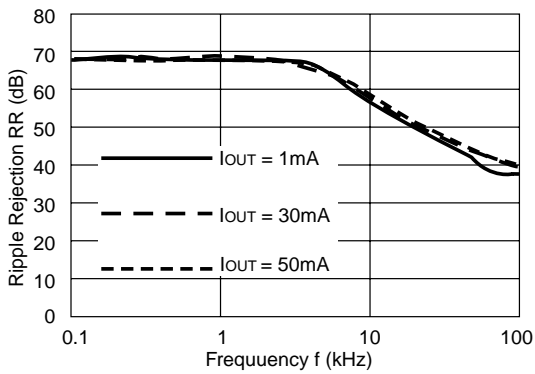
Topt = 25 °C



8) Ripple Rejection vs. Frequency

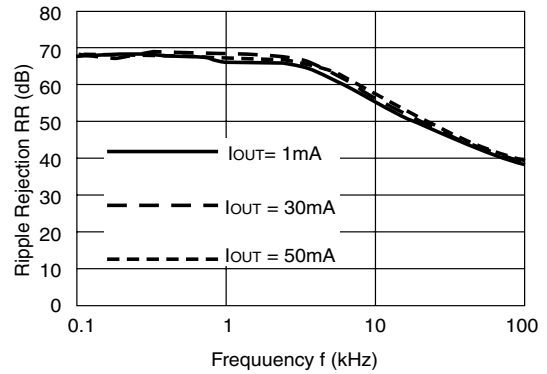
R1111N181B

V_{IN} = 2.8V_{DC} + 0.5V_{p-p}
C_{OUT} = tantal 1.0μF



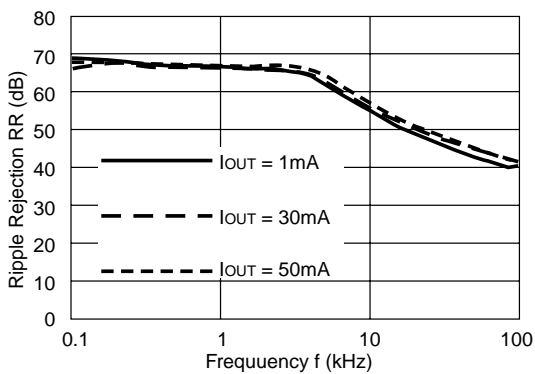
R1111N181B

V_{IN} = 2.8V_{DC} + 0.5V_{p-p}
C_{OUT} = tantal 2.2μF



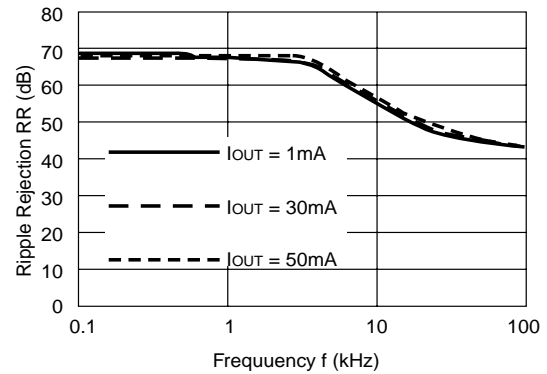
R1111N301B

V_{IN} = 4V_{DC} + 0.5V_{p-p}
C_{OUT} = tantal 1.0μF



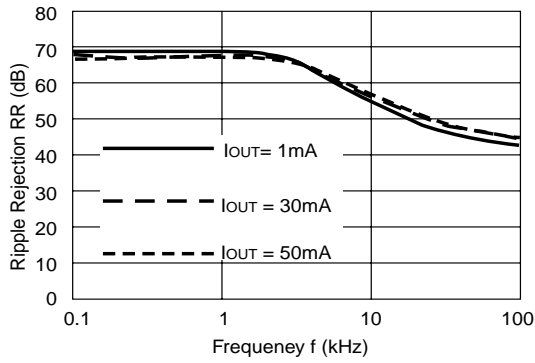
R1111N301B

V_{IN} = 4V_{DC} + 0.5V_{p-p}
C_{OUT} = tantal 2.2μF



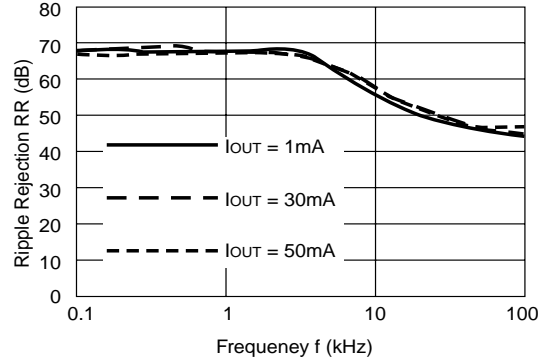
R1111N401B

$V_{IN} = 5.0V_{DC} + 0.5V_{p-p}$
 $C_{OUT} = \text{tantal } 1.0\mu F$



R1111N401B

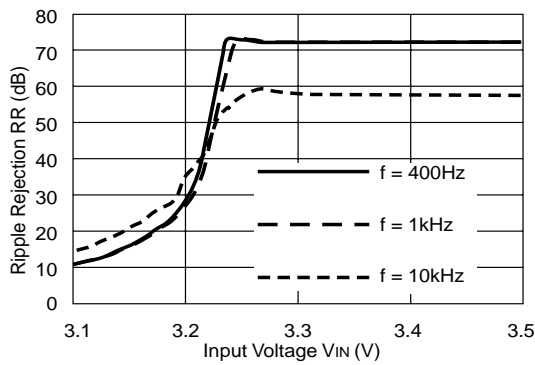
$V_{IN} = 5.0V_{DC} + 0.5V_{p-p}$
 $C_{OUT} = \text{tantal } 2.2\mu F$



9) Ripple Rejection vs. Input Voltage (DC bias)

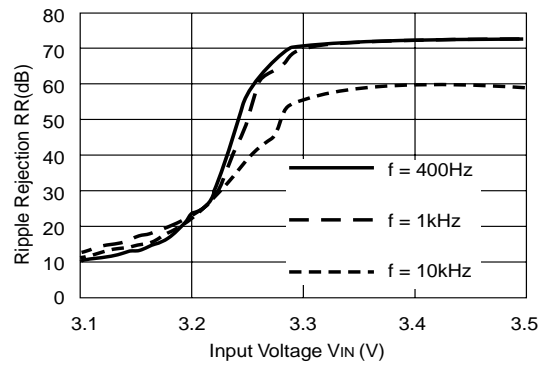
R1111N301B

$I_{OUT} = 1mA$
 $C_{OUT} = 2.2\mu F$



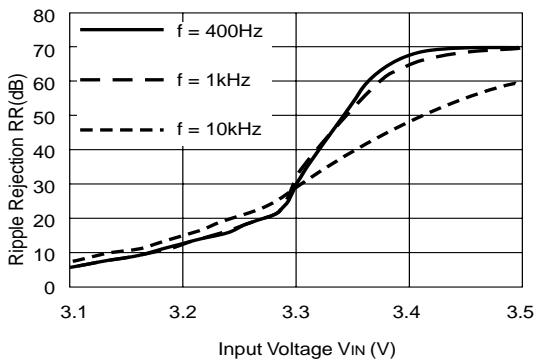
R1111N301B

$I_{OUT} = 10mA$
 $C_{OUT} = 2.2\mu F$



R1111N301B

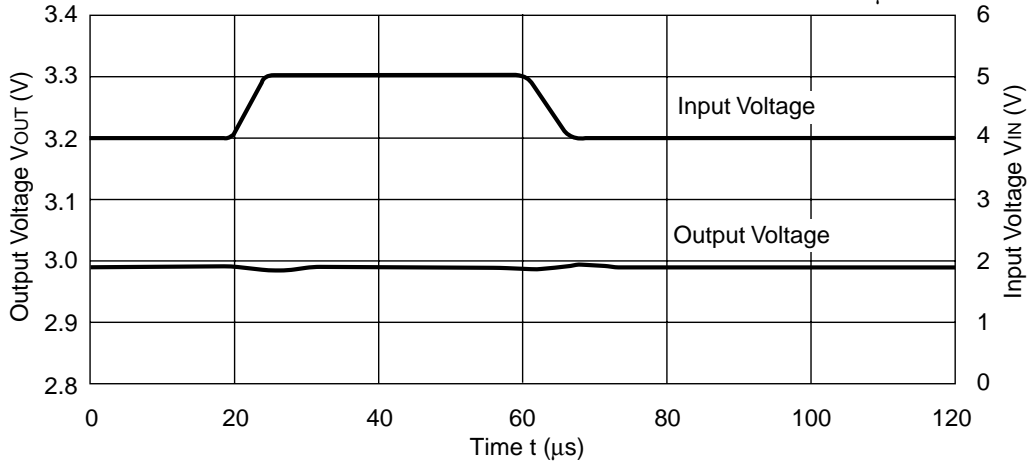
$I_{OUT} = 50mA$
 $C_{OUT} = 2.2\mu F$



10) Input Transient Response

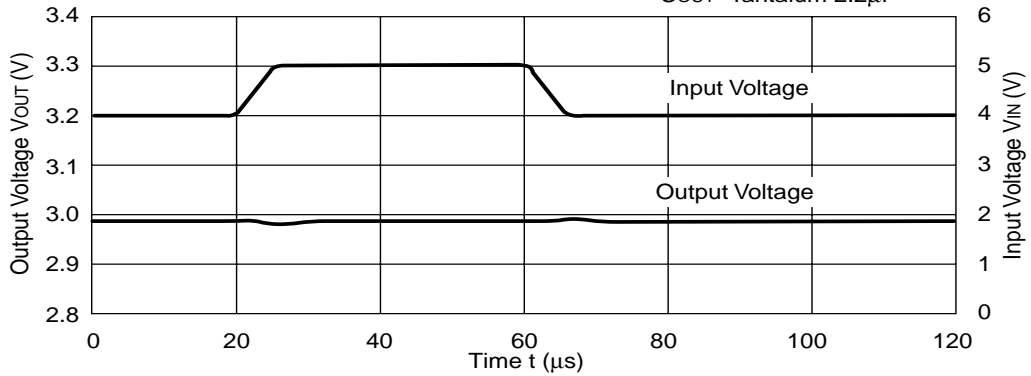
R1111N301B

$I_{OUT}=30mA$
 $t_r=t_f=5\ \mu s$
 $C_{OUT}=\text{Tantalum } 1.0\mu F$



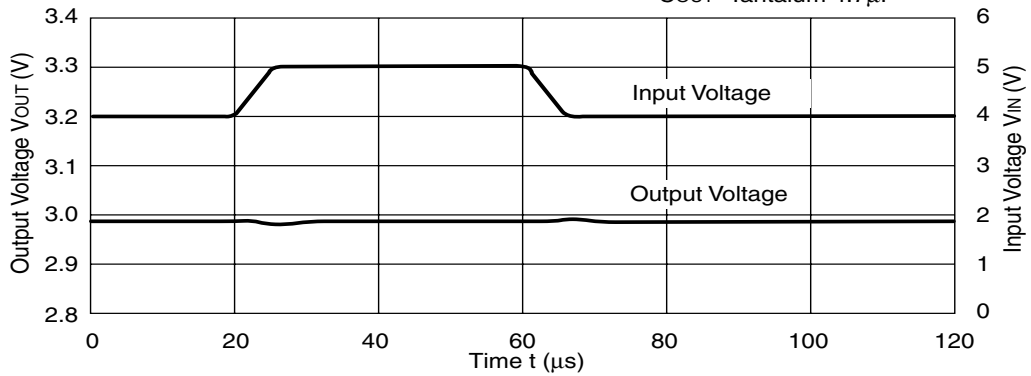
R1111N301B

$I_{OUT}=30mA$
 $t_r=t_f=5\ \mu s$
 $C_{OUT}=\text{Tantalum } 2.2\mu F$



R1111N301B

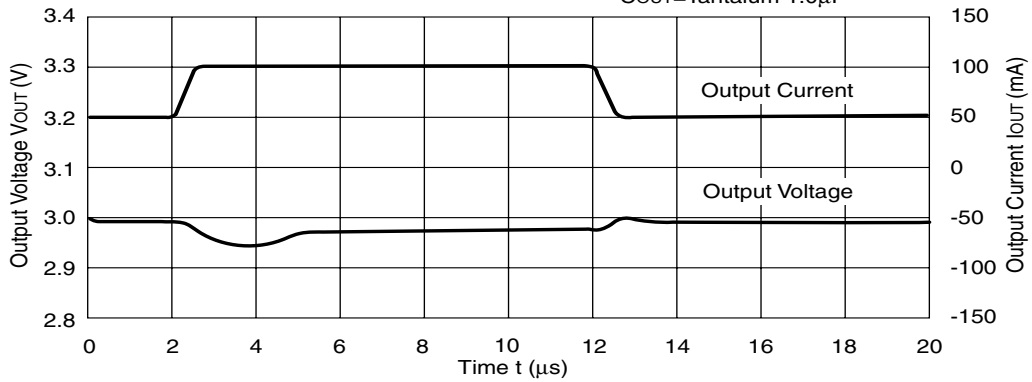
$I_{OUT}=30mA$
 $t_r=t_f=5\ \mu s$
 $C_{OUT}=\text{Tantalum } 4.7\mu F$



11) Load Transient Response

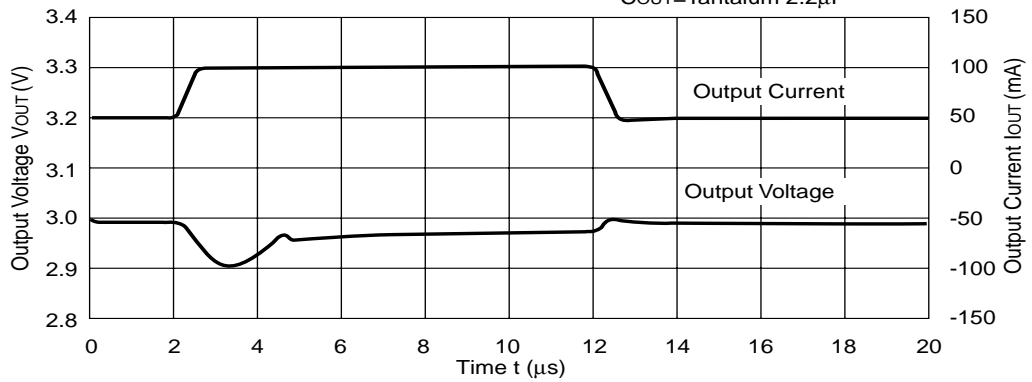
R1111N301B

V_{IN}=4V
C_{IN}=Tantalum 1μF
C_{OUT}=Tantalum 1.0μF



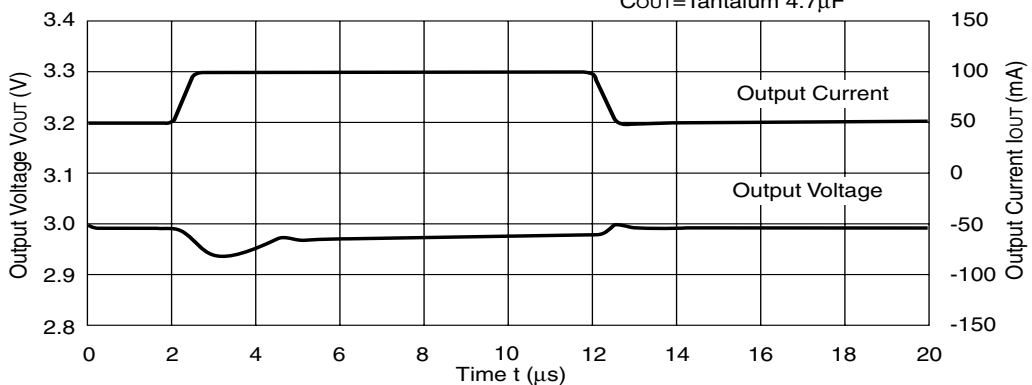
R1111N301B

V_{IN}=4V
C_{IN}=Tantalum 1μF
C_{OUT}=Tantalum 2.2μF



R1111N301B

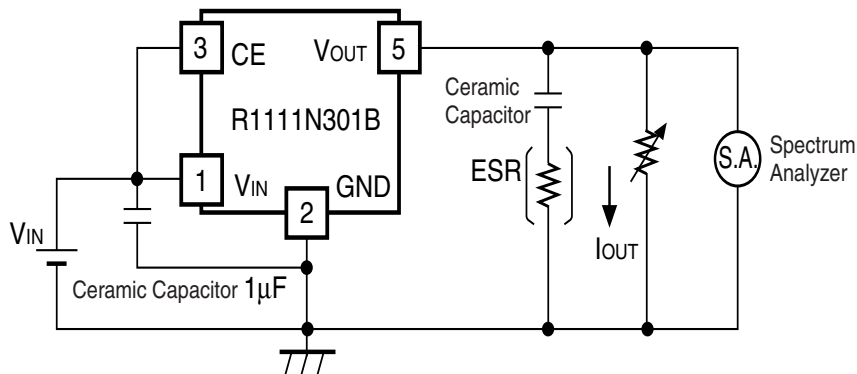
V_{IN}=4V
C_{IN}=Tantalum 1μF
C_{OUT}=Tantalum 4.7μF



TECHNICAL NOTES

When using these ICs, consider the following points:

In these ICs, phase compensation is made for securing stable operation even if the load current is varied. For this purpose, be sure to use a capacitor C_{OUT} with good frequency characteristics and ESR (Equivalent Series Resistance) of which is in the range described as follows:



Measuring Circuit for white noise; R1111N301B

The relationship between I_{OUT} (output current) and ESR of output capacitor is shown in the graphs below. The conditions when the white noise level is under 40mV (Avg.) are indicated by the hatched area in the graph.

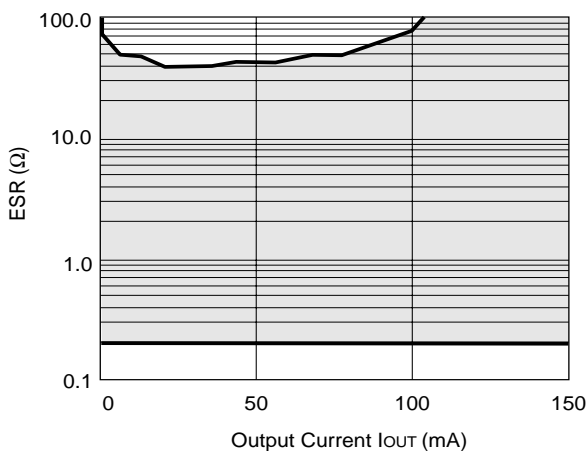
(note: When the additional ceramic capacitors are connected to the output pin with output capacitor for phase compensation, the operation might be unstable. Because of this, test these ICs with as the same external components as the ones to be used on the PCB.)

<Measurement conditions>

- (1) $V_{IN}=4V$
- (2) Frequency Band: 10Hz to 1MHz
- (3) Temperature: 25°C

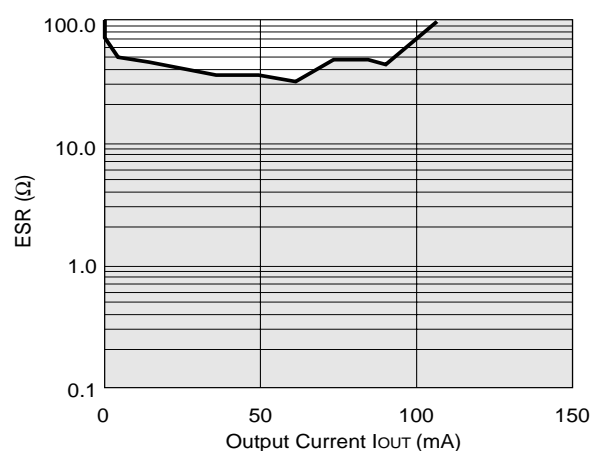
R1111N301B

Ceramic 1.0µF



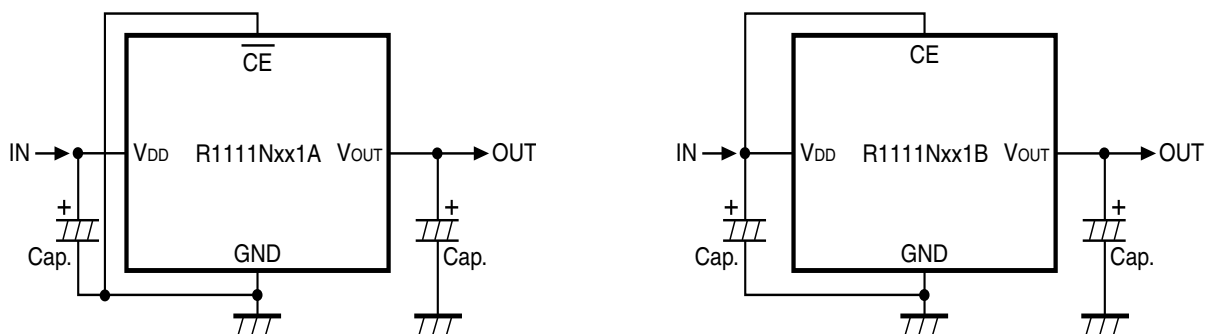
R1111N301B

Ceramic 2.2µF



- Make V_{DD} and GND lines sufficient. If their impedance is high, noise pick up or incorrect operation may result.
- Connect the capacitor with a capacitance of $1\mu\text{F}$ or more between V_{DD} and GND as close as possible.
- Set external components, especially the output capacitor, as close as possible to the ICs and make wiring as short as possible.

TYPICAL APPLICATION





1. The products and the product specifications described in this document are subject to change or discontinuation of production without notice for reasons such as improvement. Therefore, before deciding to use the products, please refer to Ricoh sales representatives for the latest information thereon.
2. The materials in this document may not be copied or otherwise reproduced in whole or in part without prior written consent of Ricoh.
3. Please be sure to take any necessary formalities under relevant laws or regulations before exporting or otherwise taking out of your country the products or the technical information described herein.
4. The technical information described in this document shows typical characteristics of and example application circuits for the products. The release of such information is not to be construed as a warranty of or a grant of license under Ricoh's or any third party's intellectual property rights or any other rights.
5. The products listed in this document are intended and designed for use as general electronic components in standard applications (office equipment, telecommunication equipment, measuring instruments, consumer electronic products, amusement equipment etc.). Those customers intending to use a product in an application requiring extreme quality and reliability, for example, in a highly specific application where the failure or misoperation of the product could result in human injury or death (aircraft, spacevehicle, nuclear reactor control system, traffic control system, automotive and transportation equipment, combustion equipment, safety devices, life support system etc.) should first contact us.
6. We are making our continuous effort to improve the quality and reliability of our products, but semiconductor products are likely to fail with certain probability. In order to prevent any injury to persons or damages to property resulting from such failure, customers should be careful enough to incorporate safety measures in their design, such as redundancy feature, fire containment feature and fail-safe feature. We do not assume any liability or responsibility for any loss or damage arising from misuse or inappropriate use of the products.
7. Anti-radiation design is not implemented in the products described in this document.
8. Please contact Ricoh sales representatives should you have any questions or comments concerning the products or the technical information.



Ricoh is committed to reducing the environmental loading materials in electrical devices with a view to contributing to the protection of human health and the environment.

Ricoh has been providing RoHS compliant products since April 1, 2006 and Halogen-free products since April 1, 2012.

RICOH RICOH ELECTRONIC DEVICES CO., LTD.

<http://www.e-devices.ricoh.co.jp/en/>

Sales & Support Offices

RICOH ELECTRONIC DEVICES CO., LTD.

Higashi-Shinagawa Office (International Sales)
3-32-3, Higashi-Shinagawa, Shinagawa-ku, Tokyo 140-8655, Japan
Phone: +81-3-5479-2857 Fax: +81-3-5479-0502

RICOH EUROPE (NETHERLANDS) B.V.

Semiconductor Support Centre
Prof. W.H. Keesomlaan 1, 1183 DJ Amstelveen, The Netherlands
Phone: +31-20-5474-309

RICOH ELECTRONIC DEVICES KOREA CO., LTD.

3F, Haesung Bldg. 504, Teheran-ro, Gangnam-gu, Seoul, 135-725, Korea
Phone: +82-2-2135-5700 Fax: +82-2-2051-5713

RICOH ELECTRONIC DEVICES SHANGHAI CO., LTD.

Room 403, No.2 Building, No.690 Bilbo Road, Pu Dong New District, Shanghai 201203,
People's Republic of China
Phone: +86-21-5027-3200 Fax: +86-21-5027-3299

RICOH ELECTRONIC DEVICES CO., LTD.

Taipei office
Room 109, 10F-1, No.51, Hengyang Rd., Taipei City, Taiwan (R.O.C.)
Phone: +886-2-2313-1621/1622 Fax: +886-2-2313-1623