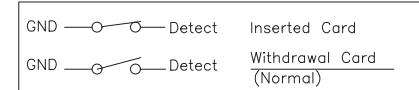


NOTE:

△ Material & Finish See Table;

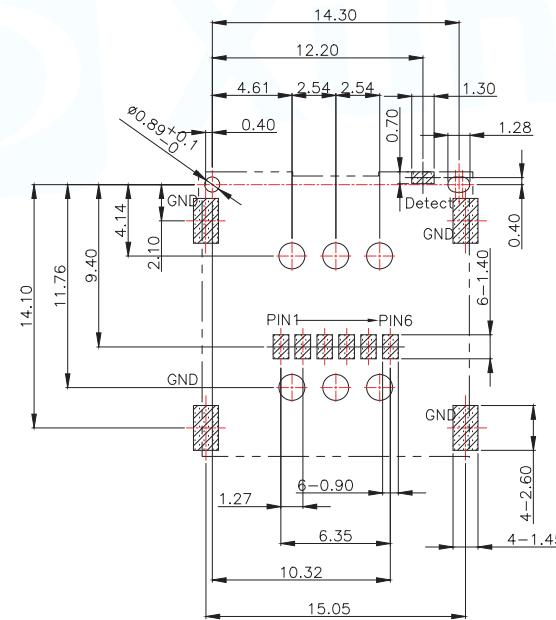
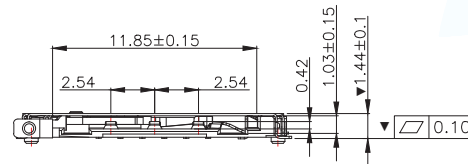
2. Circuit Diagram For Switch



3. Characteristic:

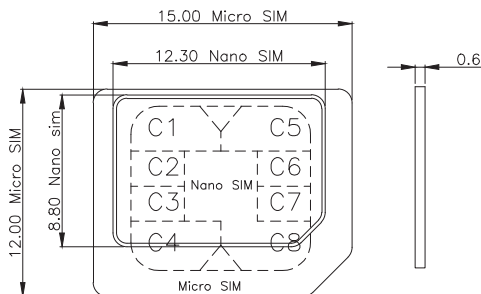
- 3-1.Current Rating :1A max.
- 3-2.Contact Resistance:50mOhms max
- 3-3.Insulation Resistance:100M0hms min./500VDC
- 3-4.Dielectric Withstanding Voltage:500VAC/1minute
- 3-5.Mating Force: 10N Max, Withdrawal Force: 1N Min.;
- 3-6.Durability: 1500 Cycles
- 3-7.Operating Temperature:-25°C to+85°C

PIN 1#	C1: VCC
PIN 2#	C5: Grand
PIN 3#	C2: Reset
PIN 4#	C6: VPP
PIN 5#	C3: Clock
PIN 6#	C7: I/O



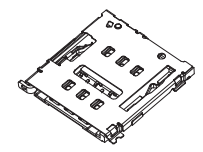
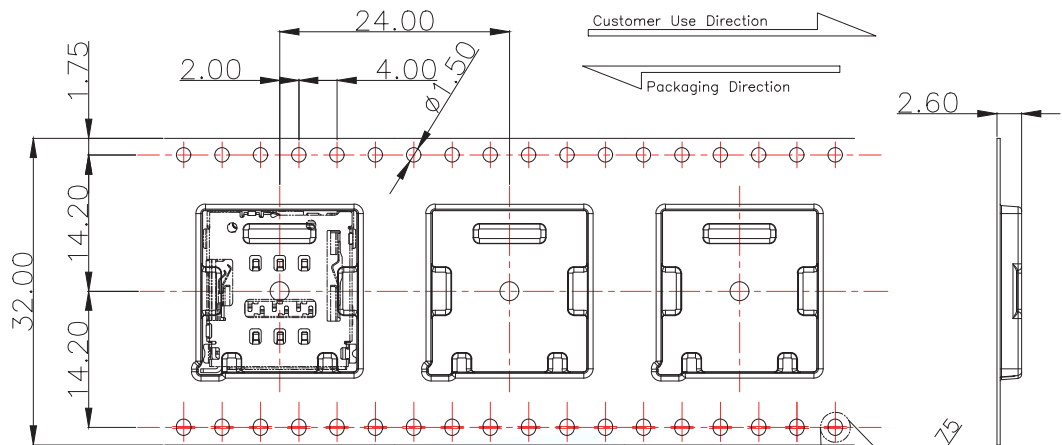
▨ PAD AREA
 ■ KEEP OUT AREA

RECOMMENDED PCB LAYOUT
 GENERAL TOLERANCE ±0.05

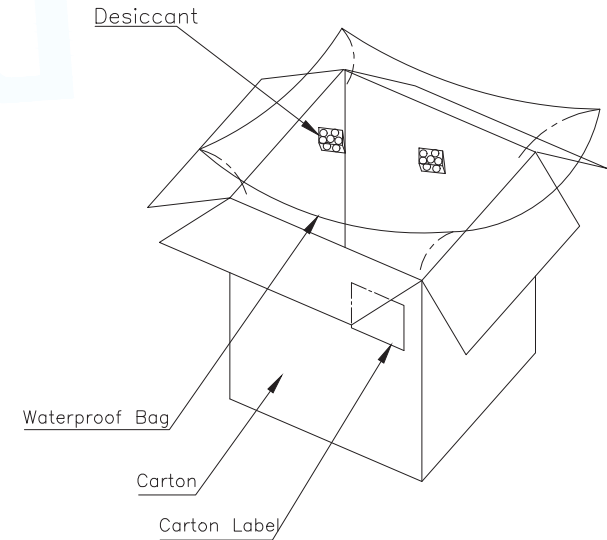
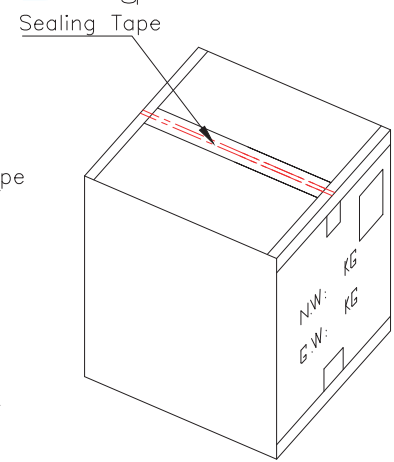
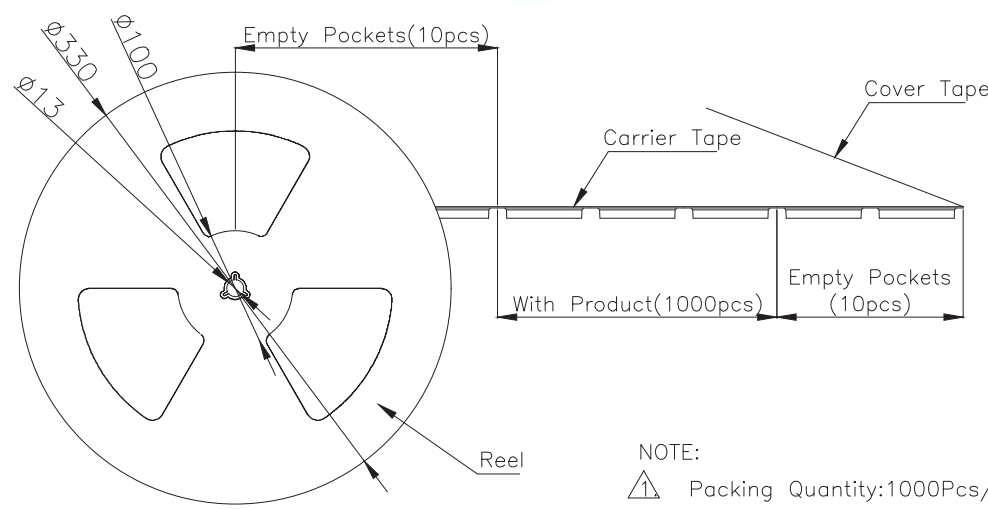
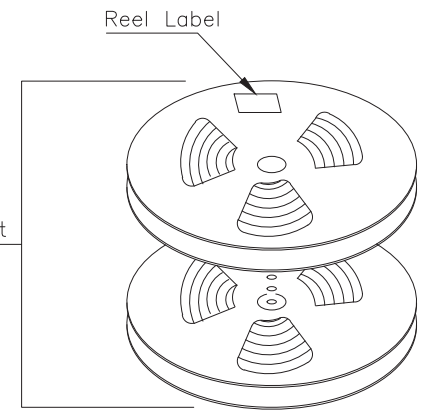


6	Shell	Stainless Steel	Nickel Under Plated Overall.
5	Lever	Stainless Steel	/
4	Cam	Stainless Steel	/
3	Housing	Thermoplastics	Black,UL94V-0
2	Detect	Copper Alloy	Gold Flash on Solder Tails and Contact Area; Nickel Under Plated Overall.
1	Terminal	Copper Alloy	Gold Flash on Solder Tails and Contact Area; Nickel Under Plated Overall.

Item	Part Name	Material	Description
MANUFACTURE DWG UNLESS OTHERWISE SPECIFIED TOLERANCES DECIMALS: X.:±0.50 X.X:±0.20 X.XX:±0.10 ANGLES: X.°:±2' X.X°:±1'			
东莞市讯普电子科技有限公司 DongGuan XunPu Electronics Co.,Ltd		TITLE:NANO SIM CARD H1.5 6pin 带检测PIN	
PAR DWN CHKD APVD		SMN-328-ACP7 UNIT:MM SCALE:1:1 SIZE:A4	
CUSTOMER COPY		SHEET:1F1 REV:A	



Reel with Product
10 Reel



NOTE:
 1. Packing Quantity: 1000Pcs/Reel, 10Kpcs/Carton;
 2. When Carton Fill Zero, Then Fill of Polyethylene Foam;

MANUFACTURE DWG		东莞市讯普电子科技有限公司 DongGuan XunPu Electronics Co., Ltd	
UNLESS OTHERWISE SPECIFIED TOLERANCES		TITLE: NANO SIM CARD H1.5 6pin 带检测PIN 包装图	
DECIMALS:	ANGLES:	PAR	SMN-328-ACP7
X.: ±0.50	X.°: ±2'	DWN	
X.X: ±0.20	X.X°: ±1'	CHKD	
X.XX: ±0.10		APVD	
CUSTOMER COPY		SCALE: 1:1	UNIT: MM
		SIZE: A4	SHEET: 1F1
			REV: A