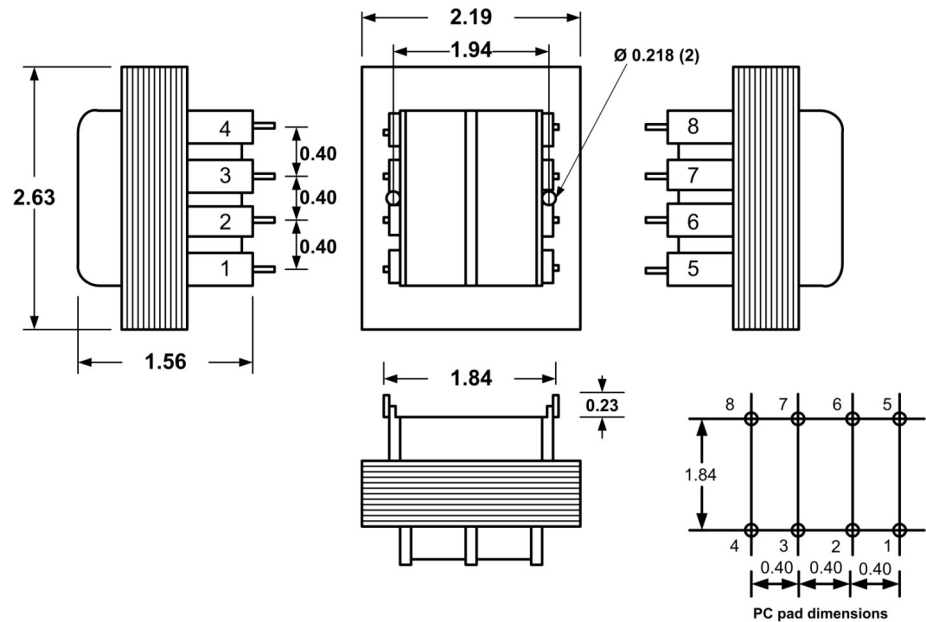


CAPTAIN CLASS - PRINTED CIRCUIT MOUNT, STANDARD PROFILE POWER TRANSFORMER



1. Electrical Specifications

- A. Maximum Power: 36VA
- B. Input Voltage and Frequency: 115V, 115/230V, 230V @ 50/60Hz
- C. Voltage Regulation: 13% TYP @ Full Load to No Load
- D. Temperature Rise: 40°C TYP
- E. Insulation Resistance: > 1 MEG ohm
- F. Hi-Pot: 2500 Vrms 1 minute @ Pri to Sec
2500 Vrms 1 minute @ Pri to Core
1500 Vrms 1 minute @ Sec to Core

2. Marking: Ensign Corp, part number (see table), date code, terminal numbers

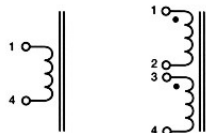
3. Safety:

UL/cUL 5085-2 Recognized (File 47299)

UL 1446 Recognized Insulation System (File 95662)



Primary Schematics



Single Input
(Specify 115V,
120V, 230V or
240V)

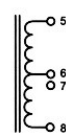


Dual Input
(Specify
115/230V or
120/240V)

Secondary Schematics



Single
Output



Center-Tapped
Output



Dual
Output

| Part No. | | | Series Connection | Parallel Connection |
|-------------|-------------|-------------|-------------------|---------------------|
| 115V | 115/230V | 230V | | |
| P036-1-010X | P036-2-010X | P036-3-010X | 10VCT @ 3.6A | 5V @ 7.2A |
| P036-1-012X | P036-2-012X | P036-3-012X | 12.6VCT @ 2.85A | 6.3V @ 5.7A |
| P036-1-016X | P036-2-016X | P036-3-016X | 16VCT @ 2.25A | 8V @ 4.5A |
| P036-1-020X | P036-2-020X | P036-3-020X | 20VCT @ 1.8A | 10V @ 3.6A |
| P036-1-024X | P036-2-024X | P036-3-024X | 24VCT @ 1.5A | 12V @ 3.0A |
| P036-1-028X | P036-2-028X | P036-3-028X | 28VCT @ 1.3A | 14V @ 2.6A |
| P036-1-036X | P036-2-036X | P036-3-036X | 36VCT @ 1.0A | 18V @ 2.0A |
| P036-1-048X | P036-2-048X | P036-3-048X | 48VCT @ 0.75A | 24V @ 1.5A |
| P036-1-056X | P036-2-056X | P036-3-056X | 56VCT @ 0.65A | 28V @ 1.3A |
| P036-1-120X | P036-2-120X | P036-3-120X | 120VCT @ 0.3A | 60V @ 0.6A |



**POWER TRANSFORMER
CAPTAIN CLASS**

**P036-1-XXXX
P036-2-XXXX
P036-3-XXXX**

CONTENTS OF THIS DRAWING ARE SUBJECT TO CHANGE WITHOUT PRIOR NOTICE

Ensign Corporation
201 ENSIGN RD., BELLEVUE, IA 52031

Dim: Inches

Sheet 1 of 1

PROPRIETARY NOTICE: THIS DRAWING PRINT OR DOCUMENT AND SUBJECT MATTER DISCLOSED HEREIN ARE PROPRIETARY ITEMS TO WHICH ENSIGN RETAINS THE EXCLUSIVE RIGHT OF DISSEMINATION, MANUFACTURE AND SALE. THIS DRAWING, PRINT OR DOCUMENT IS SUBMITTED IN CONFIDENCE FOR CONSIDERATION BY THE RECIPIENT ALONE UNLESS PERMISSION FOR FURTHER DISCLOSURE IS EXPRESSLY GRANTED IN WRITING