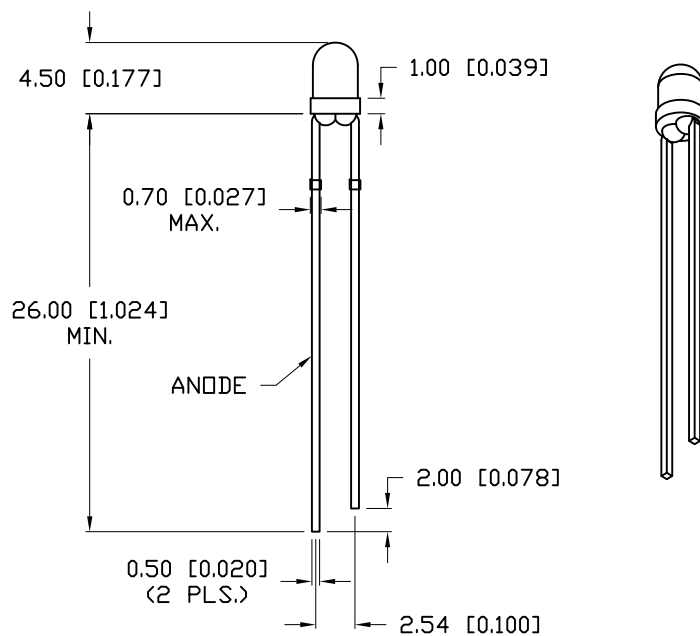
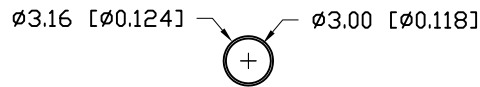


A



ELECTRO-OPTICAL CHARACTERISTICS $T_A=25^{\circ}C$ $I_f=20mA$

PARAMETER	MIN	TYP	MAX	UNITS	TEST COND
PEAK WAVELENGTH		525		nm	
FORWARD VOLTAGE	2.8	3.2	3.6	V_f	
REVERSE VOLTAGE	5.0			V_r	$I_f=10\mu A$
AXIAL INTENSITY	2000	3000	4000	mcd	$I_f=20mA$
VIEWING ANGLE		35		$2x$ theta	
EMITTED COLOR:	GREEN				
EPOXY LENS FINISH:	WATER CLEAR				

LIMITS OF SAFE OPERATION AT $25^{\circ}C$

PARAMETER	MAX	UNITS
PEAK FORWARD CURRENT*	170	mA
STEADY CURRENT	30	mA
POWER DISSIPATION	100	mW
DERATE FROM $25^{\circ}C$	-1.6	$mW/^{\circ}C$
OPERATING, STORAGE TEMP.	-40 TO +85	$^{\circ}C$
SOLDERING TEMP.	+260	$^{\circ}C$
2.0mm FROM BODY		3 SEC. MAX

* $t < 10\mu S$

*UNLESS OTHERWISE SPECIFIED TOLERANCES PER DECIMAL PRECISION ARE: X= ± 1 (± 0.039), X.X= ± 0.5 (± 0.020), X.XX= ± 0.25 (± 0.010), X.XXX= ± 0.127 (± 0.005). LEAD SIZE= ± 0.05 (± 0.002), LEAD LENGTH= ± 0.75 (± 0.030). MIN.= $\begin{matrix} +DECIMAL PRECISION \\ -0.00 \end{matrix}$ MAX.= $\begin{matrix} +0.00 \\ -DECIMAL PRECISION \end{matrix}$



425 N. GARY AVE.
CAROL STREAM, IL 60188-4900
PHONE: +1.800.278.5666
FAX: +1.630.315.2152
WEB: WWW.LUMEX.COM
MEMBER OF ITW PHOTONICS GROUP

T-3mm (T-1) 525nm ULTRA PURE GREEN LED, WATER CLEAR LENS, 3000mcd.

THE SPECIFICATIONS MAY CHANGE AT ANY TIME WITHOUT NOTICE DUE TO NEW MATERIALS OR PRODUCT IMPROVEMENT.

CONFIDENTIAL INFORMATION
THE INFORMATION CONTAINED IN THIS DOCUMENT IS THE PROPERTY OF LUMEX INC. EXCEPT AS SPECIFICALLY AUTHORIZED IN WRITING BY LUMEX INC., THE HOLDER OF THIS DOCUMENT SHALL KEEP ALL INFORMATION CONTAINED HEREIN CONFIDENTIAL AND SHALL PROTECT SAME IN WHOLE OR IN PART FROM DISCLOSURE AND DISSEMINATION TO ALL THIRD PARTIES.

DATE:	04.10.13	DRAWN BY:	MA
PAGE:	1 OF 1	CHKD BY:	DT
SCALE:	NTS	APRVD BY:	DT
UNIT:	mm [INCH]		(P)