

**PLEASE CHECK WWW.MOLEX.COM FOR LATEST PART INFORMATION**

**Part Number:** [0050842020](#)  
**Status:** **Active**  
**Overview:** [mlx](#)  
**Description:** 2.13mm (.084") Diameter MLX™ Pin and Socket Receptacle, 2 Circuits

**Documents:**

[3D Model](#) [Product Specification PSX-42022-0002 \(PDF\)](#)  
[Drawing \(PDF\)](#) [RoHS Certificate of Compliance \(PDF\)](#)  
[Product Specification PS-42022-0001 \(PDF\)](#)

**Agency Certification**

CSA LR19980  
 UL E29179

**General**

Product Family Crimp Housings  
 Series [42022](#)  
 Comments Glow Wire Equivalent Part Number [366440002](#)  
 MolexKits Yes  
 Overview [mlx](#)  
 Product Name MLX™

**Physical**

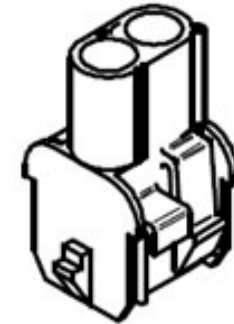
Circuits (maximum) 2  
 Circuits Detail 2  
 Color - Resin Natural  
 Flammability 94V-2  
 Gender Female  
 Glow-Wire Compliant No  
 Keying to Mating Part None  
 Lock to Mating Part Yes  
 Material - Resin Nylon  
 Number of Rows 1  
 Packaging Type Bag  
 Panel Mount Yes  
 Pitch - Mating Interface (in) 0.250 In  
 Pitch - Mating Interface (mm) 6.35 mm  
 Polarized to Mating Part Yes  
 Stackable No  
 Temperature Range - Operating -55°C to +105°C

**Material Info**

Old Part Number 42022-2A

**Reference - Drawing Numbers**

Packaging Specification PK-42022-\*\*  
 Product Specification PS-42022-0001, PSX-42022-0002  
 Sales Drawing SD-42022-\*\*



Series

image - Reference only

**EU RoHS**

**ELV and RoHS Compliant**  
**REACH SVHC**  
 Not Reviewed  
**Halogen-Free Status**

**China RoHS**



**Halogen-Free**

**Need more information on product environmental compliance?**

Email [productcompliance@molex.com](mailto:productcompliance@molex.com)  
 For a multiple part number RoHS Certificate of Compliance, [click here](#)

Please visit the [Contact Us](#) section for any non-product compliance questions.

**Search Parts in this Series**

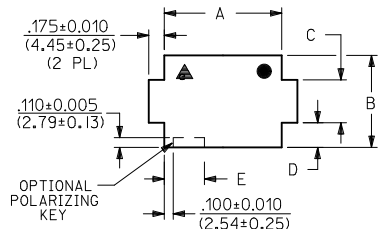
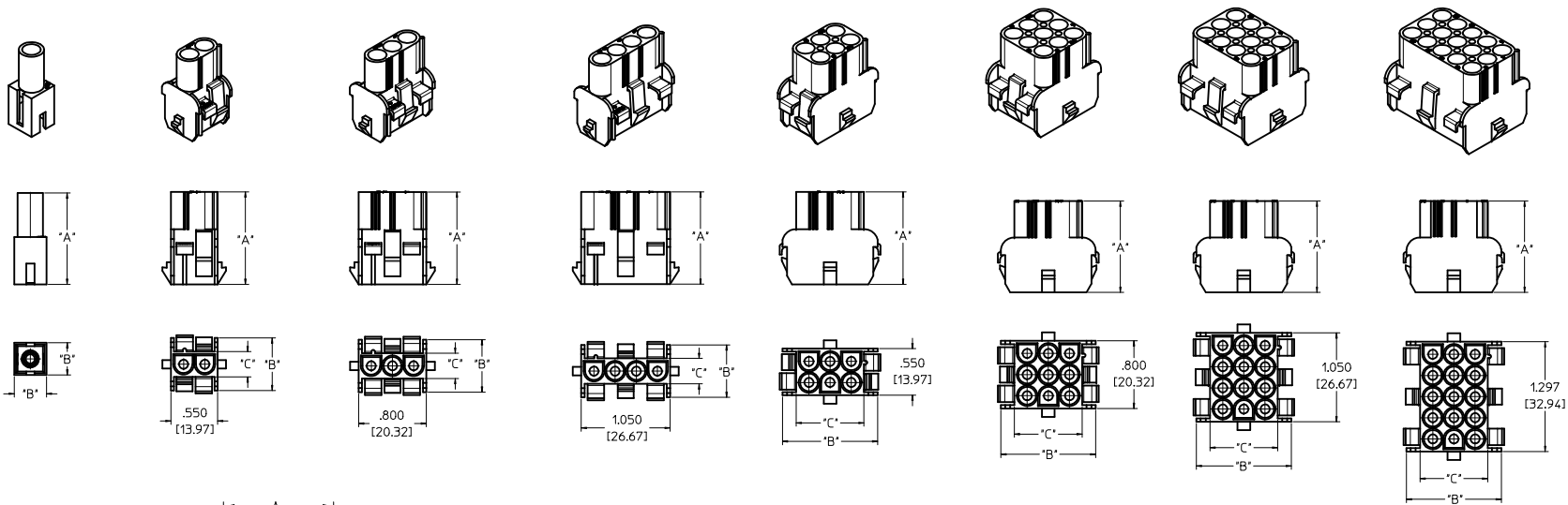
[42022Series](#)

**Mates With**

[42021 MLX™ Power Crimp Housing Plug](#)

**Use With**

MLX Crimp Terminal [42023](#) , [42024](#)



**RECOMMENDED PANEL CUTOUT**

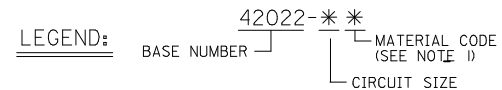
PANEL THICKNESS: .030-.090/(0.76-2.29)  
(SEE NOTE 6)

| CIRCUIT SIZE | DIMENSIONS       |                  |                 |                |                |
|--------------|------------------|------------------|-----------------|----------------|----------------|
|              | A+.005           | B+.005           | C+.010          | D+.010         | E+.010         |
| 2            | .565<br>(14.35)  | .530<br>(13.46)  | .340<br>(8.64)  | .095<br>(2.41) | .250<br>(6.35) |
| 3            | .815<br>(20.70)  | .530<br>(13.46)  | .340<br>(8.64)  | .095<br>(2.41) | .250<br>(6.35) |
| 4            | 1.065<br>(27.05) | .530<br>(13.46)  | .340<br>(8.64)  | .095<br>(2.41) | .250<br>(6.35) |
| 6            | .565<br>(14.35)  | 1.030<br>(26.16) | .480<br>(12.19) | .275<br>(6.99) | .250<br>(6.35) |
| 8            | 2.065<br>(52.45) | .530<br>(13.46)  | .340<br>(8.64)  | .095<br>(2.41) | .250<br>(6.35) |
| 9            | .815<br>(20.70)  | 1.030<br>(26.16) | .480<br>(12.19) | .275<br>(6.99) | .250<br>(6.35) |
| 12           | 1.065<br>(27.05) | 1.030<br>(26.16) | .480<br>(12.19) | .275<br>(6.99) | .350<br>(8.89) |
| 15           | 1.315<br>(33.40) | 1.030<br>(26.16) | .480<br>(12.19) | .275<br>(6.99) | .350<br>(8.89) |

- ▲ - CIRCUIT #1 LOCATION WHEN USING POLARIZING KEY OPTION WITH 2, 3, 4 AND 8 CIRCUIT HOUSINGS.
- - OPTION WITH 6, 9, 12 AND 15 CIRCUIT HOUSINGS.

**NOTES:**

- 1) MATERIAL CODES:
  - \*A\* = PA6/6, V-2  
COLOUR: NATURAL-TRANSLUCENT
  - \*C\* = PA66/6, V-0  
COLOUR: NATURAL-OPAQUE
  - \*D\* = PA6, 94V-2  
COLOUR-NATURAL  
FOR GLOW WIRE APPLICATION WITH  
CTI OF 325 VOLTS,AS PER IEC-60335-1 4TH EDITION
  - \*E\* = NYLON PA6, 94V-2  
COLOUR- BLACK (ZYTEL 101F)
- 2) UNLESS OTHERWISE INDICATED, DIMENSIONS ARE FOR REFERENCE ONLY.
- 3) CAP HOUSINGS MATE WITH :
  - PLUG HOUSINGS, .084/(2.13) DIA. SERIES: (42021-\*\*)
- 4) HOUSINGS DESIGNED TO BE USED WITH TERMINALS:
  - PINS, .084/(2.13) DIA. SERIES: (42023-\*\*\*\*)
  - SOCKETS, .084/(2.13) DIA. SERIES: (42024-\*\*\*\*)
- 5) CONTACTS ARE ON .250/(6.35) GRID CENTERLINE SPACING.
- 6) PANEL TO BE PUNCHED SO THAT THE HOUSING ENTERS THE PANEL OPPOSITE THE SIDE WITH THE BURR (I.E. OPPOSITE THE BREAK SIDE).
- 7) PRODUCT SPECIFICATION PS-42022-0001 APPLIES.
- 8) LEGEND SCHEME IS NOT APPLICABLE FOR GLOW WIRE COMPATIBLE PART NUMBERS



|   |  |  |                                    |                                       |  |   |  |
|---|--|--|------------------------------------|---------------------------------------|--|---|--|
| ENTER DESCRIPTION<br>EC NO: 2005-0548 2009/11/15<br>CHN: 0000000000<br>APPR: APPROASAD 2009/12/07 | QUALITY SYMBOLS                                      | GENERAL TOLERANCES (UNLESS SPECIFIED)  | DIMENSION STYLE                    | SCALE                                 | DESIGN UNITS                           | THIRD ANGLE PROJECTION                          |  |
|   | ▽=0<br>▽=0   | mm INCH  | MM ONLY                            | 2:1                                   | METRIC                                 |   |  |
|   |  | 4 PLACES ± --- ± ---<br>3 PLACES ± --- ± ---<br>2 PLACES ± 0.25 ± ---<br>1 PLACE ± 0.36 ± ---<br>ANGULAR ± --- ° | DRAWN BY<br>RK<br>DATE<br>87/11/15 | CHECKED BY<br>GWF<br>DATE<br>87/11/15 | APPROVED BY<br>GWF<br>DATE<br>87/11/15 | TITLE<br>HOUSING CAP<br>.084/(2.13) DIA. SERIES |  |
|   | DRAFT WHERE APPLICABLE MUST REMAIN WITHIN DIMENSIONS | MATERIAL NO.<br>9999999999   | DOCUMENT NO.<br>SD-42022-**-*      | MOLEX INCORPORATED                    |  | SHEET NO.<br>1 OF 2                             |  |

| PART NO.    | ENG. NO.  | CIRCUIT SIZE | MATERIAL (SEE NOTE 1) | STATUS | DIM. "A"         | DIM. "B"         | DIM. "C"        |
|-------------|-----------|--------------|-----------------------|--------|------------------|------------------|-----------------|
| 050-84-2010 | 42022-1A  | 1            | A                     | ACTIVE | 1.090<br>(27.70) | .380<br>(9.65)   | ----            |
| 050-84-2012 | 42022-1C  | 1            | C                     | ACTIVE |                  |                  |                 |
| 366440001   | 36644-001 | 1            | D                     | ACTIVE |                  |                  |                 |
| 366480021   | 36648-021 | 1            | E                     | ACTIVE |                  |                  |                 |
| 050-84-2020 | 42022-2A  | 2            | A                     | ACTIVE | 1.090<br>(27.70) | .620<br>(15.75)  | .300<br>(7.62)  |
| 050-84-2022 | 42022-2C  | 2            | C                     | ACTIVE |                  |                  |                 |
| 366440002   | 36644-002 | 2            | D                     | ACTIVE |                  |                  |                 |
| 366480022   | 36648-022 | 2            | E                     | ACTIVE |                  |                  |                 |
| 050-84-2030 | 42022-3A  | 3            | A                     | ACTIVE | 1.090<br>(27.70) | .620<br>(15.75)  | .300<br>(7.62)  |
| 050-84-2032 | 42022-3C  | 3            | C                     | ACTIVE |                  |                  |                 |
| 366440003   | 36644-003 | 3            | D                     | ACTIVE |                  |                  |                 |
| 366480023   | 36648-023 | 3            | E                     | ACTIVE |                  |                  |                 |
| 050-84-2040 | 42022-4A  | 4            | A                     | ACTIVE | 1.090<br>(27.70) | .620<br>(15.75)  | .300<br>(7.62)  |
| 050-84-2042 | 42022-4C  | 4            | C                     | ACTIVE |                  |                  |                 |
| 366440004   | 36644-004 | 4            | D                     | ACTIVE |                  |                  |                 |
| 366480024   | 36648-024 | 4            | E                     | ACTIVE |                  |                  |                 |
| 050-84-2060 | 42022-6A  | 6            | A                     | ACTIVE | 1.090<br>(27.70) | 1.120<br>(28.45) | .800<br>(20.32) |
| 050-84-2062 | 42022-6C  | 6            | C                     | ACTIVE |                  |                  |                 |
| 366440005   | 36644-005 | 6            | D                     | ACTIVE |                  |                  |                 |
| 366480025   | 36648-025 | 6            | E                     | ACTIVE |                  |                  |                 |
| 050-84-2090 | 42022-9A  | 9            | A                     | ACTIVE | 1.090<br>(27.70) | 1.120<br>(28.45) | .800<br>(20.32) |
| 050-84-2092 | 42022-9C  | 9            | C                     | ACTIVE |                  |                  |                 |
| 366440006   | 36644-006 | 9            | D                     | ACTIVE |                  |                  |                 |
| 366480026   | 36648-026 | 9            | E                     | ACTIVE |                  |                  |                 |
| 050-84-2120 | 42022-12A | 12           | A                     | ACTIVE | 1.090<br>(27.70) | 1.120<br>(28.45) | .800<br>(20.32) |
| 050-84-2122 | 42022-12C | 12           | C                     | ACTIVE |                  |                  |                 |
| 366440007   | 36644-007 | 12           | D                     | ACTIVE |                  |                  |                 |
| 366480027   | 36648-027 | 12           | E                     | ACTIVE |                  |                  |                 |
| 050-84-2150 | 42022-15A | 15           | A                     | ACTIVE | 1.090<br>(27.70) | 1.120<br>(28.45) | .800<br>(20.32) |
| 050-84-2152 | 42022-15C | 15           | C                     | ACTIVE |                  |                  |                 |
| 366440008   | 36644-008 | 15           | D                     | ACTIVE |                  |                  |                 |
| 366480028   | 36648-028 | 15           | E                     | ACTIVE |                  |                  |                 |

| <b>ENTER DESCRIPTION</b><br>EC NO: 2005-0545 2006/11/08<br>CHKD: PERSAD 2006/11/23<br>APPR: PERSAD 2006/12/07                 | <b>QUALITY SYMBOLS</b><br>60<br>90                         | <b>GENERAL TOLERANCES (UNLESS SPECIFIED)</b><br><table border="1"> <tr> <th></th> <th>mm</th> <th>INCH</th> </tr> <tr> <td>4 PLACES</td> <td>± .15</td> <td>± .005</td> </tr> <tr> <td>3 PLACES</td> <td>± .10</td> <td>± .004</td> </tr> <tr> <td>2 PLACES</td> <td>± 0.25</td> <td>± .010</td> </tr> <tr> <td>1 PLACE</td> <td>± 0.36</td> <td>± .014</td> </tr> <tr> <td>ANGULAR</td> <td>± .005</td> <td>± .0005</td> </tr> </table> |   | mm                           | INCH                | 4 PLACES | ± .15 | ± .005 | 3 PLACES | ± .10 | ± .004 | 2 PLACES | ± 0.25 | ± .010 | 1 PLACE | ± 0.36 | ± .014 | ANGULAR | ± .005 | ± .0005 | <b>DIMENSION STYLE</b><br>MM ONLY | SCALE<br>DESIGN UNITS<br>METRIC | THIRD ANGLE PROJECTION |
|---|--|--|---|------------------------------|---------------------|----------|-------|--------|----------|-------|--------|----------|--------|--------|---------|--------|--------|---------|--------|---------|-----------------------------------|---------------------------------|------------------------|
|   |  | mm   | INCH  |                              |                     |          |       |        |          |       |        |          |        |        |         |        |        |         |        |         |                                   |                                 |                        |
|   | 4 PLACES   | ± .15  | ± .005  |                              |                     |          |       |        |          |       |        |          |        |        |         |        |        |         |        |         |                                   |                                 |                        |
|   | 3 PLACES   | ± .10  | ± .004  |                              |                     |          |       |        |          |       |        |          |        |        |         |        |        |         |        |         |                                   |                                 |                        |
| 2 PLACES  | ± 0.25   | ± .010   |   |                              |                     |          |       |        |          |       |        |          |        |        |         |        |        |         |        |         |                                   |                                 |                        |
| 1 PLACE   | ± 0.36   | ± .014   |   |                              |                     |          |       |        |          |       |        |          |        |        |         |        |        |         |        |         |                                   |                                 |                        |
| ANGULAR   | ± .005   | ± .0005  |   |                              |                     |          |       |        |          |       |        |          |        |        |         |        |        |         |        |         |                                   |                                 |                        |
|   |  | DRAWN BY: RK<br>DATE: 8/7/11/15<br>CHECKED BY: GWF<br>DATE: 8/7/11/15<br>APPROVED BY: GWF<br>DATE: 8/7/11/15   | TITLE<br>HOUSING CAP<br>.084/(2.13) DIA. SERIES | MOLEX INCORPORATED           |                     |          |       |        |          |       |        |          |        |        |         |        |        |         |        |         |                                   |                                 |                        |
|   | DRAFT WHERE APPLICABLE<br>MUST REMAIN<br>WITHIN DIMENSIONS | SEE CHART  | MATERIAL NO.<br>SIZE<br>AO                      | DOCUMENT NO.<br>SD-42022-*** | SHEET NO.<br>2 OF 2 |          |       |        |          |       |        |          |        |        |         |        |        |         |        |         |                                   |                                 |                        |
| THIS DRAWING CONTAINS INFORMATION THAT IS PROPRIETARY TO MOLEX INCORPORATED AND SHOULD NOT BE USED WITHOUT WRITTEN PERMISSION |  |  |   |                              |                     |          |       |        |          |       |        |          |        |        |         |        |        |         |        |         |                                   |                                 |                        |