

#### Legacy Device: Motorola MC12038A

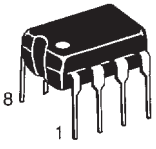
The ML12038 can be used with CMOS synthesizers requiring positive edges to trigger internal counters such as Lansdale's ML145xxx series in a PLL to provide tuning signals up to 1.1 GHz in programmable frequency steps.

A Divide Ratio Control (SW) permits selection of a 127/128 or 255/256 divide ratio as desired.

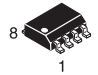
The Modulus Control (MC) selects the proper divide number after SW has been biased to select the desired divide ratio.

- 1.1 GHz Toggle Frequency
- Supply Voltage 4.5 to 5.5 V
- Low Power 4.8 mA Typical
- Operating Temperature Range  $T_A = -40^\circ$  to  $+85^\circ\text{C}$
- Short Set Up Time ( $t_{set}$ ) 16ns Maximum @ 1.1 GHz
- Modulus Control Input Level is Compatible With Standard CMOS and TTL
- On-Chip Output Termination

**P DIP 8 = PP**  
PLASTIC PACKAGE  
CASE 626-04



**SO 8 = -5P**  
PLASTIC PACKAGE  
CASE 751  
(SO-8)



**CROSS REFERENCE/ORDERING INFORMATION**

PACKAGE	MOTOROLA	LANSDALE
P-DIP 8	ML12038AP	ML12038PP
SO 8	ML12038AD	ML12038-5P

**Note:** Lansdale lead free (**Pb**) product, as it becomes available, will be identified by a part number prefix change from **ML** to **MLE**.

#### FUNCTIONAL TABLE

SW	MC	Divide Ratio
H	H	127
H	L	128
L	H	255
L	L	256

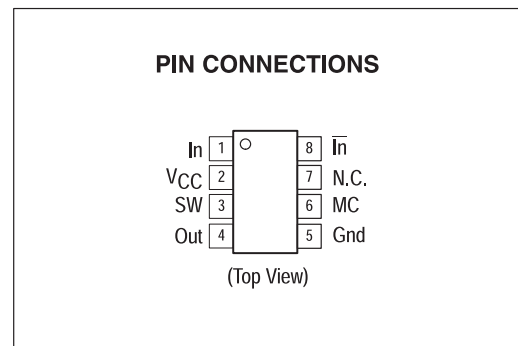
**NOTES:** 1. SW: H =  $V_{CC}$ , L = Open. A logic L can also be applied by grounding this pin, but this is not recommended due to increased power consumption.  
2. MC: H = 2.0 V to  $V_{CC}$ , L = Gnd to 0.8 V.

Design Criteria	Value	Unit
Internal Gate Count *	67	ea
Internal Gate Propagation Delay	200	ps
Internal Gate Power Dissipation	0.75	mW
Speed Power Product	0.15	pJ

**NOTE:** \*Equivalent to a two-input NAND gate.

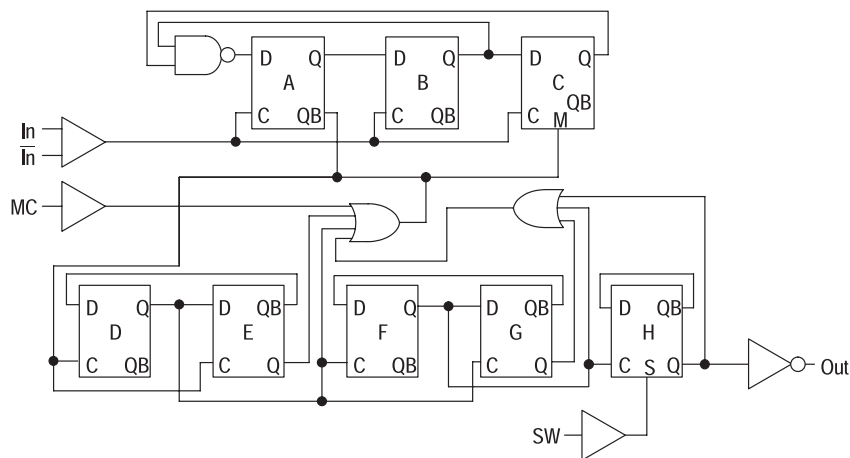
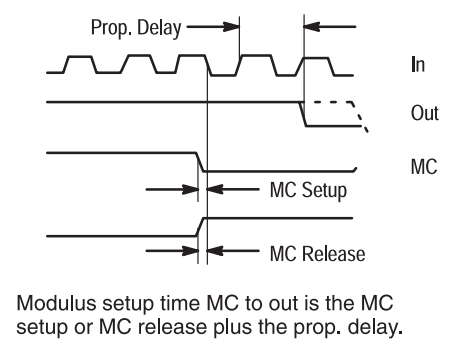
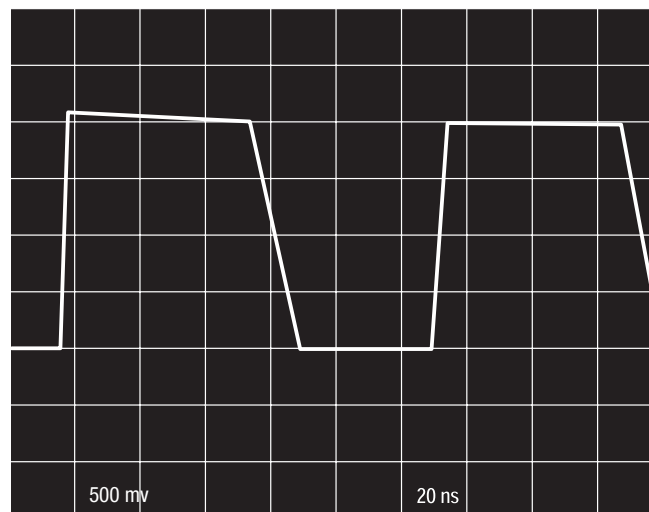
#### MAXIMUM RATINGS

Characteristic	Symbol	Range	Unit
Power Supply Voltage, Pin 2	$V_{CC}$	-0.5 to 7.0	Vdc
Operating Temperature Range	$T_A$	-40 to 85	$^\circ\text{C}$
Storage Temperature Range	$T_{stg}$	-65 to 150	$^\circ\text{C}$
Modulus Control Input, Pin 6	MC	-0.5 to 6.5	Vdc



**ELECTRICAL CHARACTERISTICS** ( $V_{CC} = 4.5$  to  $5.5$  Vdc,  $T_A = -40$  to  $85^\circ\text{C}$ , unless otherwise noted.)

Characteristic	Symbol	Min	Typ	Max	Unit
Toggle Frequency (Sine Wave)	$f_t$	0.1	1.4	1.1	GHz
Supply Current Output Unloaded (Pin 2) at 5.0 Vdc	$I_{CC}$	–	4.8	6.5	mA
Modulus Control Input High (MC)	$V_{IH1}$	2.0	–	$V_{CC}$	V
Modulus Control Input Low (MC)	$V_{IL1}$	–	–	0.8	V
Divide Ratio Control Input High (SW)	$V_{IH2}$	$V_{CC}$	$V_{CC}$	$V_{CC}$	Vdc
Divide Ratio Control Input Low (SW)	$V_{IL2}$	Open	Open	Open	–
Output Voltage Swing ( $C_L = 8.0$ pF)	$V_{out}$	1.0	1.6	–	$V_{pp}$
Modulus Setup Time MC to Out	$t_{SET}$	–	11	16	ns
Input Voltage Sensitivity	$V_{in} (min)$	250 to 1100 MHz 100–250 MHz	–	1500 1500	mVpp

**Figure 1. Logic Diagram (ML12038)****Figure 2. Modulus Setup Time****Figure 3. Typical Output Waveform**

( $\pm 128$ , 1.1 GHz Input Frequency,  $V_{CC} = 5.0$  V,  $T_A = 25^\circ\text{C}$  output Loaded)

Figure 4. AC Test Circuit

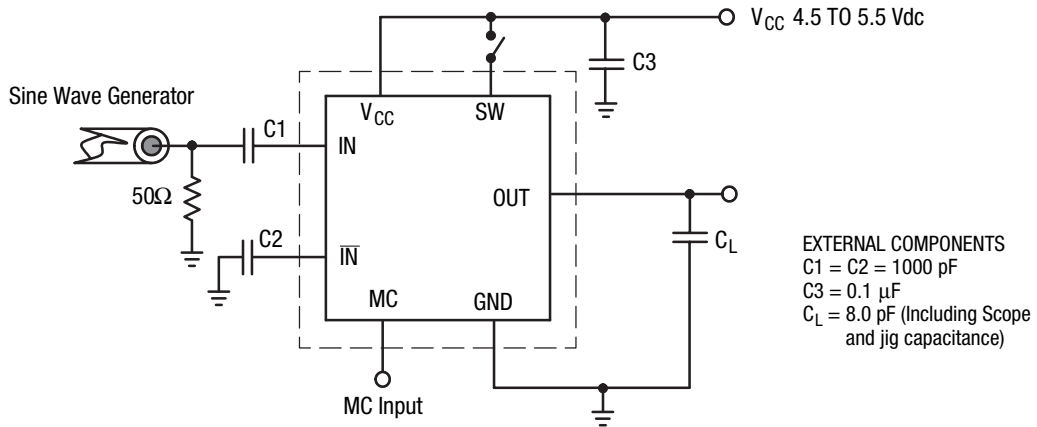


Figure 5. Input Signal Amplitude versus Input Frequency

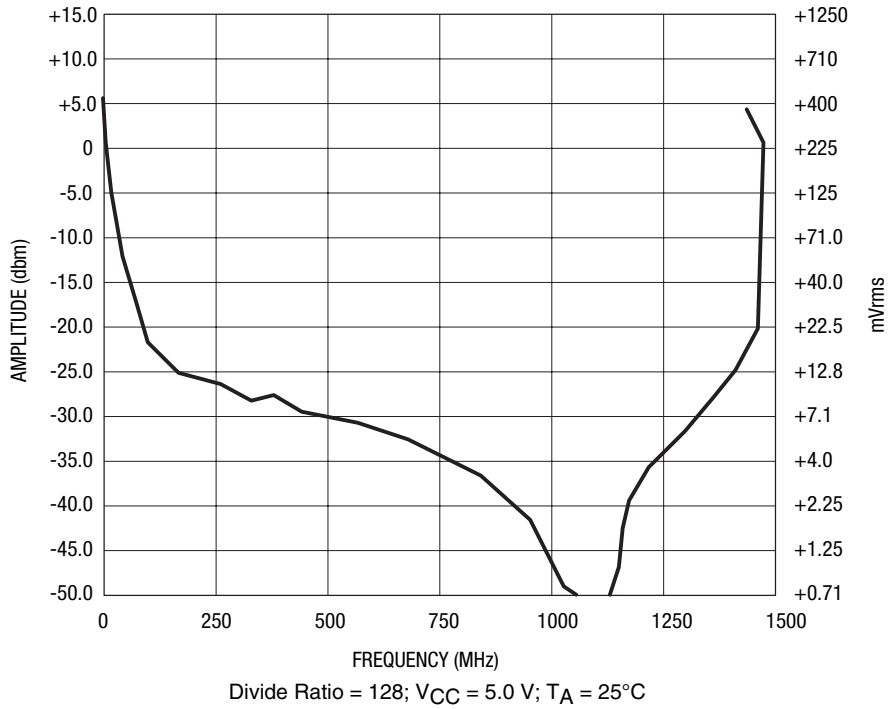


Figure 6. Output Amplitude versus Input Frequency

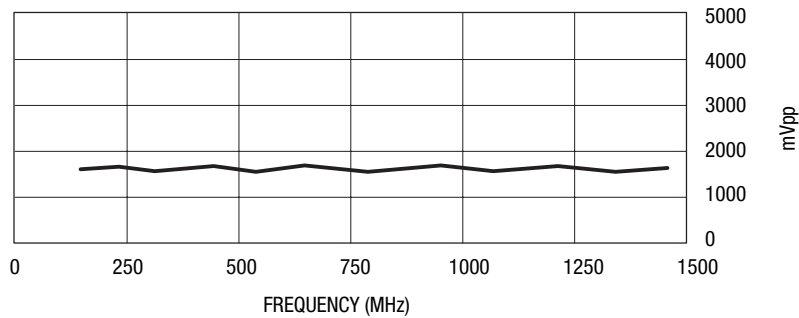
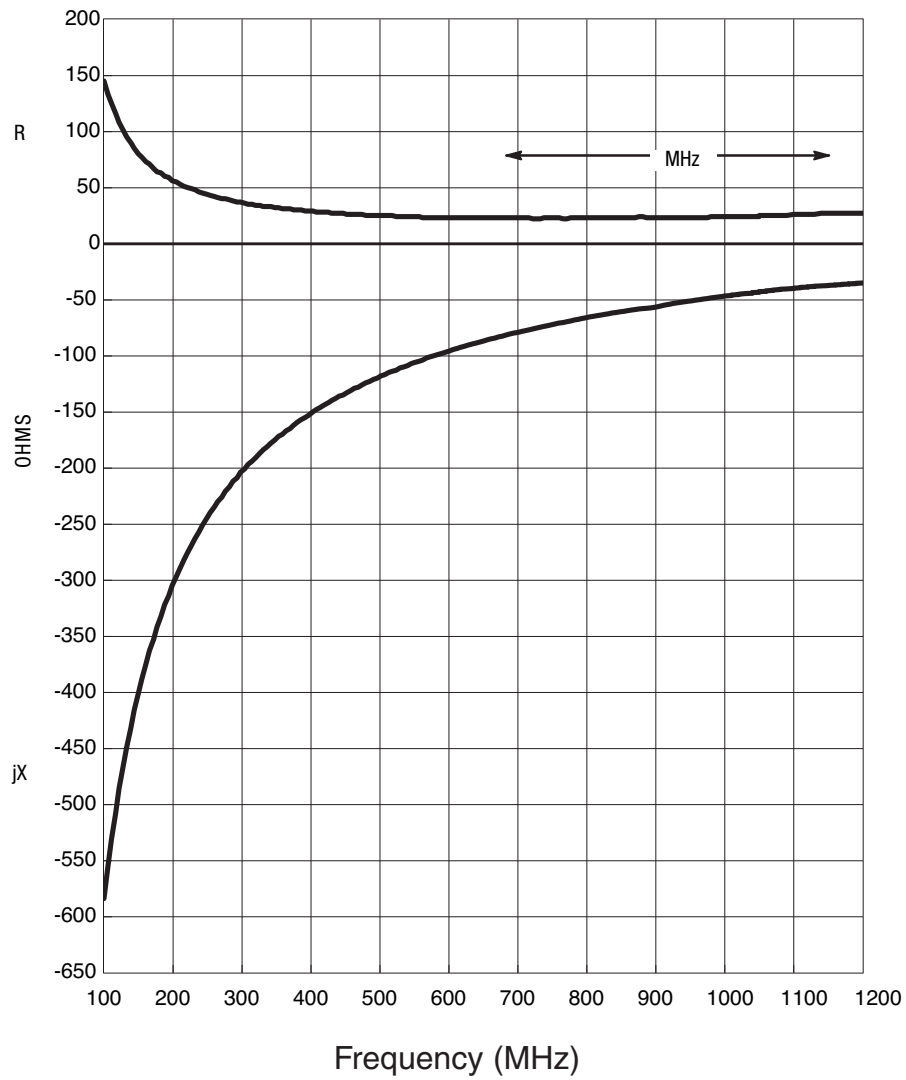
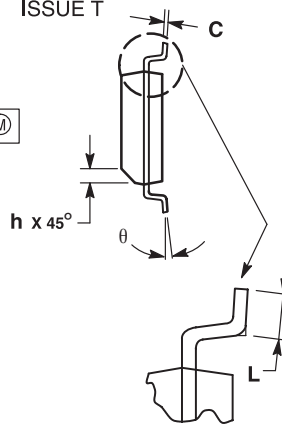
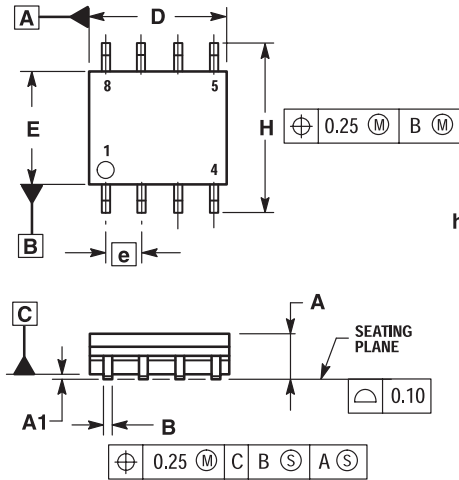


Figure 7. Typical Input Impedance versus Input Frequency



OUTLINE DIMENSIONS

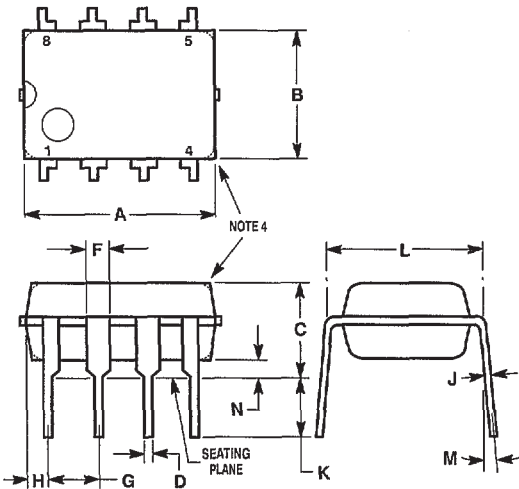
SO-8 = -5P  
 PLASTIC PACKAGE  
 (ML12038-5P)  
 CASE 751-06  
 (SO-8)  
 ISSUE T



- NOTES:
1. DIMENSIONING AND TOLERANCING PER ASME Y14.5M, 1994.
  2. DIMENSIONS ARE IN MILLIMETER.
  3. DIMENSION D AND E DO NOT INCLUDE MOLD PROTRUSION.
  4. MAXIMUM MOLD PROTRUSION 0.15 PER SIDE.
  5. DIMENSION B DOES NOT INCLUDE DAMBAR PROTRUSION. ALLOWABLE DAMBAR PROTRUSION SHALL BE 0.127 TOTAL IN EXCESS OF THE B DIMENSION AT MAXIMUM MATERIAL CONDITION.

MILLIMETERS		
DIM	MIN	MAX
A	1.35	1.75
A1	0.10	0.25
B	0.35	0.49
C	0.19	0.25
D	4.80	5.00
E	3.80	4.00
e	1.27 BSC	
H	5.80	6.20
h	0.25	0.50
L	0.40	1.25
θ	0°	7°

P DIP 8 = PP  
 PLASTIC PACKAGE  
 (ML12038PP)  
 CASE 626-04



- NOTES:
1. LEAD POSITIONAL TOLERANCE:  
 $\phi 0.13 (0.005) \text{ (M) T A (M) B (M)}$
  2. DIMENSION L TO CENTER OF LEADS WHEN FORMED PARALLEL.
  3. PACKAGE CONTOUR OPTIONAL (ROUND OR SQUARE CORNERS).
  4. DIMENSIONS A AND B ARE DATUMS.
  5. DIMENSIONING AND TOLERANCING PER ANSI Y14.5M, 1982.

DIM	MILLIMETERS		INCHES	
	MIN	MAX	MIN	MAX
A	9.40	10.16	0.370	0.400
B	6.10	6.60	0.240	0.260
C	3.94	4.45	0.155	0.175
D	0.38	0.51	0.015	0.020
F	1.02	1.52	0.040	0.060
G	2.54 BSC		0.100 BSC	
H	0.76	1.27	0.030	0.050
J	0.20	0.30	0.008	0.012
K	2.92	3.43	0.115	0.135
L	7.62 BSC		0.300 BSC	
M	— 10°		— 10°	
N	0.51	0.76	0.020	0.030

Lansdale Semiconductor reserves the right to make changes without further notice to any products herein to improve reliability, function or design. Lansdale does not assume any liability arising out of the application or use of any product or circuit described herein; neither does it convey any license under its patent rights nor the rights of others. "Typical" parameters which may be provided in Lansdale data sheets and/or specifications can vary in different applications, and actual performance may vary over time. All operating parameters, including "Typicals" must be validated for each customer application by the customer's technical experts. Lansdale Semiconductor is a registered trademark of Lansdale Semiconductor, Inc.