

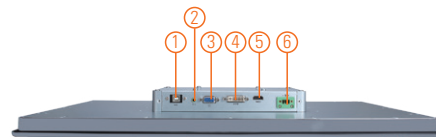
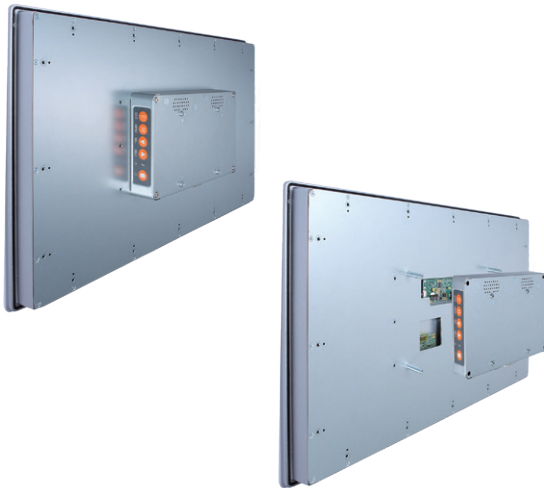
P6157W-V2

NEW

15.6" WXGA TFT Widescreen Industrial LCD Monitor

Features

- 15.6" WXGA TFT 300 nits with projective capacitive multi-touch
- NEMA 4/12 (IP65) compliant flat panel monitor
- Supports panel mount, wall mount and VESA mount
- Full range screw-type (locked) AC-in or 24V DC-in (option)
- VGA, HDMI and DVI with multi-signal inputs



1. T/S port
2. Audio (Line-in)
3. VGA
4. DVI-D
5. HDMI
6. Screw type or Phoenix type power input

Introduction

The P6157W-V2 is a slim-type industrial LCD monitor with flat front bezel design, which adopts 15.6-inch 300 nits full HD LCD display and supports multi-signal interfaces including DVI, VGA and HDMI. Featuring IP65 (NEMA 4)-rated front bezel, screw-type adaptor plug design, and 12/24V DC-In, the 15.6-inch P6157W-V2 is designed to fit for all kinds of industrial environments. Moreover, the P6157W-V2 supports panel mount, wall mount or VESA FPMPMI (Video Electronics Standards Association Flat Panel Monitor Physical Mounting Interface) mounting. With the compact mechanism design, the P6157W-V2 can be deployed easily in any space-limited place. It is especially suitable for POI/POS, HMI and all kinds of heavy-duty industrial fields.

Specifications

Front Bezel	NEMA 4/12 (IP65)-compliant, flat front bezel	
Mounting	Panel mount, wall mount and VESA arm FPMPMI mounting (video electronics standards association Flat Panel monitor physical mounting interface)	
LCD Panel	Display	15.6" WXGA TFT LCD
	Max. Resolution	1366 x 768
	Max. Colors	16.7M
	Active Area (mm)	344.232 x 193.536
	Pixel Pitch (mm)	0.252 x 0.252
	Response Time	8 ms
	Backlight	LED
	Backlight MTBF	50,000 hrs
	Viewing Angle (H/V)	170°/160°
	Contrast Ratio	500 (TYP)
Brightness (cd/m ²)	300 nits	
Display Control	OSD (on screen display)	
Display Mode	VGA 640 x 350 (70Hz), VGA 640 x 480 (60/72/75Hz), VGA 720 x 400 (70Hz), SVGA 800 x 600 (60/72/75Hz), XGA 1024 x 768 (60/72/75Hz), WXGA 1366 x 768 (60Hz)	

Specifications

Input Signal	VGA HDMI DVI (only for DVI-D) Touchscreen: USB interface
I/O Connectors	1 x USB for touchscreen version 1 x Audio (Line-in) 1 x VGA input 1 x HDMI 1 x DVI 1 x Screw type or Phoenix type power input
Power Adapter	Screw-type external AC/DC power adapter
Power Consumption	16 W
Touchscreen	Multi-touch projective capacitive (optional)
Dimensions	396.8mm (15.62") (W) x 247.1mm (9.73") (D) x 54mm (2.13") (H)
Packing Dimensions	505 mm (19.88") (W) x 166 mm (6.53") (D) x 440 mm (17.32") (H)
Weight (net/gross)	3.9 kg (8.598 lb)/5.88 kg (12.963 lb)
Environment	Operating temperature: 0°C ~ +50°C (+32°F ~ +131°F) Relative humidity: 20% ~ 90% @ +40°C, non-condensing
Packing List	1 x VGA cable 1 x USB cable for touchscreen (for touch version) 1 x Audio cable 1 x EU/US power cord (for AC version)
Certificate	CE

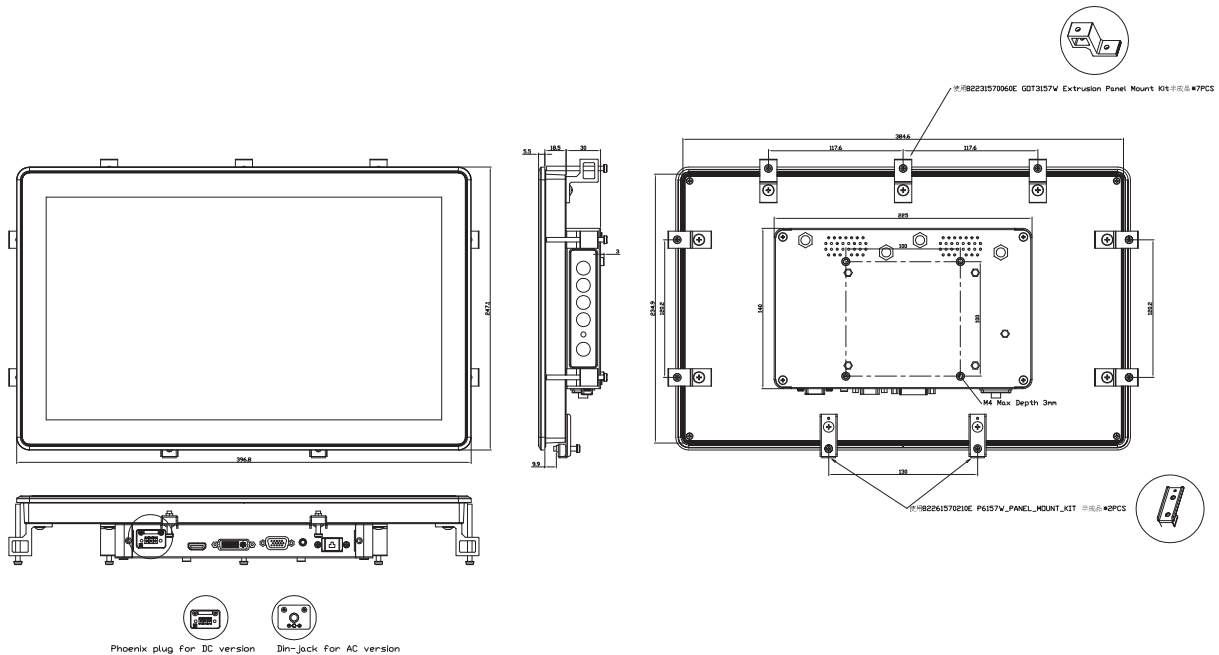
Ordering Information

P6157W-V2		
AC Power	Panel mount monitor	
	Capacitive (USB)	P6157WPC-AC-U-US-EU-V2
	Glass	P6157WPG-AC-US-EU-V2
24VDC Power	Panel mount monitor	
	Capacitive (USB)	P6157WPC-24VDC-U-V2
	Glass	P6157WPG-24VDC-V2

Optional Accessories

5946L203800E	HDMI cable
59461713400E	DVI cable
82261570070E	Panel mount kit
82231770050E	Wall mount kit
E226171106	Desktop stand

Dimensions



0
1
2
3
4
5
6
7
8
9

Industrial Touch Monitors

