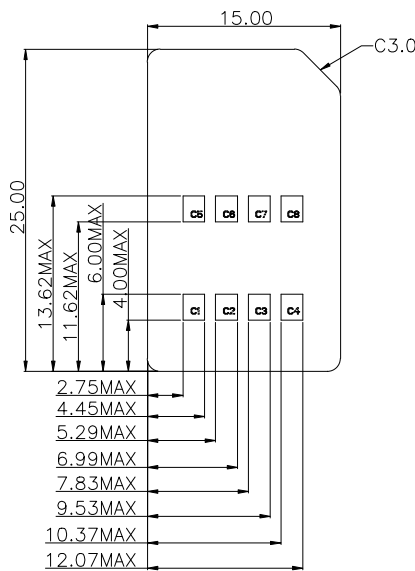
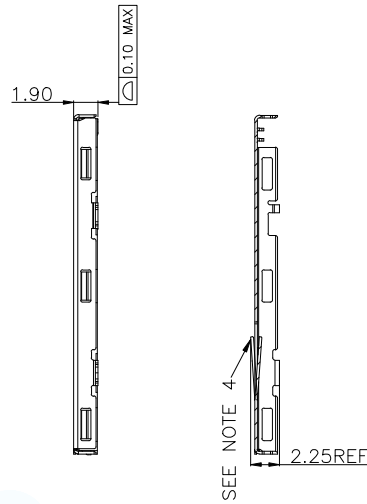
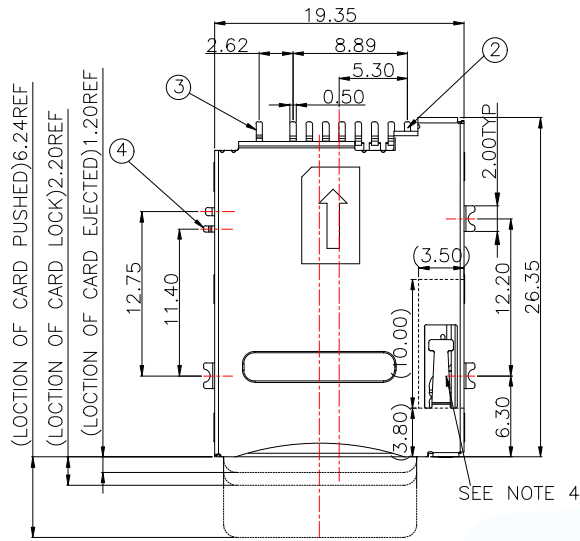
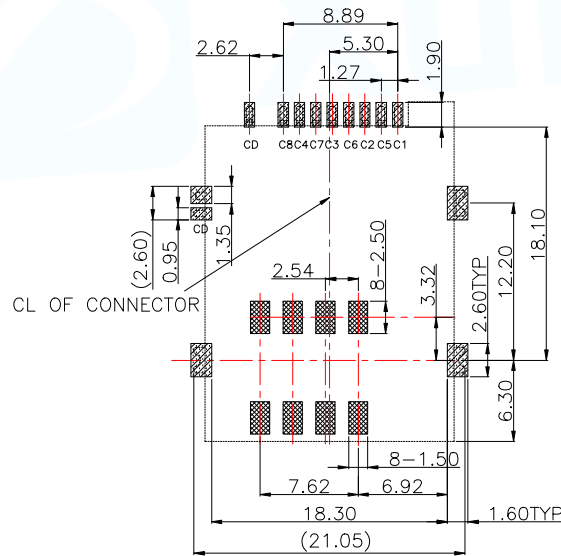


MAPX	MODIFICATION	DATE	DRAW	APPROVE



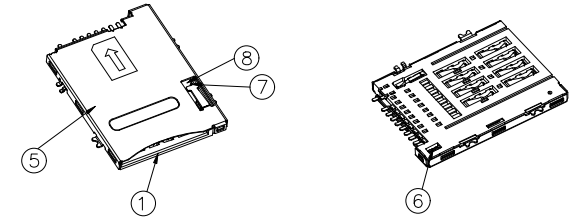
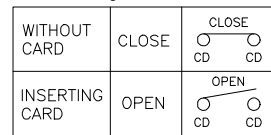
APPLICABLE CARD SIZE
THICKNESS:0.76±0.08MM



▨ PAD AREA
▩ KEEP OUT AREA

RECOMMENDED PCB LAYOUT
GENERAL TOLERANCE ±0.05

Circuit Diagram for Detect Switch



- NOTES:
- FINISH:
 - CONTACT:
 - 50u"MIN NICKEL UNDER PLATED,15u"MIN GOLD PLATING ON CONTACT
 - AREA,100u"MATTE PLATING ON SOLDERING AREA
 - SHELL:
 - 50u"MIN NICKEL UNDER PLATED;
 - 2u"MIN GOLD PLATING ON SOLDERING AREA.
 - DETECT PIN:
 - 50u"MIN NICKEL UNDER PLATED,5u"MIN GOLD PLATING ON CONTACT
 - AREA,100u"MATTE PLATING ON SOLDERING AREA
 - SOLDER TAIL COPLANARITY:0.08MM MAX;
 - COMPLIANCE WITH HSF DIRECTIVE.
 - MAXIMAL TOTAL HEIGHT WHEN INSERTING SIM CARD ,NEED AVOID THIS AREA
 - SPECIALITY:
 - RATED CURRENT:0.5A
 - RATED VOLTAGE:12V
 - CONTACT RESISTANCE:50mΩ MAX
 - INSULATION RESISTANCE:1000MΩ MIN 500V DC
 - DIELECTRIC WITHSTANDING VOLTAGE: 500V AC.
 - OPERATING CONDITION:TEMPERATURE-40℃~+85℃; HUMIDITY 80% R.H MAX
 - METALMASK THICKNESS 0.10MM MIN

MINI SIM CARD	
Pin No.	NAME
C1	VCC OF SIM
C2	RST OF SIM
C3	CLK OF SIM
C5	GND OF SIM
C6	VPP OF SIM
C7	I/O OF SIM
C4/C8	Reserved

8	SLIDER	1	THERMOPLASTIC RATING UL94V-0
7	LINK	1	STAINLESS STEEL
6	SPRING	1	SWP
5	SHELL	1	STAINLESS STEEL
4	DETECT PIN2	1	COPPER ALLOY
3	DETECT PIN1	1	COPPER ALLOY
2	TERMIRAL	1	COPPER ALLOY
1	HOUSING	1	LCP+50%G.F.U.L94V-0
NO.	DESCRIPTION	Q'TY	Material

MANUFACTURE DWG



UNLESS OTHERWISE SPECIFIED TOLERANCES



TITLE:PUSH-PUSH 8PIN SIM CARD CONN WITH DETECT PIN

DECIMALS: ANGLES:

X.X:±0.30 X'.:±3'

X.XX:±0.20 X.X':±2'

X.XXX:±0.10

SCALE1:1

UNIT:MM

CUSTOMER COPY

SIZE:A4

SHEET:1F1

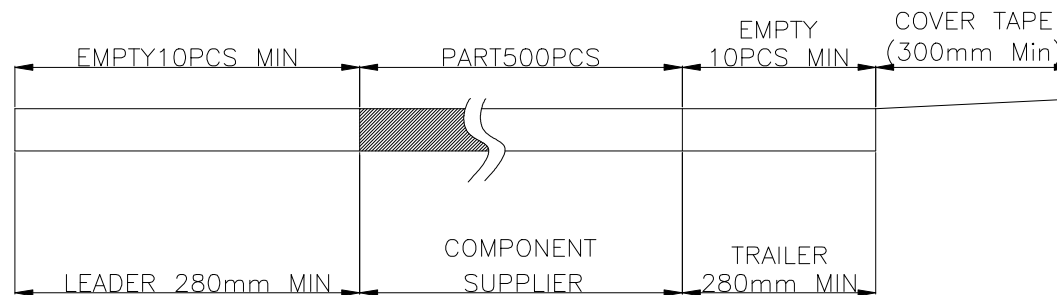
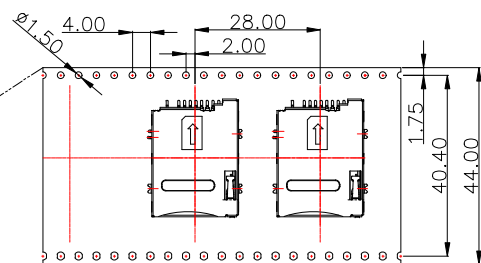
REV:A

MAPX	MODIFICATION	DATE	DRAW	APPROVE

NOTES

1. NUMBER OF CONNECTORS:500PCS/REEL
2. LEAD TAPE LENGTH

User Direction of Unreeling



3. QUANTITY: 3000PCS/CARTON

COVER TAPE PEELING ANGLE: 165°~180°

PEELING FORCE: 20~130g

CARRIER TAPE

CARTON
340*340*320 K=K

4-TRIANGLE PARTITION

6-REEL

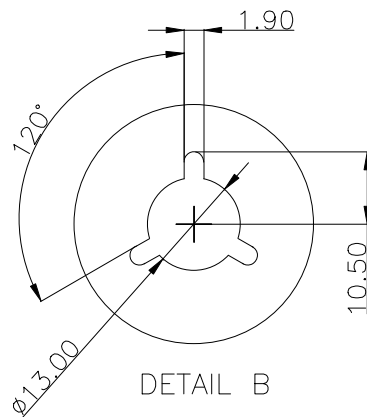
User Direction of Unreeling

TAPE ON

LABEL

DETAIL B

DETAIL B



MANUFACTURE DWG		<p>东莞市讯普电子科技有限公司 DongGuan XunPu Electronics Co.,Ltd</p>	TITLE: PUSH-PUSH 8PIN SIM CARD CONN WITH DETECT PIN		
UNLESS OTHERWISE SPECIFIED TOLERANCES			PAR	SIM-111-ARP9	
DECIMALS:	ANGLES:	DWN			
X.X:±0.30	X'.:±3'	CHKD			
X.XX:±0.20	X.X':±2'	APVD			
X.XXX:±0.10		SCALE 1:1	UNIT:MM		
CUSTOMER COPY		SIZE:A4	SHEET:1F1	REV:A	

