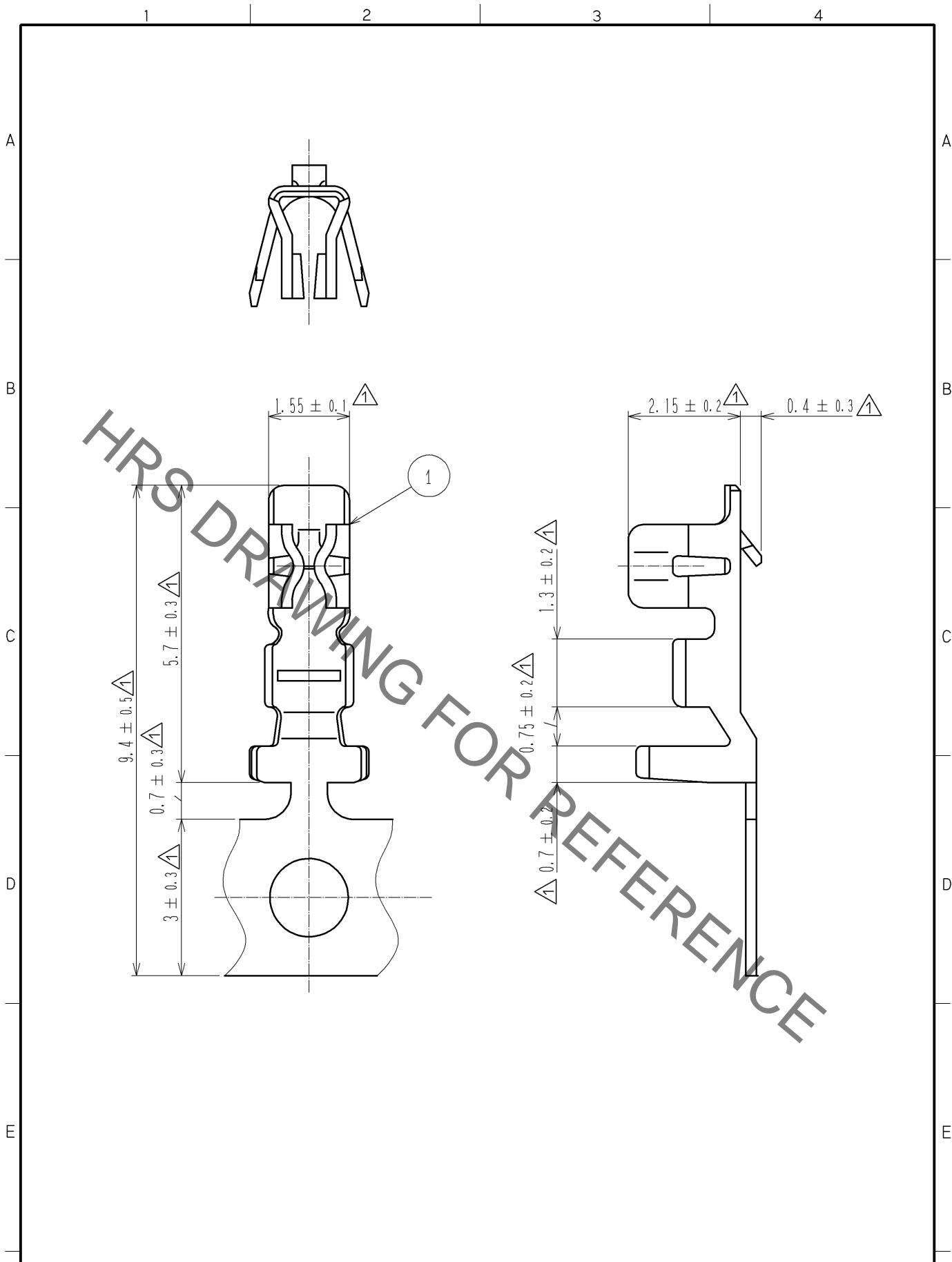


Apr.1.2019 Copyright 2019 HIROSE ELECTRIC CO., LTD. All Rights Reserved.
 In case of consideration for using Automotive equipment / device which demand high reliability, kindly contact our sales window correspondents.



NO.		MATERIAL		FINISH . REMARKS		1		PHOSPHOR BRONZE		TIN PLATING : 1μm min	
UNITS		SCALE		COUNT		DESCRIPTION OF REVISIONS		DESIGNED		CHECKED	
mm		10 : 1		11		DIS-H-002402		AK. MIURA		HK. UMEHARA	
DATE		APPROVED		DESIGNED		DRAWING NO.		CHECKED		DATE	
07. 08. 30		KJ. KATAYOSE		IO. DENPOUYA		EDC4-018921-00		TY. OMA		05. 01. 05	
		05. 01. 05		05. 01. 05		PART NO.		05. 01. 05		05. 01. 05	
		05. 01. 05		05. 01. 05		DF3-2428SCF		05. 01. 05		05. 01. 05	
		05. 01. 05		05. 01. 05		CODE NO.		05. 01. 05		05. 01. 05	
		05. 01. 05		05. 01. 05		CL543-0001-2-00		05. 01. 05		05. 01. 05	



HIROSE ELECTRIC CO., LTD.

APPROVED : KJ. KATAYOSE 05. 01. 05
 CHECKED : TY. OMA 05. 01. 05
 DESIGNED : IO. DENPOUYA 05. 01. 05
 DRAWN : IO. DENPOUYA 05. 01. 05

DRAWING NO. EDC4-018921-00
 PART NO. DF3-2428SCF
 CODE NO. CL543-0001-2-00

1/1