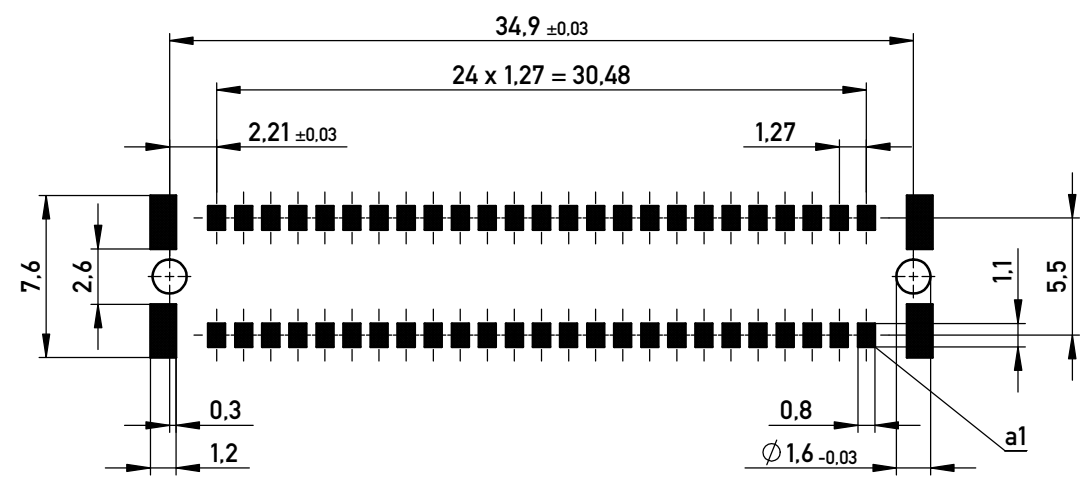


Leiterplatten-Layout Vorschlag für SMT
PCB-Layout Proposal for SMT



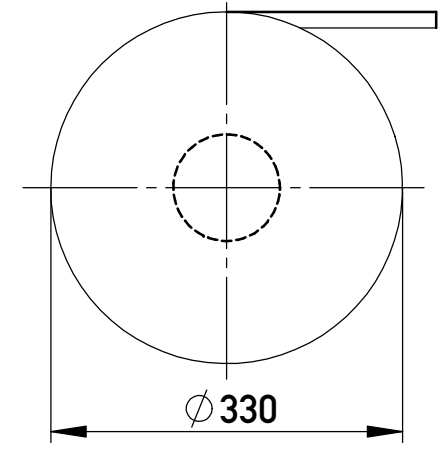
Anforderungsstufe 1
Performance Level 1

Kontaktbereich vergoldet
Mating Area gold plating

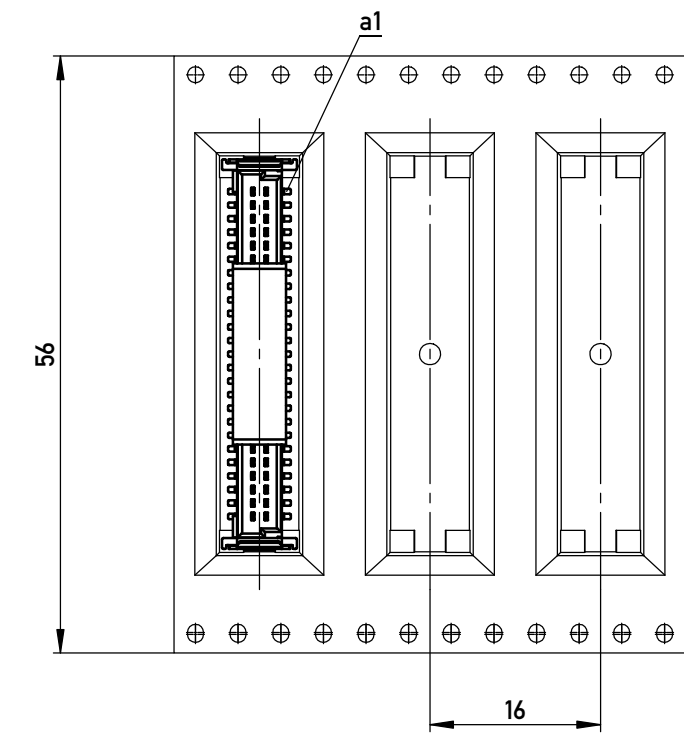
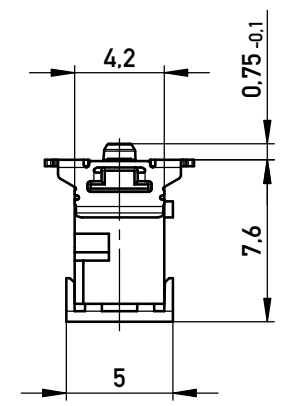
Anschlussbereich verzinkt 4-6 µm
Terminal Area 4-6 µm tin plating

Koplanarität der Anschlüsse ≤ 0.1 mm
Coplanarity Area of Termination ≤ 0.1 mm

Verpackt in Gurtverpackung
Tape on Reel Packaging
Verpackungseinheit: 280 Stück
Packaging unit: 280 pcs



Abspulrichtung - Reel off Direction



BA 8-13 - 8mm Bauhöhe
type 8-13 - Low Profile

Information: All rights reserved. Only for Information. To ensure that this is the latest version of this drawing, please contact one of the ERNI companies before using.	Tolerances All Dimensions in mm	Scale 3:1	Designation Messerl. SMC-Q 50-SMD-BA8-13 Male SMC-Q 50-SMD-type 8-13	
	www.ERNI.com		100101660001	
d Index	22.07.2013 Date	Class SMCQ		K A3

Copyright by ERNI GmbH
Proprietary notice pursuant to ISO 16016 to be observed.