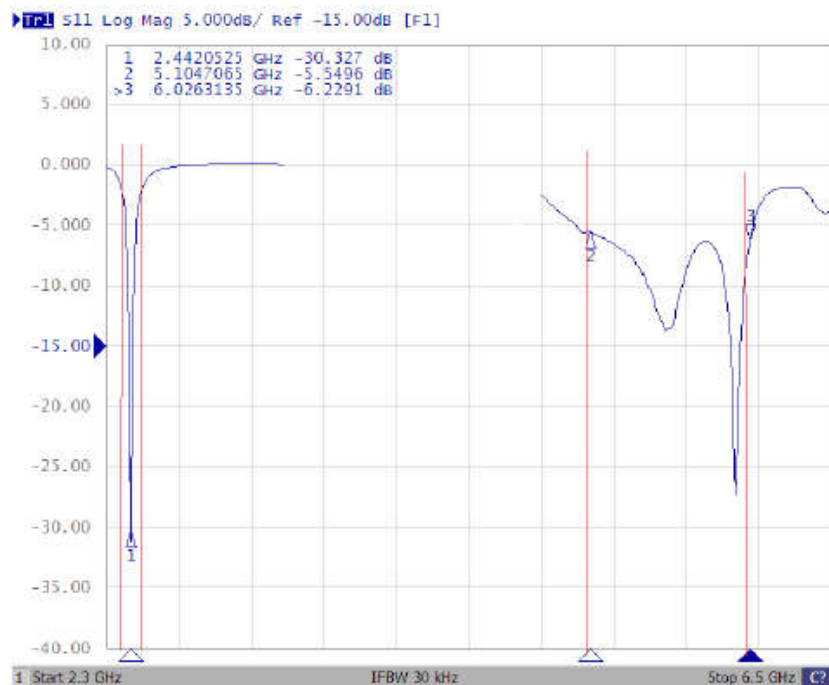


#### ELECTRICAL SPECIFICATION

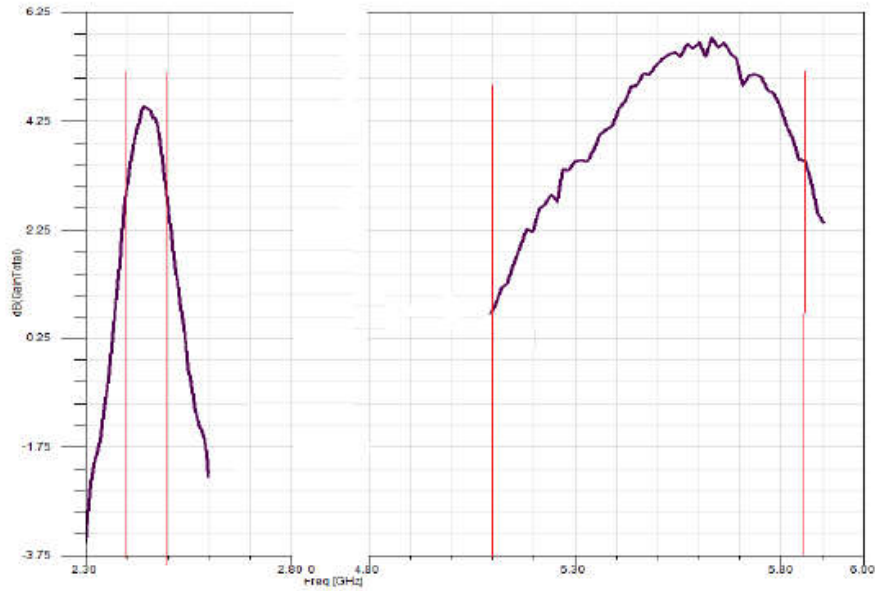
SPECIFICATIONS	SPECIFICATIONS		UNIT
Frequency Range	2400 ~ 2500	5100 ~ 5800	MHz
Return Loss (within 70x70mm GND Plane)	Min: < -19 Edge: < -2	Max: < -5	dB
Efficiency	Max: 80 Edge: 30	50	%
Gain, typ	3	5	dBi
Polarization	Linear		-
Impedance	50		$\Omega$
Frequency Temperature Coefficient	0 $\pm$ 10		ppm/ $^{\circ}$ C
Relative Humidity Range	55 ~ 75		%
Operating Temperature Range	-40 ~ +80		$^{\circ}$ C
Storage Temperature Range	-40 ~ +85		$^{\circ}$ C

10

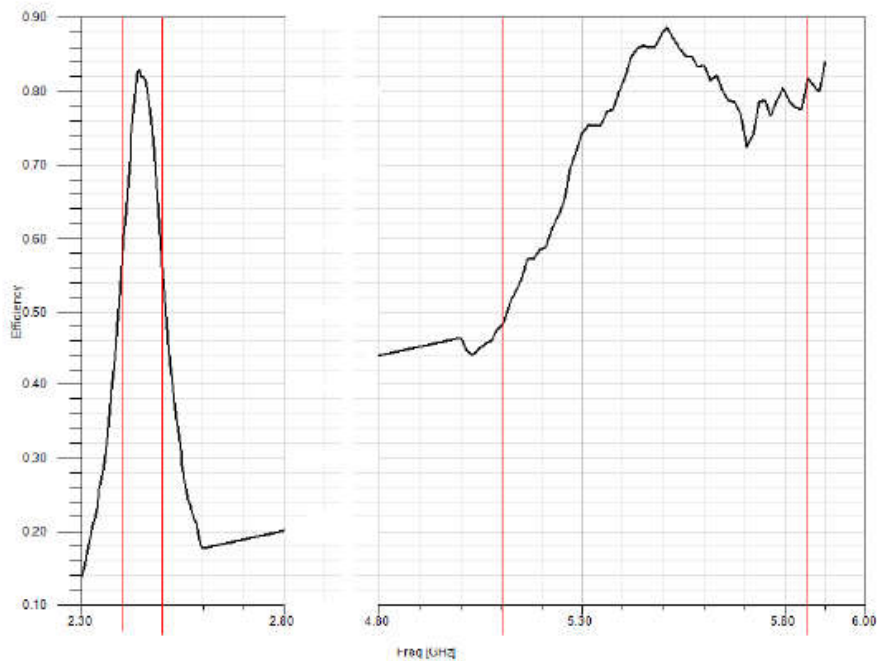
#### FREQUENCY CHARACTERISTICS



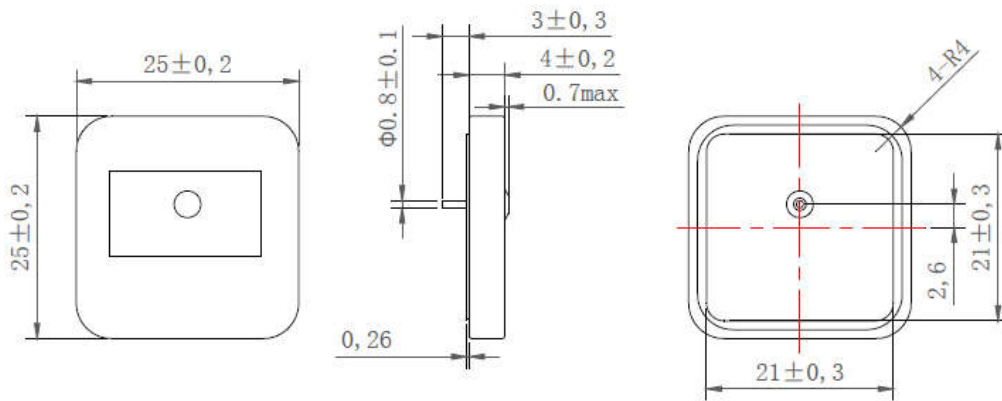
#### ■ PEAK GAIN



#### ■ EFFICIENCY



#### ■ DIMENSIONS



May, 2016