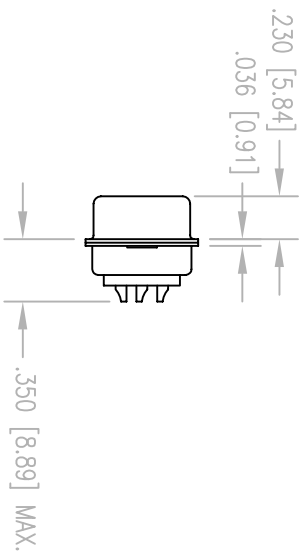
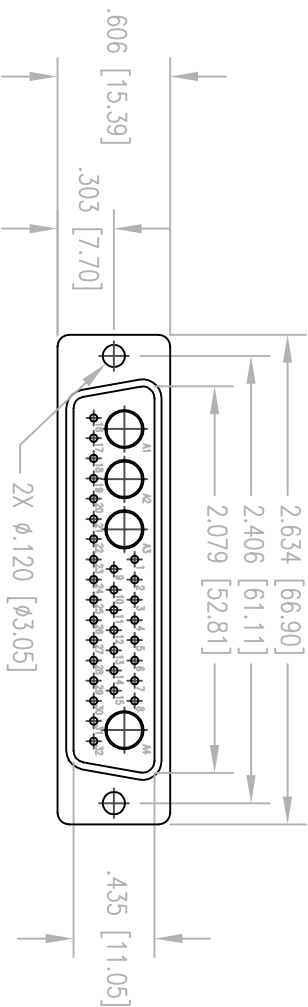
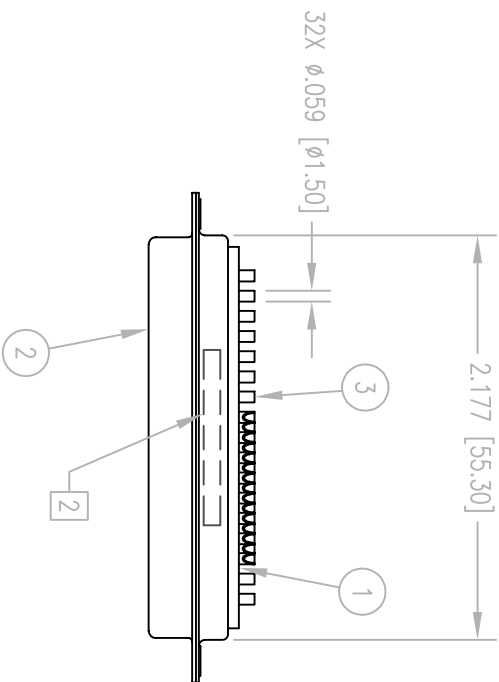


REV.	DESCRIPTION	DATE	BY	APPD.
A	ECR 7726	04/11/03	JEM	



- NOTES:
1. THIS CONNECTOR IS DESIGNED TO MEET THE APPLICABLE PERFORMANCE REQUIREMENTS OF MIL-DTL-24308, MS18271, DSCC 85039 AND DCSS 89082.
  2. APPROXIMATE LOCATION OF MARKING AS SHOWN ON INDICATED SURFACE.

SPECIFICATIONS:

MATERIALS & FINISHES

1. INSULATOR: THERMOPLASTIC POLYESTER, GLASS FILLED  
RATED 50 KV/MM. COLOR: GREEN
2. SHELL: STEEL  
FINISH: YELLOW CHROMATE OVER ZINC
3. CONTACTS: BRASS  
FINISH: GOLD OVER NICKEL

PER ASME Y14.5M-1994 UNLESS OTHERWISE SPECIFIED: TOLERANCES ARE IN INCHES (MM)		SCALE: 1:1	
DECIMALS .xx ± .01 [0.254] ANGLES ± 2°		DATE:	
DRAWN: JEM APPROVED:	DATE: 04/11/03	CHECKED:	DATE:
CUSTOMER DRAWING		TITLE:	
A		D-SUB HOUSING-MIXED LAYOUT (36W4P)	
SDRM36W4P-50-ZB		SH: 1	OF 1
APPROVED:		REV: A	

**NORTHROP GRUMMAN**  
 Winchester Electronics  
 62 Barnes Industrial Road North  
 Wallingford, CT 06492