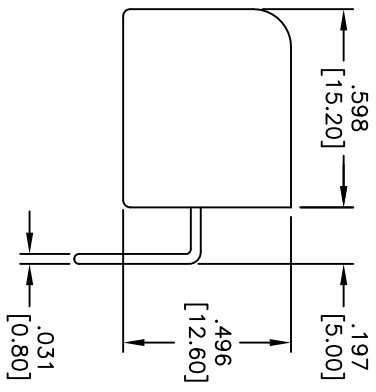
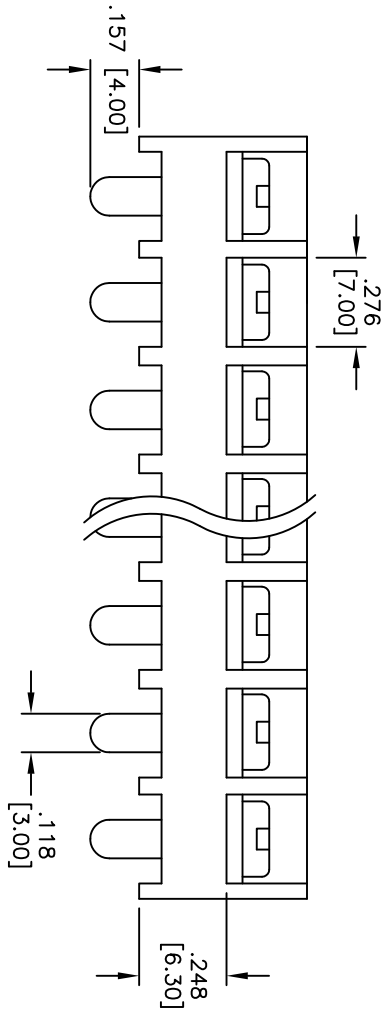
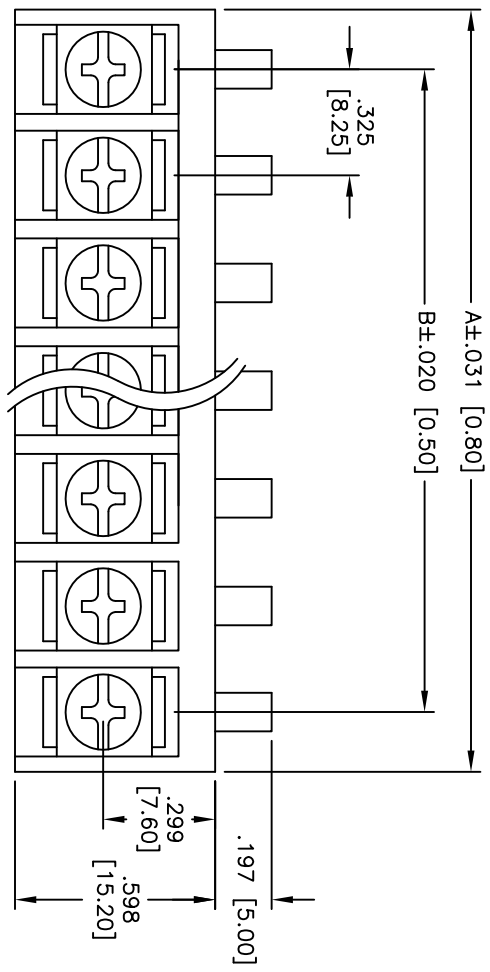


APPROVED: _____
 DATE: _____ TITLE: _____

Rev	AWO #	Description	Date	Appr
-		RELEASED	6/8/05	
A		UPDATED DRAWING	5/20/15	HRAC



SPECIFICATIONS:
 Material: Insulator: Nylon 66, rated UL 94V-0
 Insulator color: Black
 Contact: Brass, Tin plated
 Screw: Brass, M3, Nickel plated
 Electrical:
 Operating voltage: 300 VAC max.
 Current rating: 15 Amps max.
 Insulation resistance: 1,000 Mohms min @ 500 VDC
 Dielectric withstanding voltage: 2,000 VAC for 1 minut
 Mechanical:
 Screw Torque Value: 10 Kg-cm
 Wire range: 14 - 22 AWG
 Temperature Rating:
 Operating temperature: -40°C to +120°C
 Environmental:
 Lead free, RoHS compliant

Positions: 2 thru 32
 A = .325 [8.25] x No. of Spaces + .372 [9.45]
 B = .325 [8.25] x No. of Spaces

UNLESS OTHERWISE SPECIFIED
 ALL DIMENSIONS ARE INCHES [MM]
 TOLERANCES: EXCEPT AS NOTED

INCHES	HOLDS
.X ± .10	ØX ± .10
.XX ± .020	ØXXX ± .015
.XXX ± .015	ØXXX ± .010

ADAM TECH
 909 Railway Avenue, Union, NJ 07083
 Phone: 908-687-5000 Fax: 908-687-5710

ADAM TECH
 909 Railway Avenue, Union, NJ 07083
 Phone: 908-687-5000 Fax: 908-687-5710

TITLE: .325 [8.25] TERMINAL BLOCK, CLOSED SIDE
 EXIT PCB TAILS, BARRIER ENDS

DRAWN	SS	6/8/05
CHECKED		
APPROVED		

SIZE: X PART NO.: TBE-XX-03-B
 REF: S0003TT SCALE: NTS SHEET 1 OF 1

