

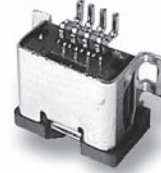
Series USB-M  
Mini USB - 90° Receptacle (4 Pin, SMT)

Specifications

Insulation Resistance:	1000MΩ at 100 V DC for 1 minute
Current Rating:	1A max. per contact
Voltage Rating:	30V ACrms max.
Withstanding Voltage:	500V AC (rms) for 1 minute
Contact Resistance:	30mΩ max. (initial)

Part Number

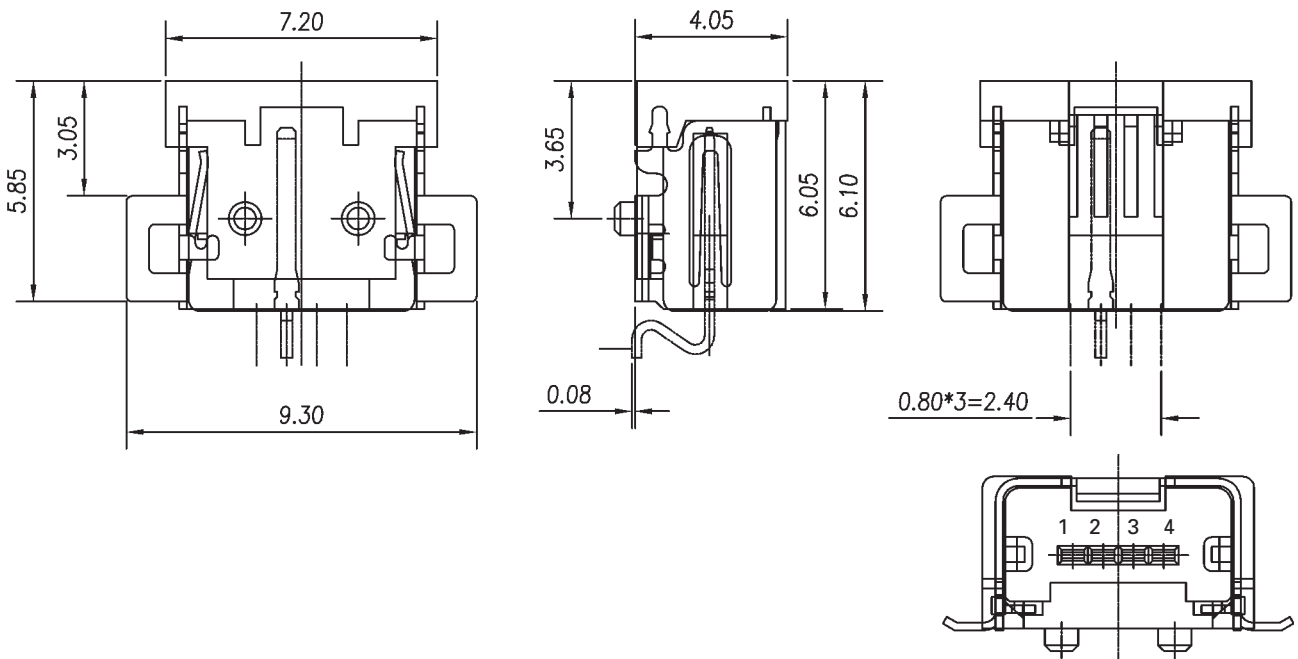
USB-M04-003



Materials and Finish

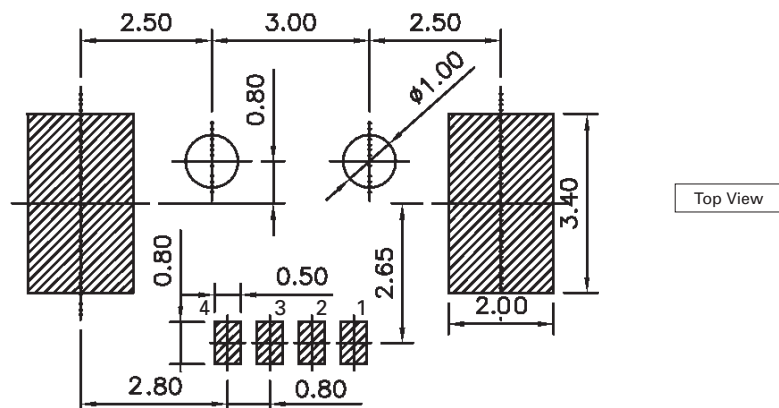
Housing:	Thermoplastic, glass filled (UL94V-0)
Shell:	Tin over Copper Alloy
Contacts:	Copper Alloy
Contact Plating:	Solder area - Solder over Nickel
	Mating area - Au over Nickel

Outline Dimensions SMT Type



USB (Universal Serial Bus and IEEE 1394)

Recommended PCB Layout



Series USB-M  
Mini USB - Plug (4 Pin Solder Port)

Specifications

Insulation Resistance:	1000MΩ at 100V DC for 1 minute
Withstanding Voltage:	500V ACrms for 1 minute
Voltage Rating:	30V AC (rms) max.
Current Rating:	1A max. per contact
Contact Resistance:	15mΩ max. (initial)

Part Number

USB-M04-P

Assembly set with plastic cover

**Note:**  
USB-M04-P is also available in assembled version with moulded strain relief.  
For more details please contact Yamaichi.

Materials and Finish

Housing:	Thermoplastic, glass filled (UL94V-0)
Shell:	Tin over Copper Alloy
Contacts:	Copper Alloy
Contact Plating:	Solder area - Sn over Nickel Mating area - Au over Nickel



Outline Dimensions Plug

