



ZWE250-SX-F-W 200 Watt AC/DC POWER SUPPLY



FEATURES

- High Power density, 250W in 3" x 5" footprint
- Ultra low leakage current < 300uA @ 264VAC
- 200W Convection cooled, up to 250 Watt with fan
- RoHS compliant
- 2 Year Warranty



UL Pending
Estimated completion
Date: March 30, 2020



		UNIT		
INPUT	Voltage/Freq	V	AC90V - 264V	47 / 63Hz
	Current (rms).	A	3.5A @115VAC; 2A @230VAC max	
	Power Factor	-	> .95 @ 115vac; > .90@230vac @ full load	
	Inrush Current	A	<30A peak @115VAC; <60A peak @230VAC cold start @25	
	Leakage Current	uA	< 100uA @264VA	

		ZWE250-12SX-F-W	ZWE250-19SX-F-W	ZWE250-24SX-F-W	ZWE250-30SX-F-W	
OUTPUT	Nom Voltage	VDC	12	19	24	30
	Efficiency typ	%	85	85	85	85
	Current Convection	A	16.67	10.53	8.34	6.67
	Forced Air	A	20.84	13.16	10.42	8.34
	Regulation		+/-5%	+/-5%	+/-5%	+/-5%
	Ripple Noise (v1)	mV	120 max	190 max	240max	300mV





		ZWE250-36SX-F-W	ZWE250-40SX-F-W	ZWE250-48SX-F-W	
OUTPUT	Nom Voltage	VDC	36	48	54
	Efficiency typ	%	85	85	85
	Current Convection	A	5.56	5.00	4.17
	Forced Air	A	6.95	6.25	5.21
	Regulation		+/-5%	+/-5%	+/-5%
	Ripple Noise (v1)	mV	360 max	400 max	480 max
	Total Power Convection	W	200W (Derate linearly 2.5% per °C from 41 to 70°C)		
	Total Power 18cfm Forced Air	W	250W (Derate linearly 2.5% per °C from 41 to 70°C)		
	Holdup-Time	mS	> 10ms typical @full load, 115VA		

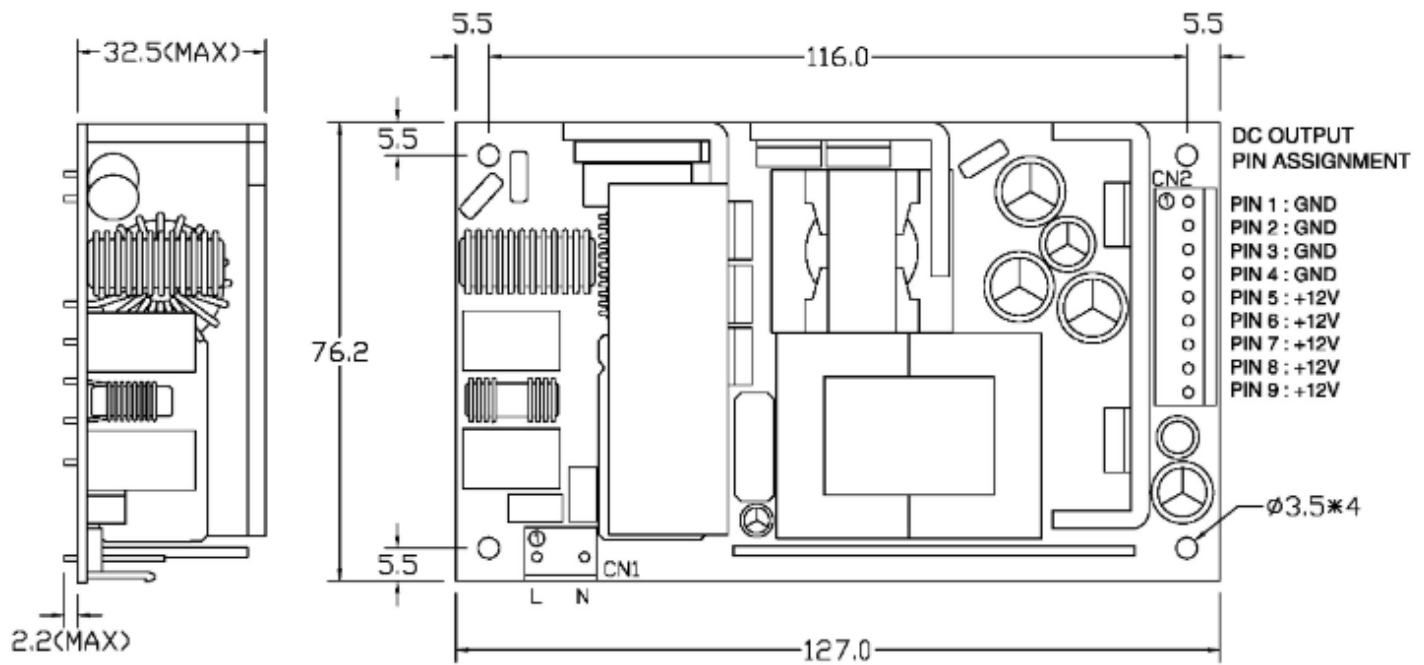
Protection	Over Voltage	Latching type, AC Recycle
	Over Current	105% to 150% maximum rating, Auto-recovery
Emission	EMI/EMC	FCC Class B CISPR22 Class B EN 55032 Class B CE
Safety		UL60950-1, 2 nd Edition CSA 22.2 No. 60950-1-07 NEMKO EN60950-1: 2006+A11
Environment	Operating temp/humid	-20 ~ +70°C, 0 ~ 90% RH(Non condensing)
	Storage temp/humid	-20 ~ +85°C,
Size	MM/G	L127 x W76.2 x H32.5 mm (5" x 3" x 1.28") 400 grams
MTBF		100,000 hrs

- Ripple and noise are measured at oscilloscope 20MHz bandwidth by a 47uF electrolytic capacitor and a 0.1uF ceramic capacitor in parallel at output connector.





DIMENSIONAL DRAWING



Dimension : L127(5") x W76.2(3") x H32.5(1.28")mm

CN1: Input Connector

JST B3P-VH-B pitch: 3.96mm or equivalent,
mates with JST VHR-3N or equivalent

Pin #	Signal
1	AC Line
2	AC Neutral

CN2: Output Connector

JST B9P-VH-B pitch: 3.96mm or equivalent,
mates with JST VHR-9N or equivalent

Pin #	Signal
1	RTN
2	RTN
3	RTN
4	RTN
5	+Vo
6	+Vo
7	+Vo
8	+Vo
9	+Vo

