

MICRO SWITCH

FREEPORT ILLINOIS, U.S.A
A DIVISION OF HONEYWELL
FED. MFG. CODE 91929

ACTUATOR-SWITCH

CATALOG LISTING
JS-152

JS-152

M

DRAWING NUMBER

7

ISSUE
X
X
X

REPLACES

RELEASE NO. PR-1925

CHECK

7/

23 JUL 71

7/

7/

CHECK

7/

23 JUL 71

7/

7/

CHECK

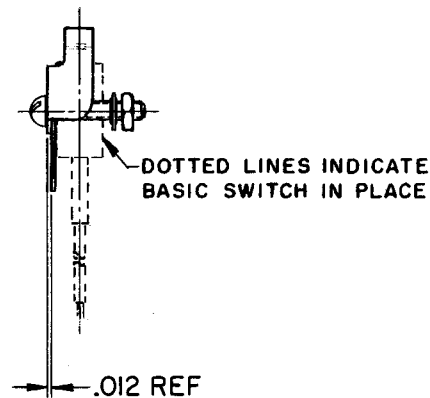
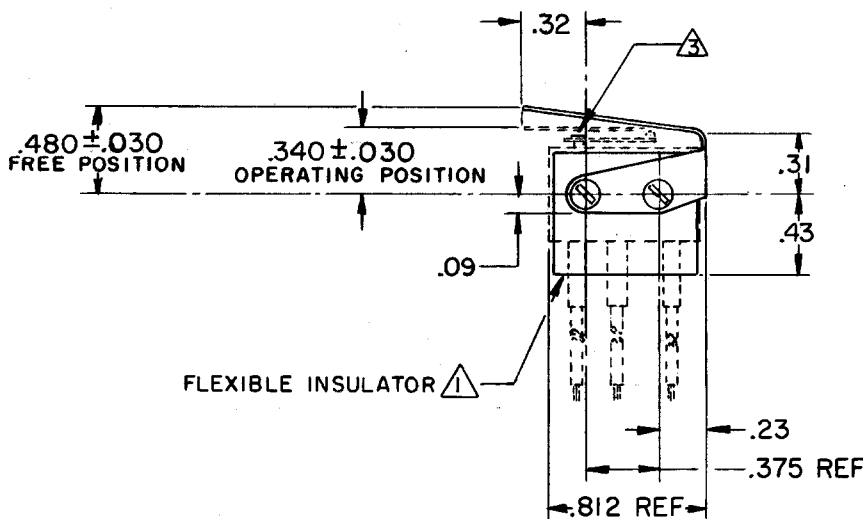
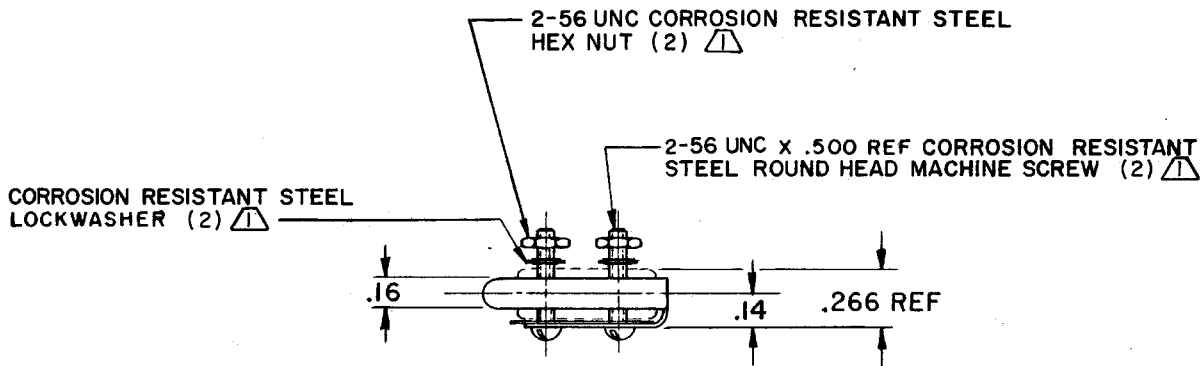
7/

7/

CHECK

7/

7/



NOTE -

- Δ FURNISHED UNASSEMBLED
- Δ CHARACTERISTICS WITH 6HMI-1 BASIC SWITCH INSTALLED ACTUATED .06 FROM END OF LEVER
- Δ ADJUSTMENT CAUTION: DO NOT ALLOW ACTUATOR LEAF TO COME IN CONTACT WITH HM LEVER TO PREVENT SWITCH SEAL DAMAGE

THIS DRAWING COVERS A PROPRIETARY ITEM AND IS THE PROPERTY OF MICRO SWITCH, A DIVISION OF HONEYWELL. THIS DRAWING IS NOT TO BE COPIED OR USED WITHOUT THE APPROVAL OF MICRO SWITCH.

CHARACTERISTICS Δ

OPERATING FORCE ----- 9 OZ MAX

RELEASE FORCE ----- 2 OZ MIN

DIFFERENTIAL TRAVEL ----- .030 MAX

OVERTRAVEL ----- .030 MIN

ELECTRICAL DATA

CONTACT ARRANGEMENT

SCALE FULL

DO NOT SCALE PRINT

UNLESS OTHERWISE NOTED

DIMENSIONS ARE IN INCHES

TOLERANCES ARE:

ONE PLACE	(.0)	±.030
TWO PLACE	(.00)	±.015
THREE PLACE	(.000)	±.005
ANGLES		±

WEIGHT