

## Mains plug - PLD E 400-PS/1AC/24DC/12W - 2702435

Please be informed that the data shown in this PDF Document is generated from our Online Catalog. Please find the complete data in the user's documentation. Our General Terms of Use for Downloads are valid (<http://phoenixcontact.com/download>)

Plug-in power supply unit for class 400 LED enclosure lights, including country-specific plug adapters for Europe, Great Britain, USA and Australia; max. output voltage 12 W




### Product Description

The plug-in power supply unit is intended for supplying power to class 400 LED enclosure lights. A power supply unit and four country-specific plug adapters, e.g., for Europe, Great Britain, the USA, and Australia, are supplied as standard. By connecting the country-specific plug adapter to the power supply unit, you can adapt the plug-in power supply unit to the installation location.

### Your advantages

- ✓ High efficiency
- ✓ Minimum standby power dissipation  $\leq 0.1$  W
- ✓ IP42-tested interchangeable adapter system

### Key Commercial Data

|              |   |
|--------------|---|
| Packing unit | 1 pc  |
| GTIN         | <br>4 055626 184630 |
| GTIN         | 4055626184630   |

### Technical data

#### Dimensions

|        |         |
|--------|---------|
| Width  | 31.5 mm |
| Height | 75 mm   |
| Depth  | 41 mm   |

#### Ambient conditions

|   |                                  |
|---|----------------------------------|
| Degree of protection                    | IP42                             |
| Ambient temperature (operation)         | 0 °C ... 40 °C (at maximum load) |
| Ambient temperature (storage/transport) | -20 °C ... 70 °C                 |
| Permissible humidity (operation)        | 10 % ... 95 % (non-condensing)   |
| Installation height                     | 2000 m                           |

# Mains plug - PLD E 400-PS/1AC/24DC/12W - 2702435

## Technical data

### Input data

|                             |                                  |
|-----------------------------|----------------------------------|
| Nominal input voltage range | 100 V AC ... 240 V AC $\pm 10$ % |
| AC frequency range          | 50 Hz ... 60 Hz                  |
| Maximum inrush current      | 250 mA                           |
| Discharge current to PE     | max. 200 $\mu$ A                 |
| Type of protection          | Surge protection                 |

### Output data

|  |                      |
|--|----------------------|
| Nominal output voltage                         | 24 V DC $\pm 5$ %    |
| Residual ripple                                | 100 mV <sub>PP</sub> |
| Output power                                   | 12 W                 |
| Maximum power dissipation in no-load condition | max. 0.1 W           |
| Type of protection                             | Surge protection     |

### Connection data, output

|                         |                     |
|-------------------------|---------------------|
| Cable end connection    | M8 socket (Snap-in) |
| Connecting cable length | 2 m                 |

### General

|  |               |
|--|---------------|
| Efficiency                             | $\geq 83$ %   |
| Protection class                       | II            |
| Degree of protection                   | IP42          |
| Can be used as typical for the country | Australia     |
|  | Belgium       |
|  | Brazil        |
|  | China         |
|  | Denmark       |
|  | Germany       |
|  | Finland       |
|  | France        |
|  | Greece        |
|  | Great Britain |
|  | India         |
|  | Ireland       |
|  | Italy         |
|  | Japan         |
|  | Canada        |
|  | Luxembourg    |
|  | Mexico        |
|  | Netherlands   |
|  | Norway        |
|  | Austria       |
|  | Poland        |

# Mains plug - PLD E 400-PS/1AC/24DC/12W - 2702435

## Technical data

### General

|  |             |
|--|-------------|
|  | Portugal    |
|  | Russia      |
|  | Sweden      |
|  | Switzerland |
|  | Spain       |
|  | Singapore   |
|  | Turkey      |
|  | USA         |

### Standards and Regulations

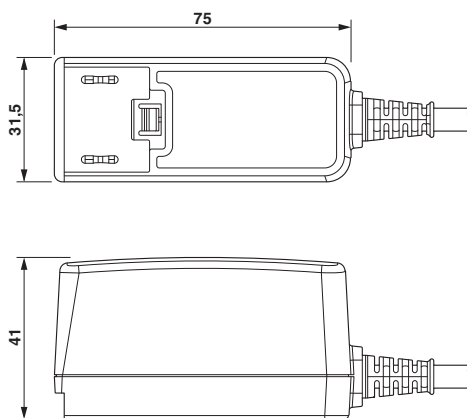
|                               |   |
|-------------------------------|---|
| Electromagnetic compatibility | Conformance with EMC Directive 2014/30/EU |
|-------------------------------|---|

### Environmental Product Compliance

|            |   |
|------------|---|
| REACH SVHC | Lead 7439-92-1  |
| China RoHS | Environmentally Friendly Use Period = 25;   |
|            | For details about hazardous substances go to tab "Downloads", Category "Manufacturer's declaration" |

## Drawings

Dimensional drawing



## Approvals

### Approvals

---

### Approvals

UL Listed / cUL Listed / cULus Listed

---


### Ex Approvals


# Mains plug - PLD E 400-PS/1AC/24DC/12W - 2702435


## Approvals

---

### Approval details

|           |   |   |               |
|-----------|---|---|---------------|
| UL Listed |  | <a href="http://database.ul.com/cgi-bin/XYV/template/LISEXT/1FRAME/index.htm">http://database.ul.com/cgi-bin/XYV/template/LISEXT/1FRAME/index.htm</a> | FILE E 214596 |
|-----------|---|---|---------------|

|            |   |   |               |
|------------|---|---|---------------|
| cUL Listed |  | <a href="http://database.ul.com/cgi-bin/XYV/template/LISEXT/1FRAME/index.htm">http://database.ul.com/cgi-bin/XYV/template/LISEXT/1FRAME/index.htm</a> | FILE E 214596 |
|------------|---|---|---------------|

|              |   |  |  |
|--------------|---|--|--|
| cULus Listed |  |  |  |
|--------------|---|--|--|

---

Phoenix Contact 2018 © - all rights reserved  
<http://www.phoenixcontact.com>

PHOENIX CONTACT GmbH & Co. KG  
Flachsmarktstr. 8  
32825 Blomberg  
Germany  
Tel. +49 5235 300  
Fax +49 5235 3 41200  
<http://www.phoenixcontact.com>