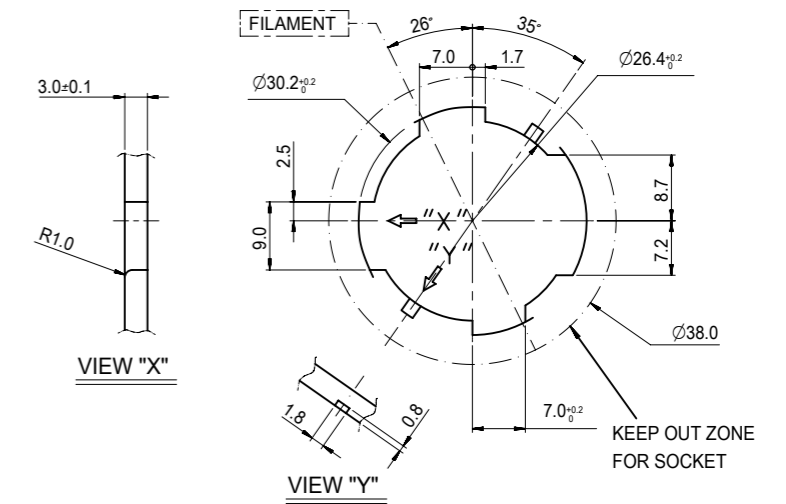
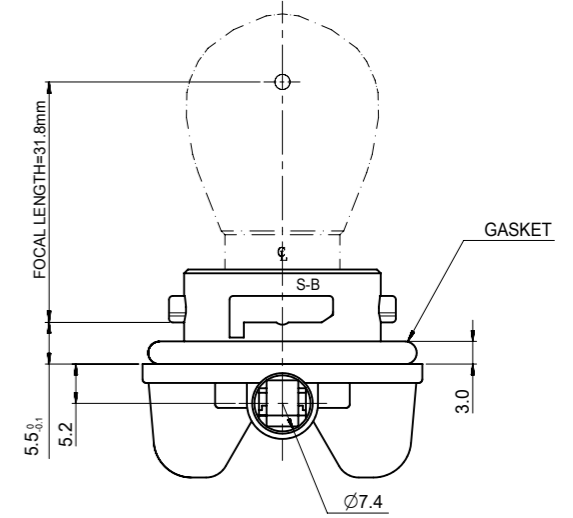
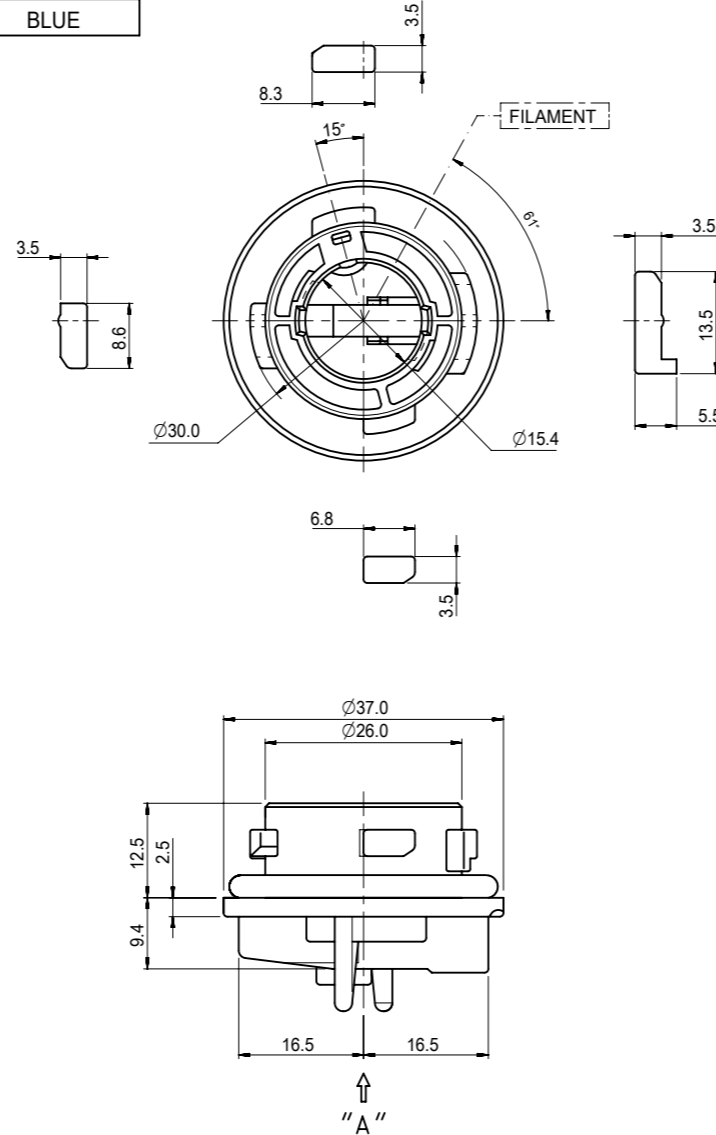
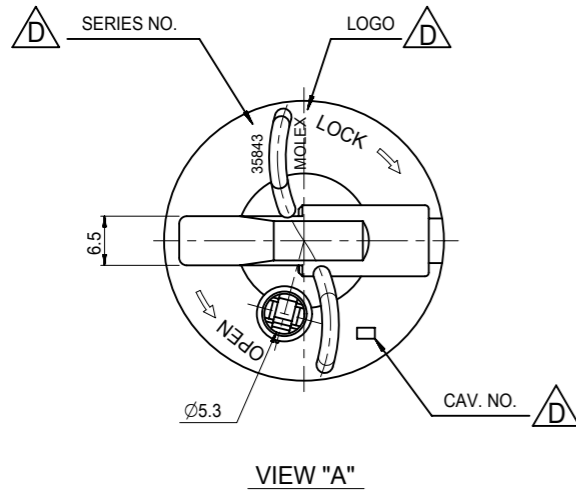


- NOTES
- FOCAL LENGTH = 31.8mm
 - PRODUCT SPECIFICATION: PS-35842-001
 - APPLICABLE BULB CAP: P21W(BA15s)
 - MATES WITH

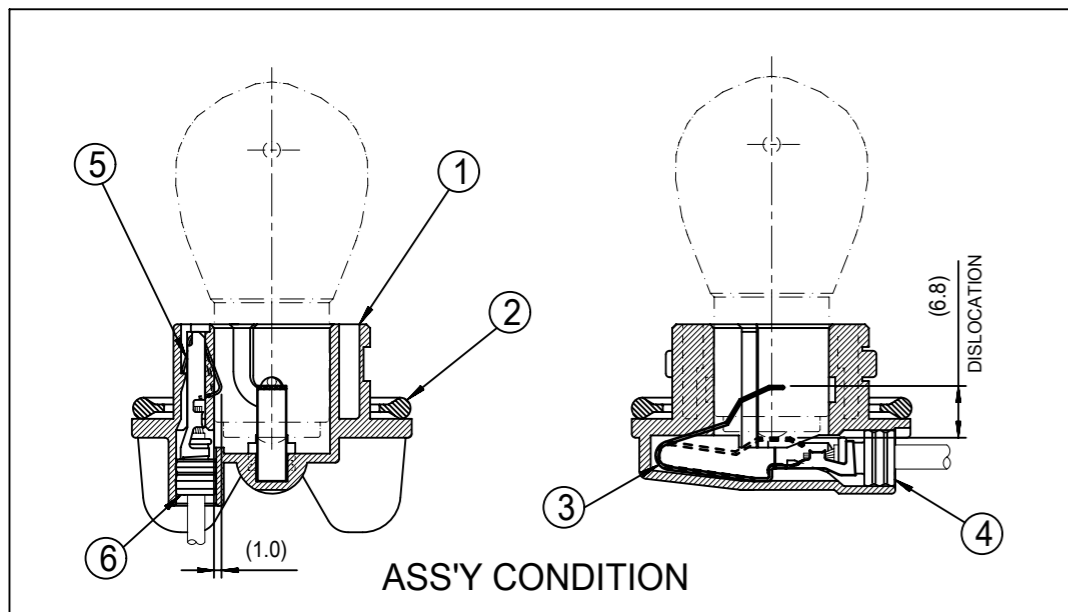
<PART LIST>

| NO. | DESCRIPTION | MATERIAL | USAGE | REMARK |
|-----|---------------|----------|-------|--------|
| ① | SINGLE SOCKET | PA66 M/F | 1 | B TYPE |
| ② | SEAL GASKET | NBR | 1 | BLACK |

| NO. | DESCRIPTION | MATERIAL | ORDER NO. | REMARK |
|-----|--------------------|-----------------|------------|----------|
| ③ | POSITIVE TERMINAL | PHOSPHOR BRONZE | 35464-8000 | UNPLATED |
| ④ | POSITIVE WIRE SEAL | SILICONE | 35903-0096 | BROWN |
| ⑤ | EARTH TERMINAL | PHOSPHOR BRONZE | 35465-8000 | UNPLATED |
| ⑥ | EARTH WIRE SEAL | SILICONE | 35903-0106 | BLUE |



MOUNTING INTERFACE
(MI-2)



<TABLE 1>

| MATERIAL NO. | ORDER NO. | COLOR |
|--------------|------------|-------|
| 358431211 | 35843-1211 | BLACK |
| 358431215 | 35843-1215 | GRAY |
| 358431216 | 35843-1216 | WHITE |
| 358431217 | 35843-1217 | BROWN |

THIS DRAWING CONTAINS INFORMATION THAT IS PROPRIETARY TO MOLEX ELECTRONIC TECHNOLOGIES, LLC AND SHOULD NOT BE USED WITHOUT WRITTEN PERMISSION

| DIMENSION UNITS | | SCALE | | CURRENT REV DESC: OBSOLETE PART NUMBER. | |
|--|--------|----------------|------|---|------------|
| MM | NTS | MM | INCH | | |
| GENERAL TOLERANCES (UNLESS SPECIFIED) | | | | EC NO: 628210 | |
| 4 PLACES | ± | ± | | DRWN: AKUMAR19 | 2018/10/31 |
| 3 PLACES | ± | ± | | CHK'D: GGA | 2019/12/17 |
| 2 PLACES | ± 0.15 | ± | | APPR: GGA | 2019/12/17 |
| 1 PLACE | ± 0.25 | ± | | INITIAL REVISION: | |
| 0 PLACES | ± | ± | | DRWN: YSIKKIM | 1999/06/30 |
| ANGULAR TOL ± 2.0° | | | | APPR: CWLEE | 1999/06/30 |
| DRAFT WHERE APPLICABLE MUST REMAIN WITHIN DIMENSIONS | | | | THIRD ANGLE PROJECTION | DRAWING |
| | | | | | SERIES |
| | | | | A3-SIZE | 35843 |
| DOCUMENT NUMBER | | DOC TYPE | | DOC PART | |
| SD-35843-002 | | PSD | | 001 | |
| MATERIAL NUMBER | | CUSTOMER | | SHEET NUMBER | |
| SEE TABLE 1 | | GENERAL MARKET | | 1 OF 1 | |

SEALING INFORMATION: SEE TABLE 1

PRODUCT CUSTOMER DRAWING

molex

SEALED PT BULB SOCKET
SINGLE HOUSING ASS'Y (B-TYPE)

REVISION: 01
DATE: 2018/01/17