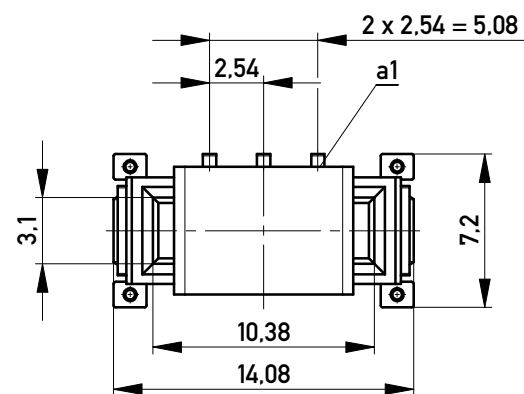
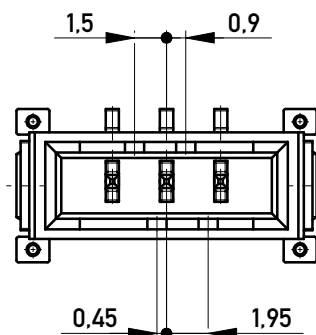
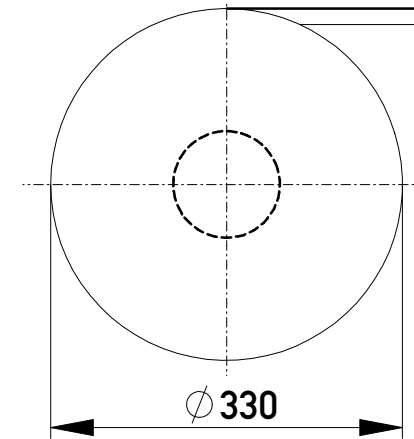


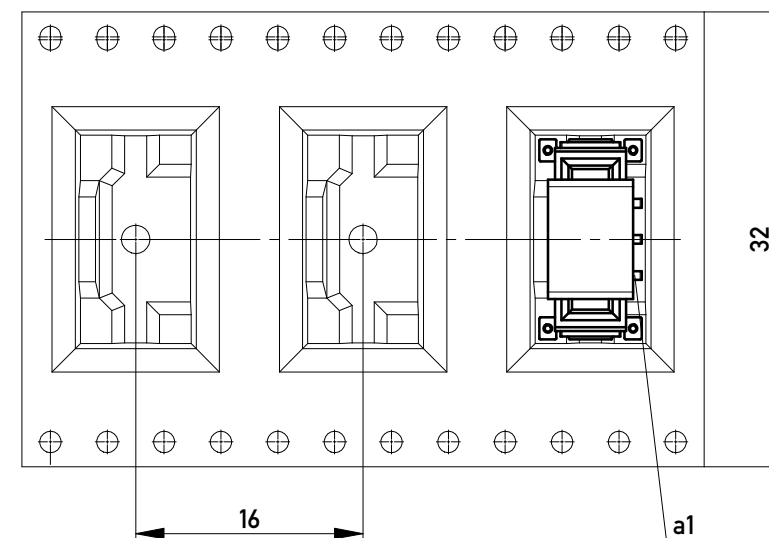
ohne Ansaughaube
without hood



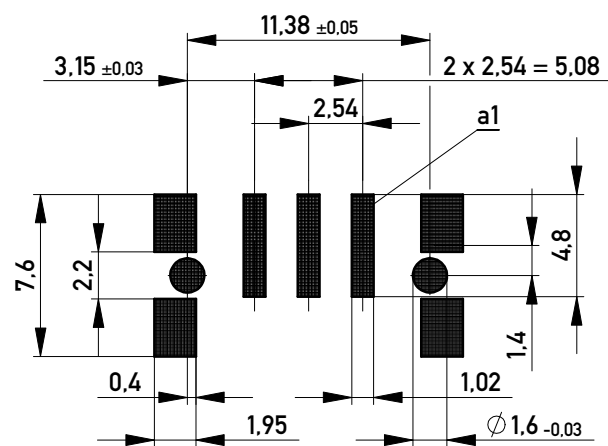
Verpackt in Gurtverpackung
Tape on Reel Packaging
Verpackungseinheit: 320 Stück
Packaging unit: 320 pcs



Abspulrichtung - Reel off Direction



Leiterplatten-Layout Vorschlag für SMT
PCB-Layout Proposal for SMT



Anforderungsstufe 1
Performance Level 1

Kontaktbereich vergoldet
Mating Area gold plating

Anschlussbereich verzinkt 4-6 µm
Terminal Area 4-6 µm tin plating

Koplanarität der Anschlüsse ≤ 0,1 mm
Coplanarity Area of Termination ≤ 0,1 mm

Copyright by ERNI GmbH Proprietary notice pursuant to ISO 16016 to be observed.	Information: Codierung, schwarz - coding, black	Tolerances All Dimensions in mm	Scale 3:1
	All rights reserved. Only for Information. To ensure that this is the latest version of this drawing, please contact one of the ERNI companies before using.	Subject to modification without prior notice. Drawing will not be updated.	Designation M 2,54 SRC-P, 3-polig
g Index	24.04.2013 Date	www.ERNI.com	100302000001
			Class SRCP
			K A3