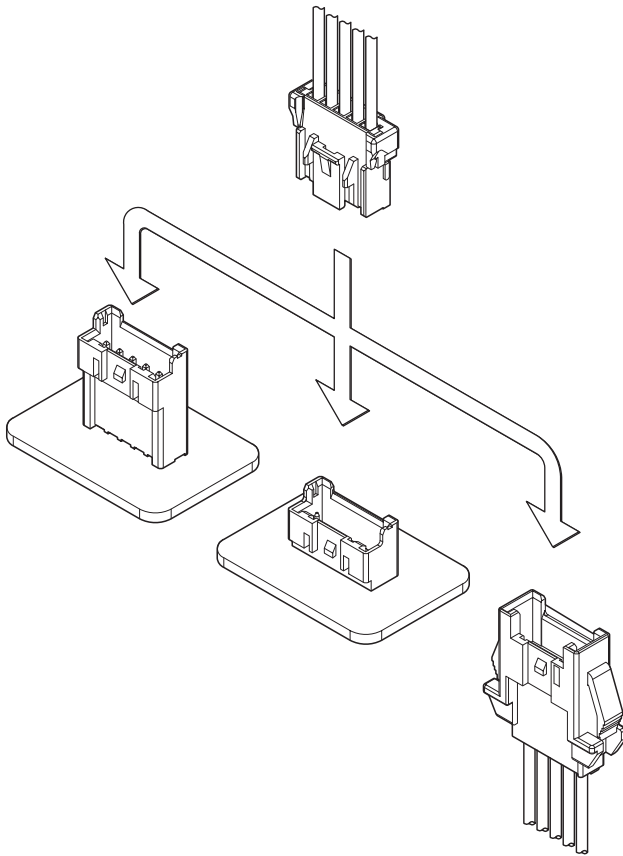




XAF CONNECTOR

2.5 mm pitch/Wire-to-board (IDC disconnectable style)/Wire-to-wire (IDC disconnectable style)



XAF connector is an insulation displacement socket connector which is compatible with the existing XA connector crimp housing (plug housing). The dipping type, SMT type, and high box type headers or the receptacle housings used for wire-to-wire connection can be prepared as the mated counterpart of XAF connector, and the wide range of connection style can be provided depending on the application.

- **Secure locking structure**
- **Low insertion force**
- **Insertion guide mechanism**
- **Metallic strain relief**
- **Retainer with four locking points**
- **Twin U-slot for high reliability**
- **Interchangeability**

Specifications

- Current rating: 3 A AC, DC max. (AWG #22)
- Voltage rating: 150 V AC, DC max.
- Temperature range: -40°C to +105°C
(including temperature rise in applying electrical current)
- Contact resistance: Initial value/ 10 mΩ max.
After environmental tests/ 20 mΩ max.
- Insulation resistance: 1,000 MΩ min.
- Withstanding voltage: 1,000 VAC/minute
- Applicable wire: UL10002 (Contact JST for details regarding other UL styles.)
AWG #22
Conductor/ 7 strands,
tin-coated annealed copper
Insulation O.D./ 1.0 to 1.5 mm

* Refer to "General Instruction and Notice when using Terminals and Connectors" at the end of this catalog.

* Contact JST for details.

* Compliant with RoHS.

Standards

 Recognized E60389

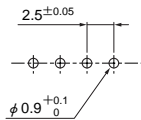
 Certified LR20812

PC board layout and Assembly layout

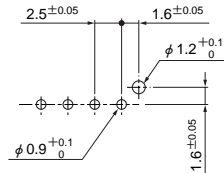
<Through-hole type>

Top entry type • High box type

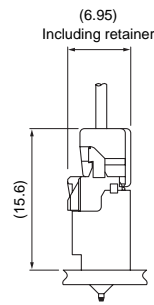
•Without boss



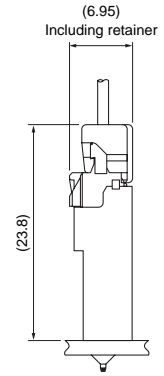
•With boss



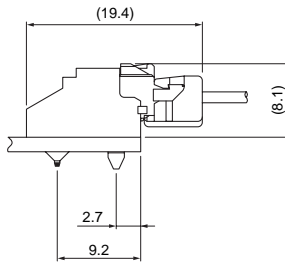
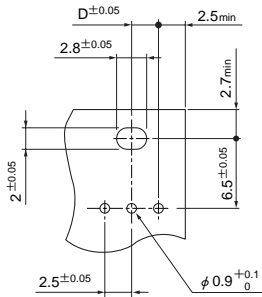
•Top entry type



•High box type



Side entry type

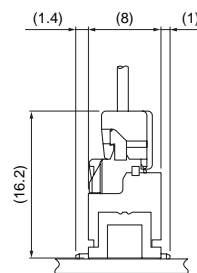
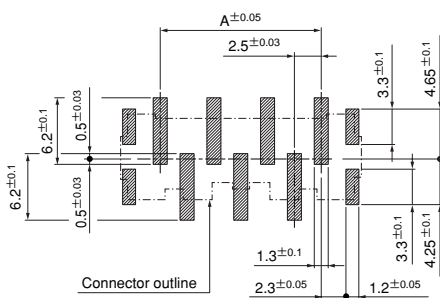


Circuits	Dimensions D (mm)
2	1.25
3	2.50
4	3.75
5	5.00
6	6.25
7	7.50
8	8.75
9	10.00
10	11.25
11	12.50
12	13.75
13	15.00
14	16.25

- Note: 1. The above figure is the figure viewed from the connector mounting side.
 2. Tolerances are non-cumulative: ± 0.05 mm for all centers.
 3. Hole dimensions differ according to the type of PC board and piercing method.
 The dimensions above should serve as a guideline. Contact JST for details.

<SMT type>

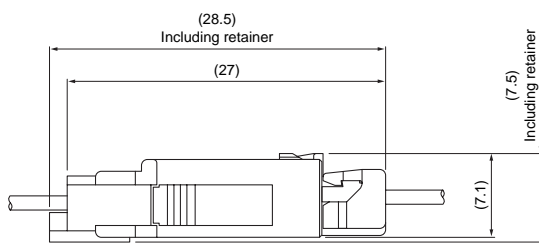
Top entry type



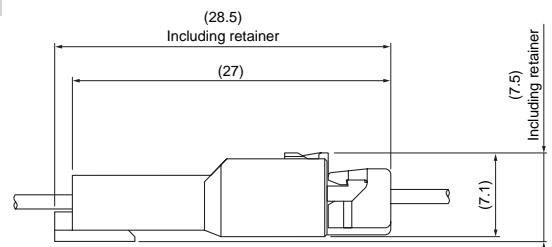
- Note: 1. The above figure is the figure viewed from the connector mounting side.
 2. Tolerances are non-cumulative: ± 0.05 mm for all centers.
 The dimensions above should serve as a guideline. Contact JST for details.

<Wire-to-wire>

With panel lock

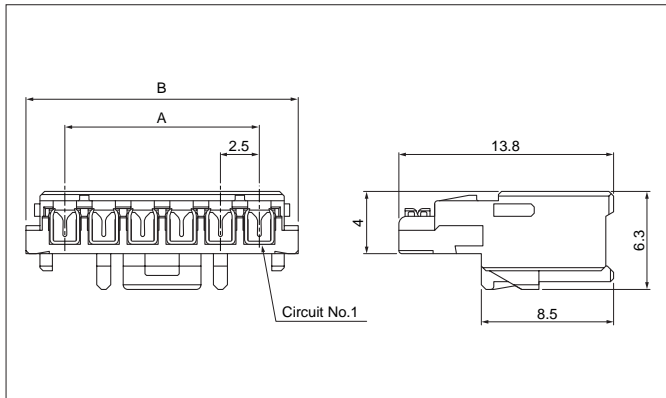


Without panel lock



XAF CONNECTOR

Socket



Circuits	Model No.	Dimensions (mm)		Q'ty/ box
		A	B	
2	02XAF-2S	2.5	7.5	1,000
3	03XAF-2S	5.0	10.0	1,000
4	04XAF-2S	7.5	12.5	800
5	05XAF-2S	10.0	15.0	600
6	06XAF-2S	12.5	17.5	600
8	08XAF-2S	17.5	22.5	400
10	10XAF-2S	22.5	27.5	300
20	20XAF-2S	47.5	52.5	150

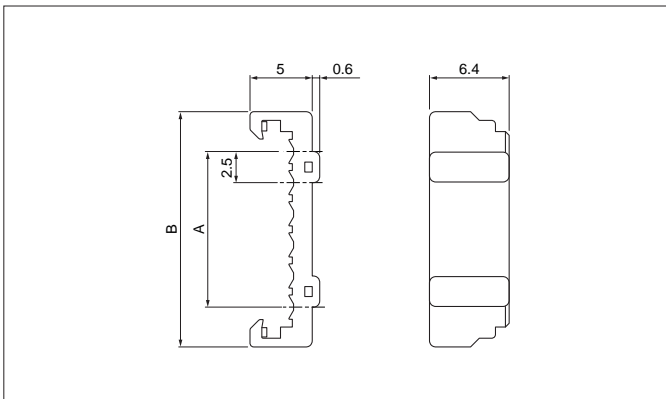
Material and Finish

Contact: Copper alloy, tin-plated (reflow treatment)
Housing: PA 66, UL94V-0, natural (white)

RoHS compliance

Note: Please contact JST Guntersville, AL USA for automated cable assembly.

Retainer



Circuits	Model No.	Dimensions (mm)		Q'ty/ bag
		A	B	
2	XAFS-02V-S	2.5	8.9	1,000
3	XAFS-03V-S	5.0	11.4	1,000
4	XAFS-04V-S	7.5	13.9	1,000
5	XAFS-05V-S	10.0	16.4	1,000
6	XAFS-06V-S	12.5	18.9	1,000
8	XAFS-08V-S	17.5	23.9	1,000
10	XAFS-10V-S	22.5	28.9	1,000
20	XAFS-20V-S	47.5	53.9	500

Material

Glass-filled PA 66, UL94V-0, natural (ivory)

RoHS compliance

Shrouded header

The shrouded headers are interchangeable with those of the XA crimp style connectors.

Housing & Pin contact (Wire-to-wire)

The housings and the pin contacts are interchangeable with those of the XA wire-to-wire connectors.