

**PLEASE CHECK WWW.MOLEX.COM FOR LATEST PART INFORMATION**

**Part Number:** [0878712321](#)  
**Status:** **Active**  
**Description:** 1.25mm (.049") Pitch Board-to-Board Receptacle, Through Hole with Kinked PC Tails, 21 Circuits, Tin (Sn) Overall, Tube Packaging, Lead-free

**Documents:**

[3D Model](#) [Product Specification PS-87871-006 \(PDF\)](#)  
[Drawing \(PDF\)](#) [RoHS Certificate of Compliance \(PDF\)](#)

**General**

Product Family	PCB Receptacles
Series	<a href="#">87871</a>
Application	Board-to-Board
Comments	ZIGZAG
Product Name	N/A

**Physical**

Circuits (Loaded)	21
Durability (mating cycles max)	10
Glow-Wire Compliant	No
Lock to Mating Part	None
Mated Height (in)	0.154 In
Mated Height (mm)	3.90 mm
Material - Metal	Copper
Material - Plating Mating	Tin
Material - Plating Termination	Tin
Number of Rows	2
Orientation	Right Angle
PC Tail Length (in)	0.138 In
PC Tail Length (mm)	3.50 mm
PCB Locator	No
PCB Retention	Yes
PCB Thickness Recommended (in)	0.062 In
PCB Thickness Recommended (mm)	1.60 mm
Packaging Type	Tube
Pitch - Mating Interface (in)	0.049 In
Pitch - Mating Interface (mm)	1.25 mm
Polarized to Mating Part	Yes
Polarized to PCB	Yes
Stackable	No
Surface Mount Compatible (SMC)	No
Temperature Range - Operating	-40°C to +105°C
Termination Interface: Style	Surface Mount

**Electrical**

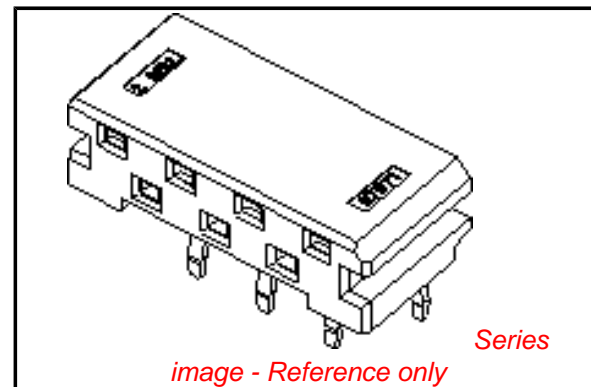
Current - Maximum per Contact	2A
Voltage - Maximum	125V

**Material Info**

Old Part Number	87871-2323
-----------------	------------

**Reference - Drawing Numbers**

Product Specification	PS-87871-006
Sales Drawing	SD-87871-010



**EU RoHS**

**ELV and RoHS  
Compliant**  
**REACH SVHC  
Contains SVHC: No**  
**Halogen-Free**  
**Status**  
**Not Reviewed**

**China RoHS**



**Need more information on product  
environmental compliance?**

Email [productcompliance@molex.com](mailto:productcompliance@molex.com)  
For a multiple part number RoHS Certificate of Compliance, [click here](#)

Please visit the [Contact Us](#) section for any non-product compliance questions.

**Search Parts in this Series**

[87871Series](#)

**Mates With**

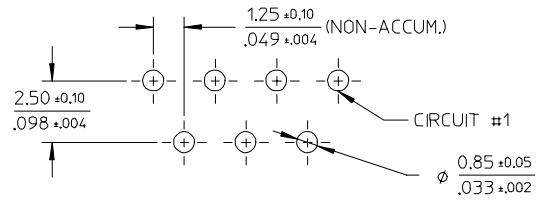
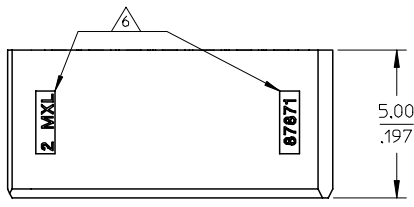
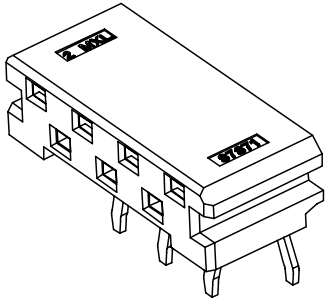
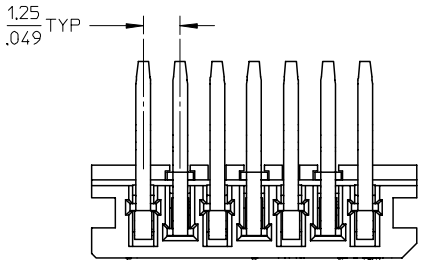
[87872 Board-to-Board Header](#)

This document was generated on 04/19/2010

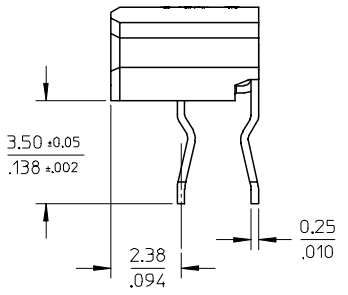
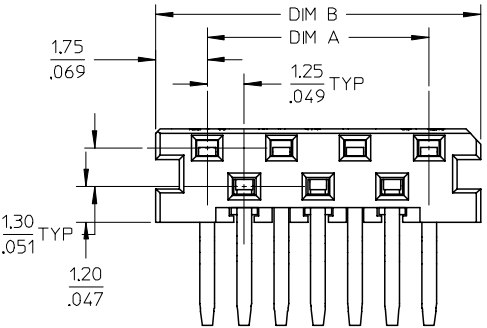
**PLEASE CHECK [WWW.MOLEX.COM](http://WWW.MOLEX.COM) FOR LATEST PART INFORMATION**

10 9 8 7 6 5 4 3 2 1

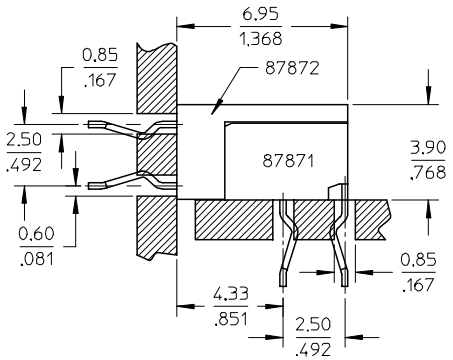
PART NUMBER	CKT SIZE	DIM A	DIM B
87871-2317	17	20.0	23.5
87871-2319	19	22.5	26.0
87871-2321	21	25.0	28.5
87871-2323	23	27.5	31.0



RECOMMENDED PCB LAYOUT  
(BOARD THICKNESS : 1.6MM)



- NOTES
- MATERIAL : HOUSING - HIGH TEMP THERMOPLASTIC, GLASS FILLED, UL94 V-0, COLOR : NATURAL  
TERMINAL - PHOSPHOR BRONZE
  - FINISHES : TERMINAL - TIN OVERALL  
THICKNESS= 3 MICROMETER/118 MICROINCH MINIMUM
  - PRODUCT SPECIFICATION : PS-87871-006
  - PART MATEABLE TO 87872-11\*\*
  - PARTS ARE PACKED IN TUBE.  
△ CAVITY IDENTIFICATION NUMBER



EC NO: S2005-0142 DRAWN: BLOW 2004/11/01 CHKD: PTLIM 2004/11/01 APPR: SKTOH 2004/11/04	QUALITY SYMBOLS ▽=0 ▽=0	GENERAL TOLERANCES (UNLESS SPECIFIED)		DIMENSION STYLE	SCALE	DESIGN UNITS	THIRD ANGLE PROJECTION		
				MM/IN	NTS	METRIC			
				mm	INCH	DRAWN BY		TITLE	
				4 PLACES ± --- ± ---		DATE		SALES DRAWING	
		3 PLACES ± --- ± ---		BLOW 2004/03/31		ZIGZAG, 1.25MM, BTB			
		2 PLACES ± 0.20 ± ---		CHECKED BY		RECEPTACLE (LEAD-FREE)			
		1 PLACE ± --- ± ---		DATE		MOLEX INCORPORATED			
		ANGULAR ± 3 °		PTLIM 2004/04/07		MATERIAL NO.			
		DRAFT WHERE APPLICABLE		APPROVED BY		DOCUMENT NO.			
		MUST REMAIN WITHIN DIMENSIONS		SCLOW 2004/04/13		SD-87871-010			
		SEE TABLE		MATERIAL NO.		SHEET NO.			
		THIS DRAWING CONTAINS INFORMATION THAT IS PROPRIETARY TO MOLEX INCORPORATED AND SHOULD NOT BE USED WITHOUT WRITTEN PERMISSION		DATE		1 OF 1			

9 8 7 6 5 4 3 2 1