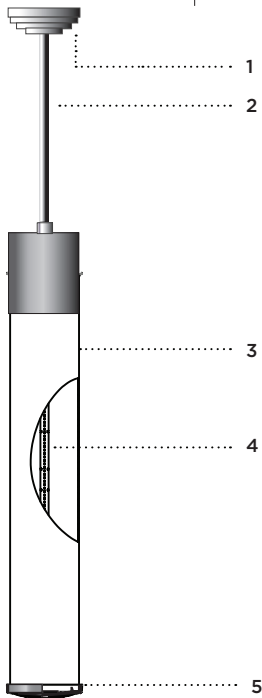


TYPE: \_\_\_\_\_ QUANTITY: \_\_\_\_\_ PROJECT: \_\_\_\_\_

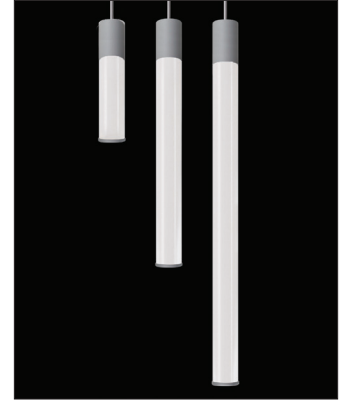
CATALOG NUMBER:

FIXTURE    WATTAGE    VOLTAGE    FINISH    OPTION    OPTION    OPTION    OPTION



- 1- Standard heavy duty 45° hang straight swivel, with 5" diameter (127) canopy and universal mounting plate.
- 2- 7/8" diameter (22) X36" long (914) suspension stem. Precut factory stems are available on request. (Specify STM with desired length)
- 3- Ø 6" (152) High impact white translucent acrylic diffuser UV stabilized. Available acrylic lengths include 27" (686), 51" (1295) and 75" (1905).
- 4- LED array.
- 5- Heavy cast aluminum cover with embedded heat sink.

CL622/CL642/CL672



### MATERIALS

LumiSTIK pendant is made of corrosion resistant 356 aluminum alloy with a copper (CU) content of less than 0.1%. LED is contained in a white UV stabilized high impact acrylic sealed cylinder. The assembly is designed to provide a uniform column illumination. LumiSTIK pendant is available with three standard acrylic lengths. Other lengths are available on request.

### ELECTRICAL

**DRIVER** Standard driver is 0-10V dimming-ready (dims to 10%) with: 120-277 multi-volt compatibility (50-60Hz), operating temperatures of -30°C/-22°F to 60°C/140°F, output over voltage protection, output over current protection, output short circuit protection with auto-recovery.

**LED** Standard 4000K CCT/80 CRI. Optional 2700K, 3000K and 3500K. Removable modular LED platform.

### LIFE

50,000hrs L<sub>85</sub>B<sub>50</sub> (based on IESNA TM-21 Test Method and LM-80 data).

### FINISH

Five-stage preparation process includes preheating of cast aluminum parts for air extraction. Polyester powder coating is applied through an electrostatic process, and oven cured for long term finish.

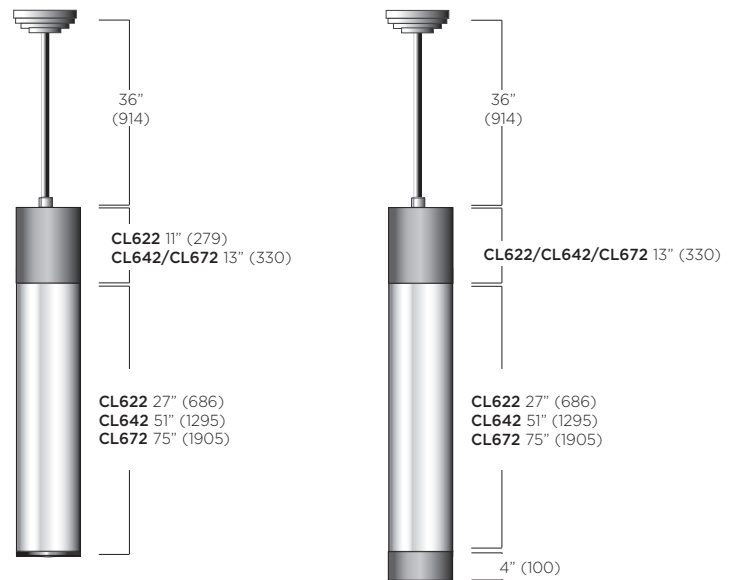
### CERTIFICATION

Tested to UL1598 and CSA 22.2 #250. ETL listed damp location. Photometric testing performed by an independent laboratory in accordance with IES LM-79-08 standards at 25°C. Lumen depreciation in accordance with IESNA LM80 standards. CE certification on request. Rated IP65.

### MOUNTING

Mounts on a standard 4" (102) octagonal electrical box with 3 1/2" (89) C/C mounting holes.

### DOWNLIGHT OPTION




# CL622/CL642/CL672 SERIES LumiSTIK - LED

## TYPICAL PHOTOMETRY SUMMARY

Please visit our web site [www.luminis.com](http://www.luminis.com) for complete I.E.S. formatted download data.

## LUMINAIRE SELECTION

MODEL#	LED LIGHT SELECTION (4000K/80CRI)	VOLTAGE <sup>1</sup>	FINISH																								
 <ul style="list-style-type: none"> <li><input type="checkbox"/> CL622 (27")</li> <li><input type="checkbox"/> CL642 (51")</li> <li><input type="checkbox"/> CL672 (75")</li> </ul>	<table border="1"> <thead> <tr> <th>SUFFIX</th> <th>INPUT WATTS</th> <th>DELIVERED LUMENS</th> </tr> </thead> <tbody> <tr> <td>CL622</td> <td><input type="checkbox"/> L168W45 45W</td> <td>3780</td> </tr> <tr> <td></td> <td><input type="checkbox"/> L168W65 65W</td> <td>5395</td> </tr> <tr> <td>CL642</td> <td><input type="checkbox"/> L336W45 45W</td> <td>3870</td> </tr> <tr> <td></td> <td><input type="checkbox"/> L336W65 65W</td> <td>5525</td> </tr> <tr> <td></td> <td><input type="checkbox"/> L336W100 100W</td> <td>8400</td> </tr> <tr> <td>CL672</td> <td><input type="checkbox"/> L504W65 65W</td> <td>5655</td> </tr> <tr> <td></td> <td><input type="checkbox"/> L504W100 100W</td> <td>8500</td> </tr> </tbody> </table>	SUFFIX	INPUT WATTS	DELIVERED LUMENS	CL622	<input type="checkbox"/> L168W45 45W	3780		<input type="checkbox"/> L168W65 65W	5395	CL642	<input type="checkbox"/> L336W45 45W	3870		<input type="checkbox"/> L336W65 65W	5525		<input type="checkbox"/> L336W100 100W	8400	CL672	<input type="checkbox"/> L504W65 65W	5655		<input type="checkbox"/> L504W100 100W	8500	<input type="checkbox"/> 120V <input type="checkbox"/> 277V  Optional <input type="checkbox"/> 347V	<b>STANDARD COLORS</b> <input type="checkbox"/> WHT Snow white <input type="checkbox"/> BKT Jet black <input type="checkbox"/> BZT Bronze <input type="checkbox"/> MST Matte silver <input type="checkbox"/> GRT Titanium gray <input type="checkbox"/> DGT Gun metal <input type="checkbox"/> CHT Champagne  <b>OPTIONAL COLORS</b> <input type="checkbox"/> CS Custom color <input type="checkbox"/> RAL RAL# color  (Refer to color chart)
	SUFFIX	INPUT WATTS	DELIVERED LUMENS																								
	CL622	<input type="checkbox"/> L168W45 45W	3780																								
		<input type="checkbox"/> L168W65 65W	5395																								
	CL642	<input type="checkbox"/> L336W45 45W	3870																								
		<input type="checkbox"/> L336W65 65W	5525																								
		<input type="checkbox"/> L336W100 100W	8400																								
	CL672	<input type="checkbox"/> L504W65 65W	5655																								
		<input type="checkbox"/> L504W100 100W	8500																								

## OPTIONS

### ELECTRICAL

- FS** Fuse
- 347L** 347V input power driver
- SP** Surge protector 10KV
- REML2-50** Remote mount battery backup for LED, 90 min., 7W Remote mount to 50ft - 12" Square enclosure with access cover.

### MOUNTING

- CAT2** Catenary suspension attachment
- STM** Longer hang straight stem. Please add length with option suffix.

### ACCESSORIES

- FT6** Flat translucent bottom

### LIGHT

- Alternate CCT °K LED (LCF: Lumen conversion factor)
- K27** 2700K CCT 80 CRI (LCF: 0.91)
  - K3** 3000K CCT 80 CRI (LCF: 0.94)
  - K35** 3500K CCT 80 CRI (LCF: 0.98)

NOTE: Other CCT & higher CRI available, please consult factory.

### DOWNLIGHT COMPONENT & REFLECTOR <sup>2</sup>

- DL12** 12W downlight component (1139 Lms)
- DL18** 18W downlight component (1686 Lms)
- DL30** 30W downlight component (3230 Lms)
- R20** 20° reflector optics (standard reflector)
- R45** 45° flood reflector optics
- R60** 60° wide flood reflector optics

### NOTES

- 1- If no voltage is specified, luminaires are factory prewired by default for 120V. For other voltages, please specify with catalog number, or consult factory.
- 2- Must select downlight component and reflector (otherwise 20° reflector optics will be offered by default). Downlight CCT will match CCT selected for fixture. OAH of fixture will increase by 4" with the addition of a downlight component for all models (see image on page 1). An additional 3" will be applied to the stem housing (between parts 2 and 3) when selecting model CL672 with the downlight option (housing will be 12" instead of 9").

**LUMINIS**®

LUMINIS | Toll free: 866.586.4647 Fax: 514.683.8872  
260 Labrosse, Pointe-Claire (QC) Canada H9R 5L5

LUMINIS.COM

Luminaires may be altered for design improvement or discontinued without prior notice.

OPTIONS

CATENARY SUSPENSION

