

KSI Series Sealed Tact Switches



Features/Benefits

- Long and soft actuator
- Distinctive tactile feel
- 1.1 & 3 N actuation force
- Ground terminal optional
- RoHS compliant and compatible

Typical Applications

- Automotive
- Automation
- Door entry systems
- Remote controls

Specification

FUNCTION: Momentary action
 CONTACT ARRANGEMENT: 1 make contact = SPST, N.O.
 DISTANCE BETWEEN BUTTON CENTERS (min.): 7.62 (0.300)
 TERMINALS: PC pins

Mechanical

Type	Actuation force N	Operating life (operations)	Travel to make
KSI0M411	2.25 - 4.0	100,000	1,1 ± 0,2
KSI0V211	1.5 - 2.5	100,000	0,7 ± 0,2
KSI0V411	2.25 - 4.0	100,000	1,1 ± 0,2

Durometer for silicone actuator is 50 shore

Packaging

Delivered in boxes of 500 pieces (M version) or 250 pieces (V version).

NOTE: Specifications listed above are for switches with standard options.
 For information on specific and custom switches, consult Customer Service Center.

This data sheet does not provide enough information for applications which require a certain level of quality or safety such as automotive, medical systems, safety equipment.
 Please contact your sales representative to get contractual specification package.

Electrical

	Silver	Gold
MAXIMUM POWER:	1 VA	0.2 VA
MAXIMUM VOLTAGE:	32 VDC	32 VDC
MINIMUM VOLTAGE:	20 mV	20 mV
MAXIMUM CURRENT:	50 mA	10 mA
MINIMUM CURRENT:	1 mA	1 mA
DIELECTRIC STRENGTH (50 Hz, 1 min.):	300 Vrms	
CONTACT RESISTANCE:	< 50 mΩ	
INSULATION RESISTANCE (100V):	> 10 ¹¹ Ω	
BOUNCE TIME:	< 1 ms	

Environmental

	Silver	Gold
OPERATING TEMPERATURE:	-40°C to 90°C	-40°C to 125°C
STORAGE TEMPERATURE:	-40°C to 90°C	-55°C to 125°C

Process

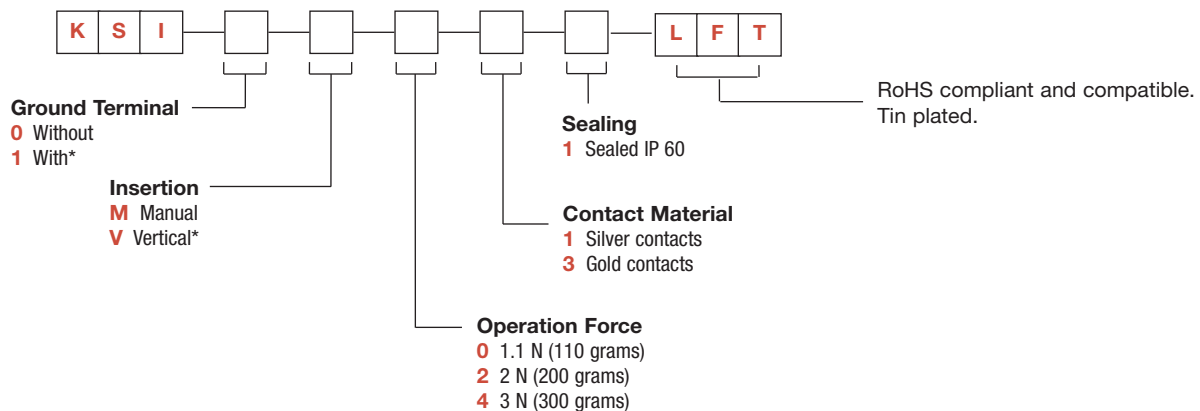
Wave soldering, compatible with lead free soldering profile.

How To Order

Our easy build-a-switch concept allows you to mix and match options to create the switch you need. To order, select desired option from each category and place it in the appropriate box.

However, please note that all the combinations of these options are not feasible.

For any part number different from those listed in the table above, please consult your local representative.



*Note: "1" Ground terminal not compatible with "V" insertion

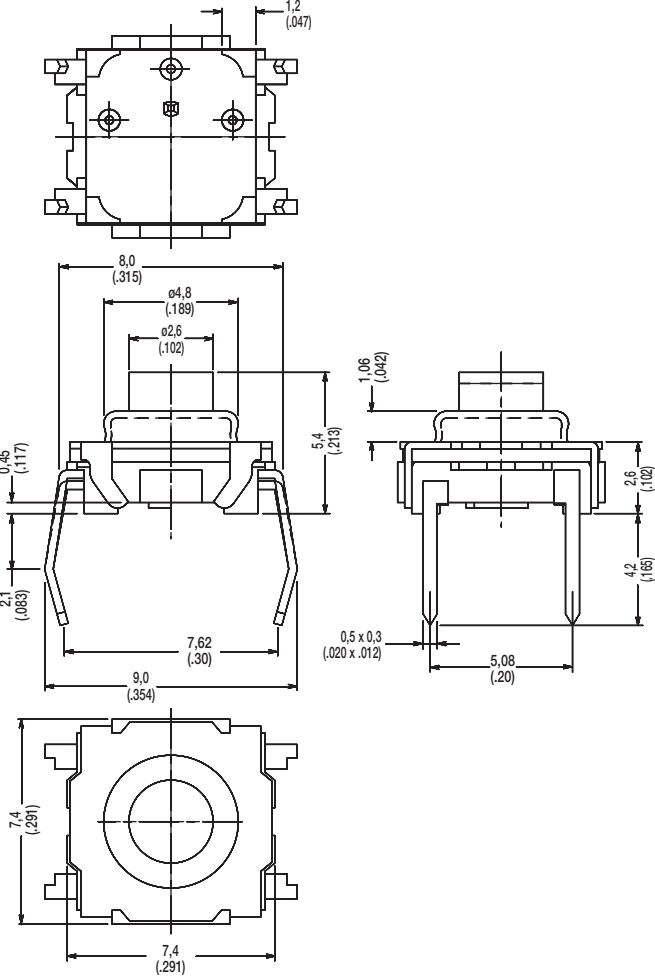
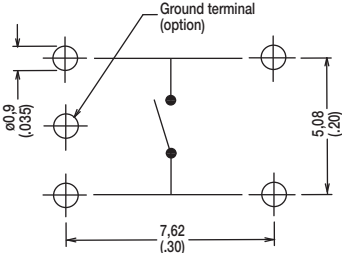
KSI Series Sealed Tact Switches

KSI

M MANUAL



PCB LAYOUT



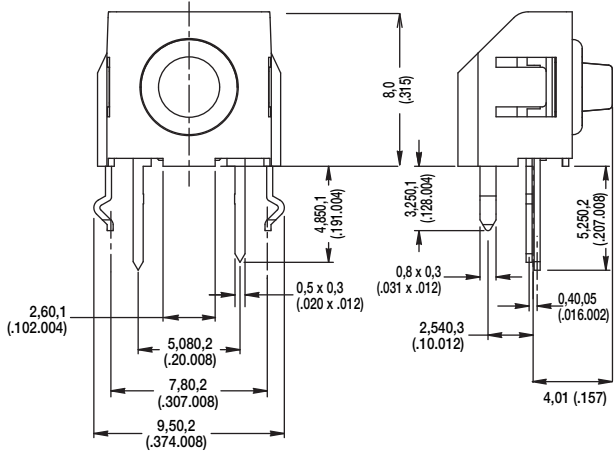
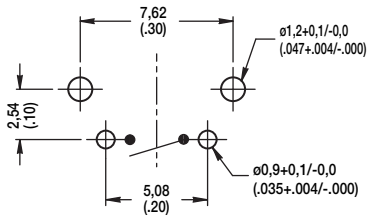
B

Tactile Switches

V VERTICAL



PCB LAYOUT



Dimensions are shown: Inch (mm)
Specifications and dimensions subject to change

