



ETA-USA

HIGH QUALITY SWITCHING POWER SUPPLIES

AC/DC SWITCHING POWER SUPPLY
OPEN FRAME 2"x4"
60 WATTS
AC INPUT 90~264 / SINGLE OUTPUT

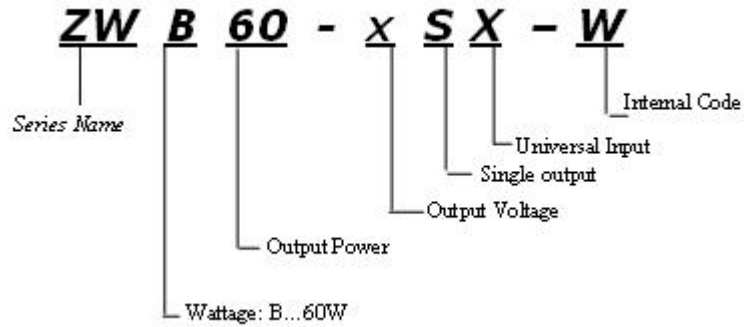
ZWB60-xSX-W Series



Dimension: L101.6×W50.8×H26mm
(4"×2"×1.02")



General Description



Input

Input Voltage Range:	90-264VAC
Frequency:	47-63Hz
Input Current:	2A max. (RMS) @ 115VAC
Inrush Current:	<40A peak @ 115VAC <80A peak @ 230VAC (Cold start @25°C)*
Efficiency :	80% typical at full load

Features

1. Open Frame 2"x 4"
2. CN1 = AC INPUT MOLEX P/N: 09-65-2029 (OR EQUIVALENT)
FEMALE HOUSING MOLEX P/N: 09-76-1020 (OR EQUIVALENT)
3. CN2 = DC Output MOLEX P/N: 09-65-2068 (OR EQUIVALENT)
FEMALE HOUSING MOLEX P/N: 09-52-4064 (OR EQUIVALENT)

* At 25°C including initial tolerance, line voltage, load currents and output voltages adjusted to factory settings.

Output Characteristic	Unit	ZWB60-05SX-W	ZWB60-12SX-W	ZWB60-15SX-W	ZWB60-19SX-W	ZWB60-24SX-W	ZWB60-36SX-W	ZWB60-48SX-W
		Output Voltage	Vdc	5	12	15	19	24
Minimum Load	A	0	0	0	0	0	0	0
Maximum Load with Convection Cooling	A	8	5	4	3.16	2.5	1.67	1.25
Output Watts	W	60	60	60	60	60	60	60
O/P Regulation	%	3%	3%	3%	3%	3%	3%	3%
Ripple & Noise (Vp-p)*	Vp-p	50	120	150	190	240	300	300
Hold-up time	mS	10ms at 60 watt load and 115VAC nominal line						

* Peak-to-peak with 20MHz bandwidth with a tantalum 10uF in parallel with a 0.1uF ceramic capacitor



ETA USA
16170 Vineyard Blvd. Suite 180, Morgan Hill, CA 95037
Phone: 1-800-ETA-POWR, (408) 778-2793 Fax: (408) 779-2753

Visit us at: www.eta-usa.com
email at: sales@eta-usa.com

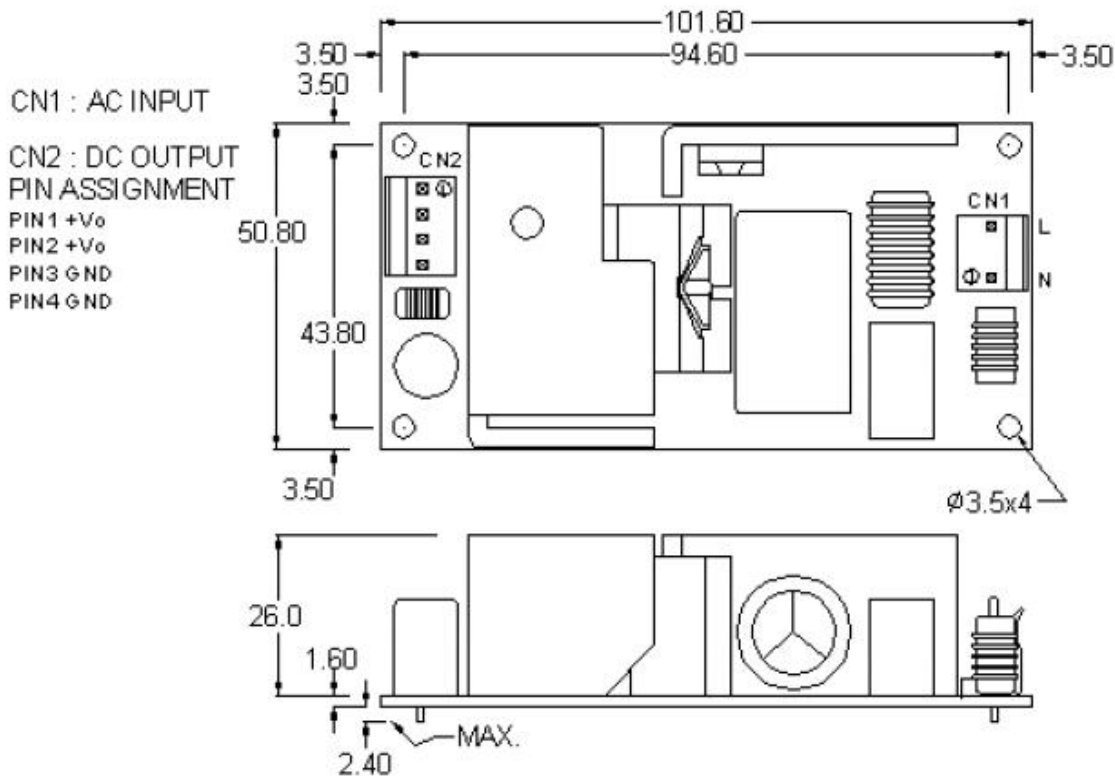


ETA-USA

HIGH QUALITY SWITCHING POWER SUPPLIES

Environmental Specification	
Operating Temperature	0 to +40°C ambient derate each output at 2.5% per degree from +40°C to +60°C
Humidity	Non-condensing 5% to 95%
Temperature Co-efficient	±0.04% / °C
MTBF demonstrated	>80'000 hours at full load and 25 °C ambient temperature
Environmental Agencies	
Safety Standards (Pending)	UL 60950 CSA 22.2-No.60950 TUV EN60950 CB IEC 60950
EMI Standards (Pending)	FCC Class B CISPR 22 Class B EN 55022 Class B EN 55024 CE
Protection	
Short circuit protection	Auto recovery
Over Voltage Protection	Output 110% to 130% above following nominal output Latching type. AC Recycle.
Over Load Protection	Over load protected @ 110% to 160% above following maximum rating
Mechanical	
Dimension [mm]:	L101.6×W50.8×H26mm (4"×2"×1.02")

DIMENSION DIAGRAM (mm)



MATCHING CONNECTORS

CN1 = AC INPUT MOLEX P/N: 09-65-2029 (OR EQUIVALENT) FEMALE HOUSING MOLEX P/N: 09-76-1020 (OR EQUIVALENT)
CN2 = DC Output MOLEX P/N: 09-65-2068 (OR EQUIVALENT) FEMALE HOUSING MOLEX P/N: 09-52-4064 (OR EQUIVALENT)

