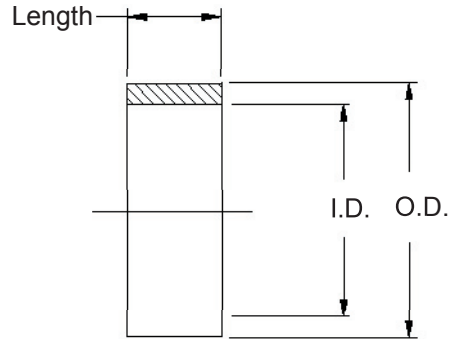


469-001
Shield Support Ring for Use with
G-Spring Backshells



460

**For use with
Series 460 and
463 G-Spring
Backshells**



469-001-22
Basic Part No. _____
Dash No. _____

Dash No.	I.D. ± .010 (.3)	O.D. ± .010 (.3)	Length (Note 2)
01	.187 (4.7)	.227 (5.8)	.50 (12.7)
02	.218 (5.5)	.258 (6.6)	.50 (12.7)
03	.250 (6.4)	.290 (7.4)	.50 (12.7)
04	.281 (7.1)	.321 (8.2)	.50 (12.7)
05	.312 (7.9)	.352 (8.9)	.50 (12.7)
06	.343 (8.7)	.383 (9.7)	.50 (12.7)
07	.375 (9.5)	.415 (10.5)	.50 (12.7)
08	.406 (10.3)	.446 (11.3)	.50 (12.7)
09	.438 (11.1)	.478 (12.1)	.50 (12.7)
10	.468 (11.9)	.508 (12.9)	.50 (12.7)
11	.500 (12.7)	.540 (13.7)	.50 (12.7)
12	.531 (13.5)	.571 (14.5)	.50 (12.7)
13	.562 (14.3)	.602 (15.3)	.50 (12.7)
14	.593 (15.1)	.633 (16.1)	.50 (12.7)
15	.625 (15.9)	.665 (16.9)	.50 (12.7)
16	.656 (16.7)	.696 (17.7)	.50 (12.7)
17	.687 (17.4)	.727 (18.5)	.50 (12.7)
18	.718 (18.2)	.758 (19.3)	.50 (12.7)
19	.750 (19.1)	.790 (20.1)	.75 (19.1)
20	.781 (19.8)	.821 (20.9)	.75 (19.1)
21	.812 (20.6)	.852 (21.6)	.75 (19.1)
22	.843 (21.4)	.883 (22.4)	.75 (19.1)
23	.875 (22.2)	.915 (23.2)	.75 (19.1)
24	.906 (23.0)	.946 (24.0)	.75 (19.1)
25	.937 (23.8)	.977 (24.8)	.75 (19.1)
26	.968 (24.6)	1.008 (25.6)	.75 (19.1)
27	1.000 (25.4)	1.040 (26.4)	.75 (19.1)

Dash No.	I.D. ± .010 (.3)	O.D. ± .010 (.3)	Length (Note 2)
28	1.031 (26.2)	1.071 (27.2)	.75 (19.1)
29	1.062 (27.0)	1.102 (28.0)	.75 (19.1)
30	1.093 (27.8)	1.133 (28.8)	.75 (19.1)
31	1.125 (28.6)	1.165 (29.6)	.75 (19.1)
32	1.156 (29.4)	1.196 (30.4)	.75 (19.1)
33	1.187 (30.1)	1.227 (31.2)	.75 (19.1)
34	1.218 (30.9)	1.258 (32.0)	.75 (19.1)
35	1.250 (31.8)	1.290 (32.8)	.75 (19.1)
36	1.281 (32.5)	1.321 (33.6)	.75 (19.1)
37	1.312 (33.3)	1.352 (34.3)	1.00 (25.4)
38	1.343 (34.1)	1.383 (35.1)	1.00 (25.4)
39	1.375 (34.9)	1.415 (35.9)	1.00 (25.4)
40	1.406 (35.7)	1.446 (36.7)	1.00 (25.4)
41	1.437 (36.5)	1.477 (37.5)	1.00 (25.4)
42	1.468 (37.3)	1.508 (38.3)	1.00 (25.4)
43	1.500 (38.1)	1.540 (39.1)	1.00 (25.4)
44	1.531 (38.9)	1.571 (39.9)	1.00 (25.4)
45	1.562 (39.7)	1.602 (40.7)	1.00 (25.4)
46	1.593 (40.5)	1.633 (41.5)	1.00 (25.4)
47	1.625 (41.3)	1.665 (42.3)	1.00 (25.4)
48	1.656 (42.1)	1.696 (43.1)	1.00 (25.4)
49	1.687 (42.8)	1.727 (43.9)	1.00 (25.4)
50	1.718 (43.6)	1.758 (44.7)	1.00 (25.4)
51	1.750 (44.5)	1.790 (45.5)	1.00 (25.4)
52	1.781 (45.2)	1.821 (46.3)	1.00 (25.4)
53	1.812 (46.0)	1.852 (47.0)	1.00 (25.4)
54	1.843 (46.8)	1.883 (47.8)	1.00 (25.4)

1. Finish : Clear Anodize
2. Consult factory for other available lengths.
3. Metric dimensions (mm) are indicated in parentheses.