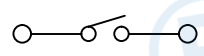
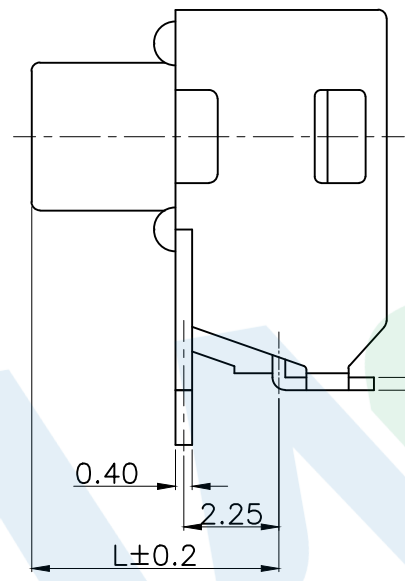
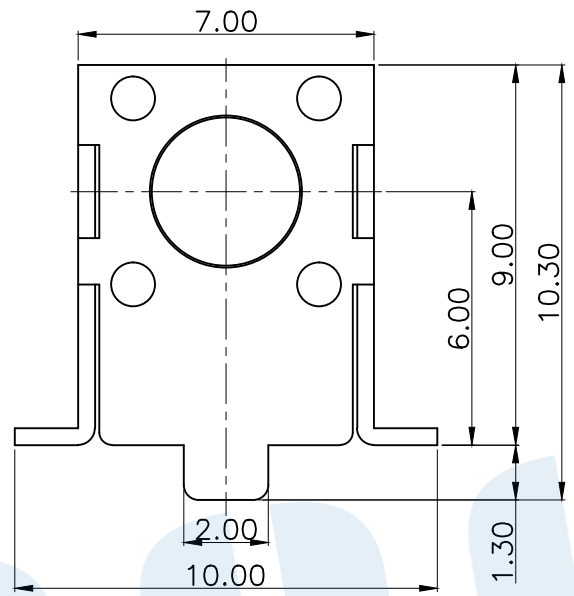


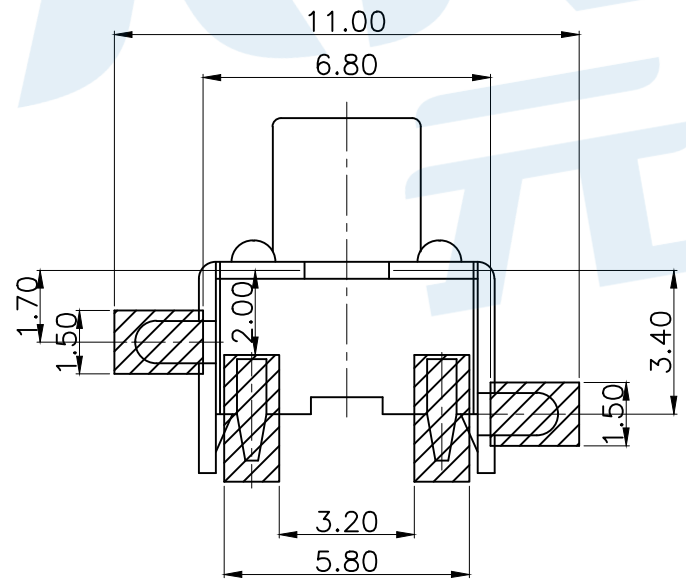
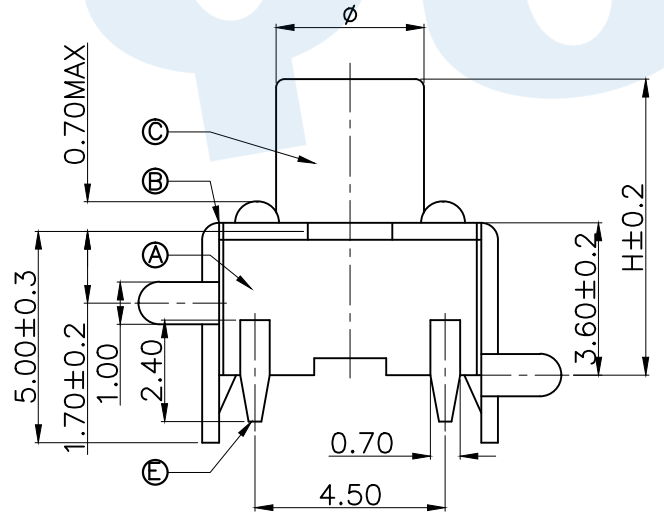
RoHS



Circuit Diagram

| OPERATING FORCE | |
|-----------------|----------|
| CODE | VIGOR |
| B1 | 120±30gf |
| B2 | 180±30gf |
| B3 | 250±30gf |

| SHRAPNEL | |
|----------|--------------|
| CODE | MATERIAL/QTY |
| D1 | C5210/1PCS |
| D2 | SUS/1PCS |



| TOTAL HEIGHT | | | | | | | |
|--------------|-----|-----|------|------|-----|-----|-------|
| CODE | H | φ | L | CODE | H | φ | L |
| A1 | 4.3 | 3.5 | 3.15 | A11 | 9.0 | 3.1 | 7.85 |
| A2 | 4.5 | 3.5 | 3.35 | A12 | 9.5 | 3.1 | 8.35 |
| A3 | 5.0 | 3.5 | 3.85 | A13 | 10 | 3.1 | 8.85 |
| A4 | 5.5 | 3.5 | 4.35 | A14 | 11 | 3.0 | 9.85 |
| A5 | 6.0 | 3.5 | 4.85 | A15 | 12 | 3.0 | 10.85 |
| A6 | 6.5 | 3.3 | 5.35 | A16 | 13 | 3.0 | 11.85 |
| A7 | 7.0 | 3.3 | 5.85 | A17 | 14 | 3.0 | 12.85 |
| A8 | 7.5 | 3.3 | 6.35 | A18 | 15 | 3.0 | 13.85 |
| A9 | 8.0 | 3.3 | 6.85 | A19 | 16 | 3.0 | 14.85 |
| A10 | 8.5 | 3.3 | 7.35 | A20 | 17 | 3.0 | 15.85 |

PCB Layout(Pattern side)

| NO. | Name | Number | Qty | Materil | Remarks |
|-----|----------|--------|-----|---------|----------------|
| Ⓔ | Terminal | | 2 | Brass | Silvering |
| Ⓓ | Reed | | 1 | SUS | Silver covered |
| Ⓒ | Button | | 1 | PPA | Black |
| Ⓑ | Cover | | 1 | SPCC | Nickel plating |
| Ⓐ | Base | | 1 | PPA | Black |

YUANDI® Yuandi Electronics Co, Ltd

| | | | |
|----------|------|-------|-----------------|
| design | date | name | TACT SWITCHS |
| Review | date | model | TS-1034-A□B□-D□ |
| Approved | date | | |

| | | | | | | | |
|-------|-------|------------|-----|------|----|-------------|----|
| angle | ±2' | Proportion | 1:1 | unit | mm | gape number | A4 |
| 10~30 | ±0.30 | | | | | | |
| 5~10 | ±0.20 | | | | | | |
| ~ 5 | ±0.10 | | | | | | |

modify Review Approved Tolerance not specified