



SMP Male Hermetically Sealed Connector Solder Attachment Thru Hole PCB, Up To 8 GHz

TECHNICAL DATA SHEET

PE44780

**SMP Male Hermetically Sealed Connector Solder Attachment Thru Hole PCB, Up To 8 GHz**

**Configuration**

Connector	SMP Male
Connector Specification	MIL-STD-348A
Connector Interface Type	Thru Hole
Cable Attachment Method (Shield/Contact)	Solder
Body Style	Straight
Isolated Ground / Hermetic	Hermetically Sealed

**Electrical Specifications**

Frequency Range, GHz	DC to 8
Impedance, Ohms	50
Maximum VSWR	1.1:1

**Mechanical Specifications**

**Temperature**

Operating Range, deg C	-55 to +155
------------------------	-------------

**Size**

Length, in [mm]	0.192 [4.88]
-----------------	--------------

**Connector**

Type	SMP Male
Contact Material and Plating	Kovar, Gold
Body Material and Plating	Kovar, Gold
Dielectric Type	Glass

**Compliance Certifications** (visit [www.Pasternack.com](http://www.Pasternack.com) for current document)

RoHS Compliant	Yes
----------------	-----

Click the following link (or enter part number in "SEARCH" on website) to obtain additional part information including price, inventory and certifications: [SMP Male Hermetically Sealed Connector Solder Attachment Thru Hole PCB, Up To 8 GHz PE44780](#)

The information contained in this document is accurate to the best of our knowledge and representative of the part described herein. It may be necessary to make modifications to the part and/or the documentation of the part, in order to implement improvements. Pasternack reserves the right to make such changes as required. Unless otherwise stated, all specifications are nominal.





SMP Male Hermetically Sealed Connector Solder  
Attachment Thru Hole PCB, Up To 8 GHz

TECHNICAL DATA SHEET

PE44780

**Plotted and Other Data**

Notes:

Values at 25 °C, sea level

SMP Male Hermetically Sealed Connector Solder Attachment Thru Hole PCB, Up To 8 GHz from Pasternack Enterprises has same day shipment for domestic and International orders. Our RF, microwave and fiber optic products maintain a 99% availability and are part of the broadest selection in the industry.

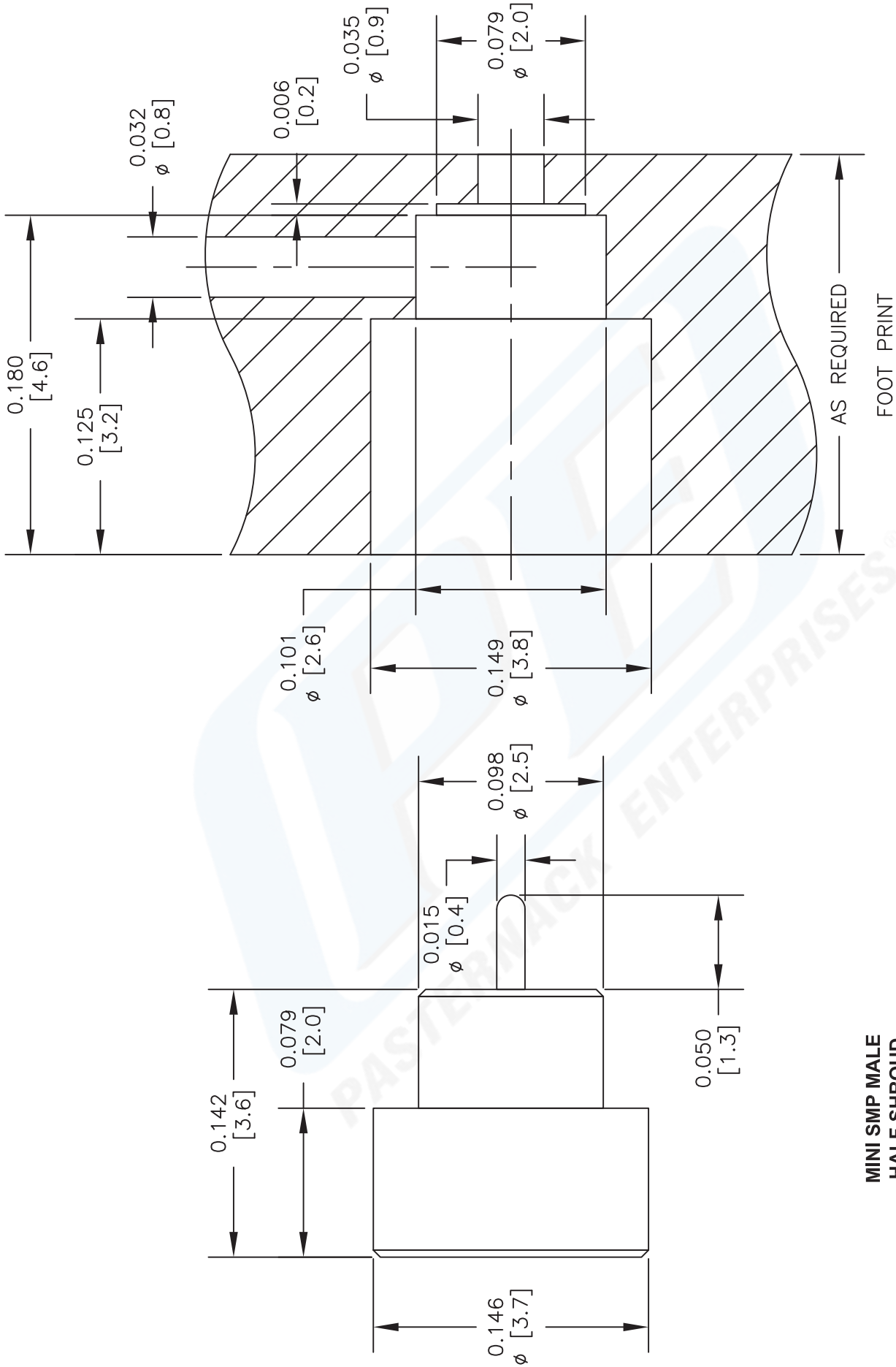
Click the following link (or enter part number in "SEARCH" on website) to obtain additional part information including price, inventory and certifications: [SMP Male Hermetically Sealed Connector Solder Attachment Thru Hole PCB, Up To 8 GHz PE44780](http://www.pasternack.com/smp-male-standard-thru-hole-pcb-connector-pe44780-p.aspx)

URL: <http://www.pasternack.com/smp-male-standard-thru-hole-pcb-connector-pe44780-p.aspx>

The information contained in this document is accurate to the best of our knowledge and representative of the part described herein. It may be necessary to make modifications to the part and/or the documentation of the part, in order to implement improvements. Pasternack reserves the right to make such changes as required. Unless otherwise stated, all specifications are nominal.

# PE44780 CAD Drawing

SMP Male Hermetically Sealed Connector Solder  
Attachment Thru Hole PCB, Up To 8 GHz



MINI SMP MALE  
HALF SHROUD



Pasternack Enterprises, Inc.  
P.O. Box 16759 | Irvine | CA | 92623  
Phone: (949) 261-1920 | Fax: (949) 261-7451  
Website: [www.pasternack.com](http://www.pasternack.com) | E-Mail: [sales@pasternack.com](mailto:sales@pasternack.com)

DWG TITLE

**PE44780**

FSCM NO. 53919

NOTES:  
1. UNLESS OTHERWISE SPECIFIED ALL DIMENSIONS ARE NOMINAL.  
2. ALL SPECIFICATIONS ARE SUBJECT TO CHANGE WITHOUT NOTICE AT ANY TIME.  
3. DIMENSIONS ARE IN INCHES [mm].

CAD FILE 031113

SCALE N/A

SIZE A

2233