

# 922, 923 & 924 Midget Flanged Incandescent Lampholders

### Overview

The 922, 923 and 924 Series are relampable midget flanged base lampholders. The mating lens cap accepts a T-1 3/4 midget flanged base incandescent lamp, held in the lens assembly by means of a friction fit which insures good contact and prevents the lamp from falling out when the lens is removed. A Littelites Lens Cap Assembly must be used with the holder to hold the lamp in proper relationship to the socket contact.

### Approvals

UL Recognized and CSA Certified.

### Specifications

**Housing:** Brass. Black nickel finish standard. Bright nickel or chrome finish optional.

**Internal Tooth Lockwasher:** Nickel-plated finish.

**Hex Nut:** Brass. 922 and 923 Series: Bright nickel finish. 924 Series: Same finish as housing finish.

**Terminals:** Brass. Tin-plated with elongated slot (3/64" x 3/32"). Tapered to accept a quick-connect receptacle. Center contact marked +.

**Socket:** Brass. Bright nickel-plated.

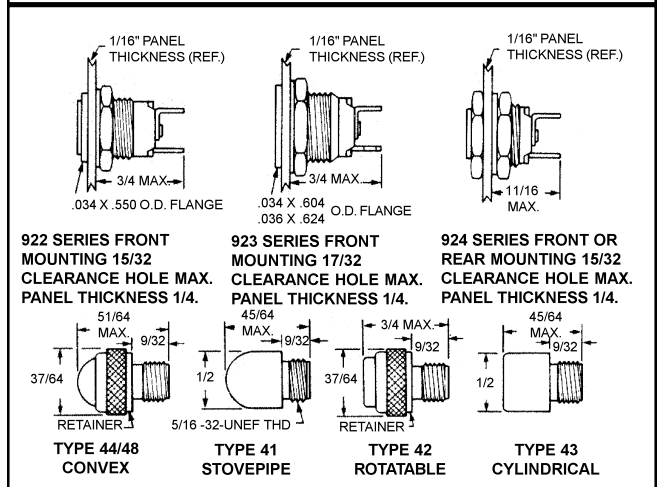
**Lens:** Heat resistant, high strength polycarbonate.

**Lens Marking:** Flat rotatable lenses may be stamped. Contact factory.

**Lens Barrel:** Brass. Nickel-plated.

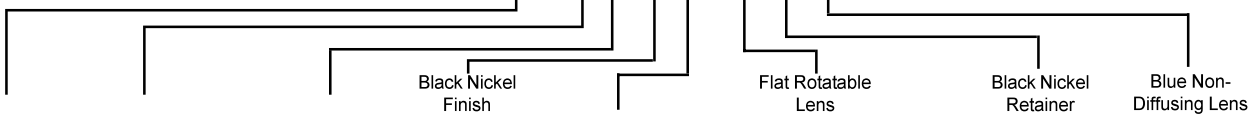
**Lens Retainer:** Brass. Black nickel finish. Bright nickel or chrome finish optional.

**922, 923, 924 Series Max. Rating:** 1.12 Watts, 28 Volts.



### ORDERING INFORMATION:

**EXAMPLE: 9 2 2 4 0 4 X 42 4 BN**



Series Number	Lampholders				Lens Cap Assembly		
	Termination	Features	Finish	Resistor	Lens Style	Retainer	Lens Color
922	4 Solder Lug Terminals	0 None	4 Black Nickel Standard	X None	41 Stovepipe	0 <sup>2</sup> No Retainer	AN Amber
923			5 Bright Nickel		42 <sup>1</sup> Flat Rotatable		4 Black Nickel Finish (Standard)
924			7 Chrome		43 Cylindrical	44 Convex - Nondiffusing Colors Only	
					48 Convex - Diffusing Colors Only	7 Chrome Finish	WN White
							YN Yellow
							<b>Translucent</b>
							AT Amber
							BT Blue
							GT Green
							RT Red
							WT White
							YT Yellow
							<b>Diffusing</b>
							AD Amber
							BD Blue
							CD Colorless
							GD Green
							RD Red
							YD Yellow

<sup>1</sup> See back page of Littelite section for Lampholder/Resistor Selection.

<sup>2</sup> Use with type 3 finish on lampholder.