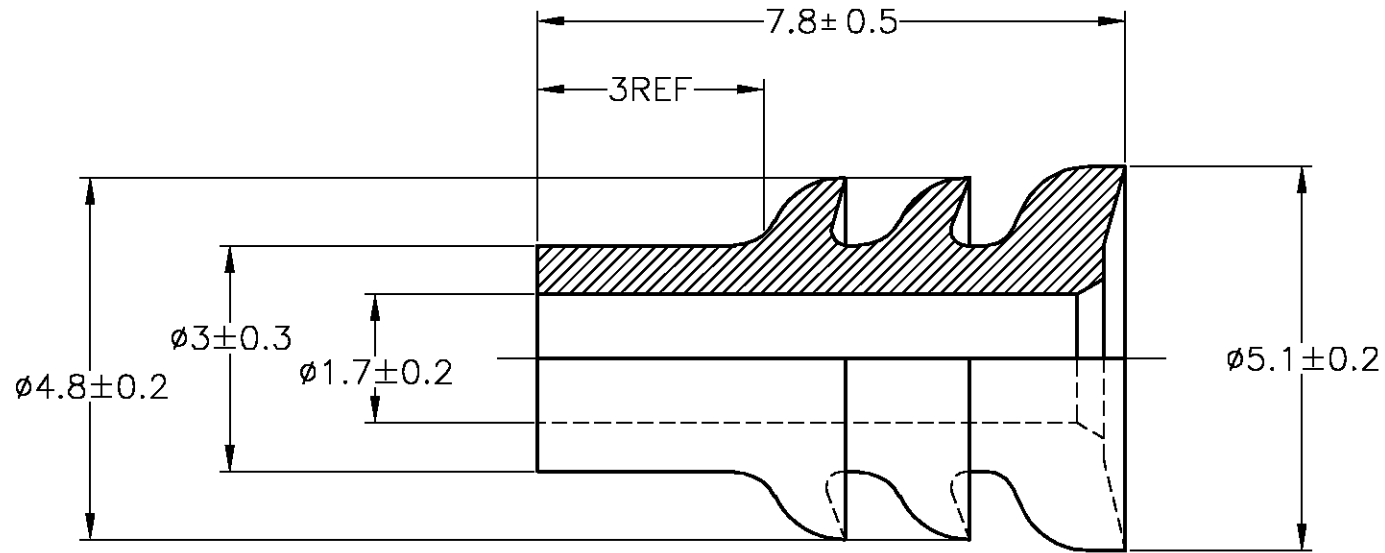


THIS DRAWING IS UNPUBLISHED.

RELEASED FOR PUBLICATION

© COPYRIGHT BY TYCO ELECTRONICS CORPORATION. ALL RIGHTS RESERVED.

LOC J	DIST —	REVISIONS 変更					
		P	LTR	DESCRIPTION	DATE	DWN	APVD
		C1	REVISED	ECR-06-001254	11MAY06	TS	KB



△ OIL COATED TYPE

△ オイル塗布タイプ

NBR	灰色 (GRAY)	9-172888-2
Si	べんがら色 (BROWN)	1-172888-3
NBR	緑色 (GREEN)	172888-3
NBR △	灰色 (GRAY)	172888-2
SEE DRAWING 172888-1		172888-1
MATERIAL	COLOR	PART NUMBER

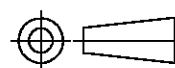
WIRE RANGE
0.5~1.25mm²
(AWG#20-#16)

INSULATION DIA.
2~2.6mmφ

THIS DRAWING IS A CONTROLLED DOCUMENT.

DIMENSIONS:
単位: 耗
mm

TOLERANCES UNLESS
OTHERWISE SPECIFIED:
一般公差



0	PLC	±	—
1	PLC	±	—
2	PLC	±	—
3	PLC	±	—
4	PLC	±	—
ANGLES		±	

MATERIAL
材料
SEE TABLE

FINISH
仕上

DWN	T.SHINOHARA	11MAY06
CHK	K.BETSUI	11MAY06
APVD	K.BETSUI	11MAY06
PRODUCT SPEC	製品規格	
APPLICATION SPEC	取付適用規格	
WEIGHT	—	

tyco Tyco Electronics AMP K.K.
Electronics Kawasaki, Japan

NAME
名称
070 TYPE RUBBER PLUG

SIZE	CAGE CODE	DRAWING NO 番号	RESTRICTED TO
A3	00779	C-172888	—

CUSTOMER DRAWING

SCALE
尺度 10:1

SHEET
1 OF 1

REV
C1