

Rocker Switches

Micro Snap-In Nylon



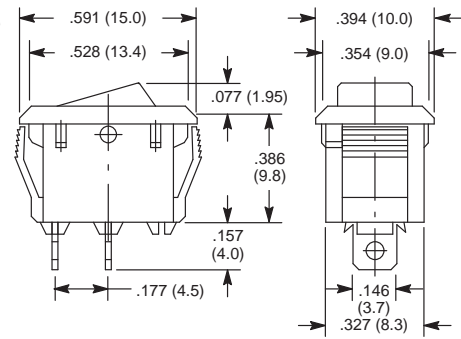
Features

- Fits Standard Panel Cutout
- RoHS Compliant



NTE Type No.	Circuitry	Action			Actuator	Legend	Diag No.
54-870	SPST	ON	NONE	OFF	White Nylon	Yes	S108
54-872	SPST	ON	NONE	OFF	Black Nylon	Yes	S108
54-874	SPST	ON	NONE	OFF	Red Nylon	No	S108

S108



Mounting Hole

Panel Thickness	Y
.029 (.750) - .049 (1.25)	.535 (13.6)
.049 (1.25) - .079 (2.00)	.539 (13.7)
.079 (2.00) - .098 (2.50)	.543 (13.8)

Mounting Hole Dimensions: .362 (9.2)

Specifications

Current Rating: 6A 125VAC, 3A 250VAC, 3A 250VAC T100/55
Insulation Resistance: 100 Megohms (min.) at 500VDC
Dielectric Strength: 1000V RMS (min.) for 1 minute
Temperature Rating: +32° to +212°F (0° to +100°C)
Electrical Life: 10,000 cycles
Mechanical Life: 50,000 cycles
Terminal Type: Solder Lug
Mounting Hole: See Table 1.

Miniature Snap-In Nylon



Features

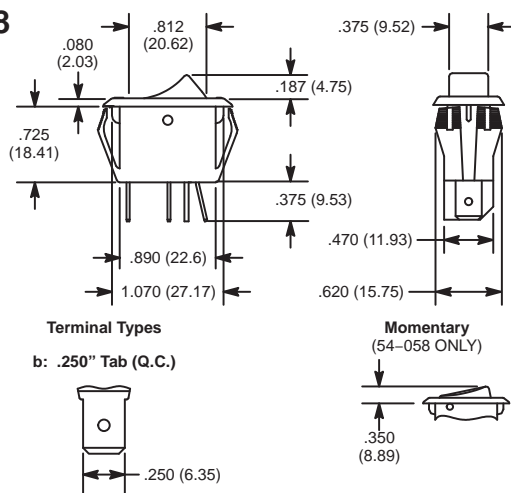
- Fits Standard Panel Cutout



NTE Type No.	Circuitry	Action			Actuator		Diag No.
					Material	Color	
54-058*	SPST	OFF	NONE	(ON)	Polyester or Nylon	White	S18b
54-059**	SPST	OFF	NONE	ON		Black	S18b
54-060	SPST	OFF	NONE	ON		Black	S18b
54-061	SPDT	ON	NONE	ON		Black	S18b
54-062**	SPST	OFF	NONE	ON		Black	S18b
54-063	SPDT	ON	OFF	ON		Black	S18b

SPECIAL NOTE: () = Momentary Function
 * Momentary Rocker Style White Actuator
 ** Two Color Visi-Red Visi-Rocker Style Actuator

S18



Specifications

Current Rating: 16A 125VAC, 10A 250VAC, 3/4 HP 125-250VAC
 10(4)A 250VAC μ T85
(54-058 Only) 12A 125VAC, 8A 250VAC, 1/2 HP 125-250VAC
Insulation Resistance: 100 Megohms (min.)
Dielectric Strength: 1000V RMS (min.)
Temperature Rating: +32° to +185°F (0° to +85°C)
Electrical Life: 100,000 cycles
Mechanical Life: 100,000 cycles
Terminal Type: .250" Tab Q.C.
Mounting Hole: 1.125 (28.58) x .550 (13.97)

Rocker Switches

Miniature Snap-In Nylon

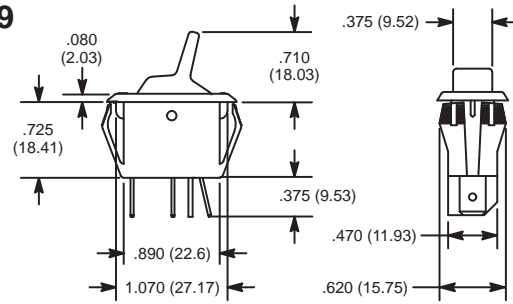
Features

- Fits Standard Panel Cutout



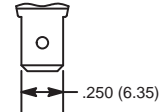
NTE Type No.	Circuitry	Action			Actuator		Diag No.
		OFF	NONE	ON	Material	Color	
54-102	SPST	OFF	NONE	ON	Polyester or Nylon	Black	S19b

S19



Terminal Types

b: .250" Tab (Q.C.)



Specifications

Current Rating: 16A 125VAC, 10A 250VAC, 10(4)A 250VAC T85
Insulation Resistance: 100 Megohms (min.)
Dielectric Strength: 1000V RMS (min.)
Temperature Rating: +32° to +185°F (0° to +85°C)
Electrical Life: 100,000 cycles
Mechanical Life: 100,000 cycles
Terminal Type: .250" Tab Q.C.
Mounting Hole: 1.125 (28.58) x .550 (13.97)

Miniature Snap-In Nylon

Features

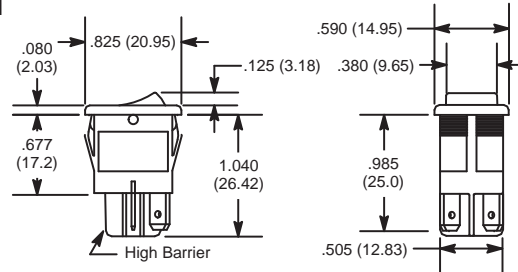
- Single & Double Pole Types
- Double Insulated
- High Barrier Type



NTE Type No.	Circuitry	Action			Actuator		Diag No.
		ON	NONE	OFF	Material	Color	
54-074	SPDT	ON	NONE	ON	Nylon	Black	S21b
54-075	SPST	ON	NONE	OFF	Nylon	Black	S21b
54-075-L1	SPST	ON	NONE	OFF	Nylon	Black	S21b
54-076	DPST	ON	NONE	OFF	Nylon	Black	S21b
54-077	SPDT	ON	NONE	ON	Nylon	Black	S21b

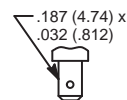
NOTE: 54-074-L1 contains ON-OFF legend

S21



Terminal Types

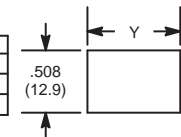
b: .187" Tab (Q.C.)



Mounting Hole

Table 1.

Panel Thickness	Y
.030 (.762) - .060 (1.52)	.756 (19.20)
.060 (1.52) - .093 (2.36)	.764 (19.40)
.093 (2.36) - .156 (3.96)	.780 (19.81)



Specifications

Current Rating: 8A 125VAC, 4A 250VAC,
Current Rating: 12A 125VAC, 6A 250VAC (54-075-L1 ONLY),
 Inductive 6(4)A 250VAC T85**
Insulation Resistance: 100 Megohms (min.)
Dielectric Strength: 1000V RMS (min.)
Temperature Rating: +32° to +185°F (0° to +85°C)
Electrical Life: 50,000 cycles
Mechanical Life: 100,000 cycles
Terminal Type: .187" Tab Q.C.
Mounting Hole: See Table 1

** 54-075, 54-076, 54-077 ONLY

Rocker Switches

Miniature Snap-In Nylon

Features

- .250" Quick Connect Terminals
- Fits Standard Panel Cutout
- Withstand Peak Inrush to 100 Amps



NTE Type No.	Circuitry	Action			Actuator		Diag No.
					Material	Color	
54-081	DPST	OFF	NONE	ON	Nylon	Black	S20b

Snap-In Nylon

Features

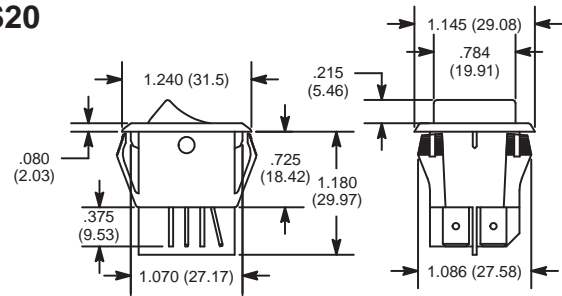
- AC Rated, Also Suitable for Low Voltage DC Applications



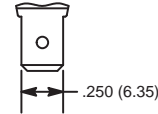
NTE Type No.	Circuitry	Action			Actuator		Diag No.
					Material	Color	
54-047	SPST	ON	NONE	OFF	Nylon	Black	S15b
54-048	SPDT	ON	NONE	ON	Nylon	Black	S15b
54-049	SPDT	ON	OFF	ON	Nylon	Black	S15b
54-050	DPST	ON	NONE	OFF	Nylon	Black	S15b
54-051	DPDT	ON	NONE	ON	Nylon	Black	S15b
54-052	DPDT	ON	OFF	ON	Nylon	Black	S15b
54-114	DPST	(ON)	NONE	OFF	Nylon	Black	S15b
54-115	DPST	ON	NONE	(OFF)	Nylon	Black	S15b
54-116	DPDT	ON	NONE	(ON)	Nylon	Black	S15b
54-117	DPDT	ON	OFF	(ON)	Nylon	Black	S15b
54-118	DPDT	(ON)	OFF	(ON)	Nylon	Black	S15b

SPECIAL NOTE: () = Momentary Function

S20



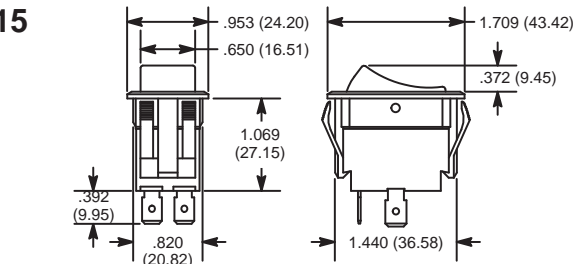
Terminal Types
b: .250" Tab (Q.C.)



Specifications

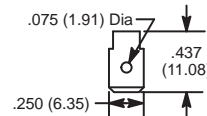
Current Rating: 20A 125VAC, 15A 250VAC, 3/4 HP 125-250VAC
Insulation Resistance: 100 Megohms (min.)
Dielectric Strength: 1000V RMS (min.)
Temperature Rating: -40° to +185°F (-40° to +85°C)
Electrical Life: 50,000 cycles
Mechanical Life: 100,000 cycles
Terminal Type: .250" Tab Q.C.
Mounting Hole: 1.125 (28.58) x 1.000 (25.4)

S15

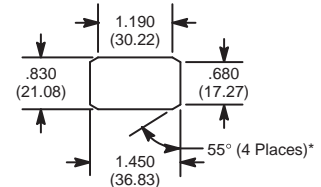


Terminal Types

b: .250" Tab (Q.C.)



Mounting Hole



* Angled corners are suggested for optimum fit. Standard rectangular cutout is acceptable

Specifications

Current Rating: 15A 125VAC, 10A 250VAC, 3/4 HP 125-250VAC
Insulation Resistance: 100 Megohms (min.)
Dielectric Strength: 1000V RMS (min.)
Temperature Rating: +32° to +185°F (0° to +85°C)
Electrical Life: 50,000 cycles
Mechanical Life: 100,000 cycles (min.)
Terminal Type: .250" Tab Q.C.
Mounting Hole: 1.450 (36.83) x .830 (21.08)

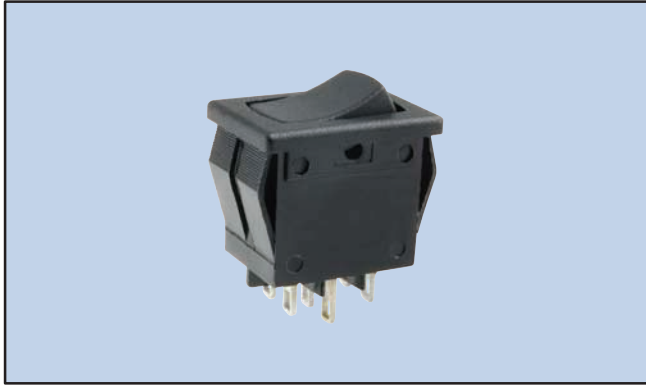
Rocker Switches

Snap-In Nylon



Features

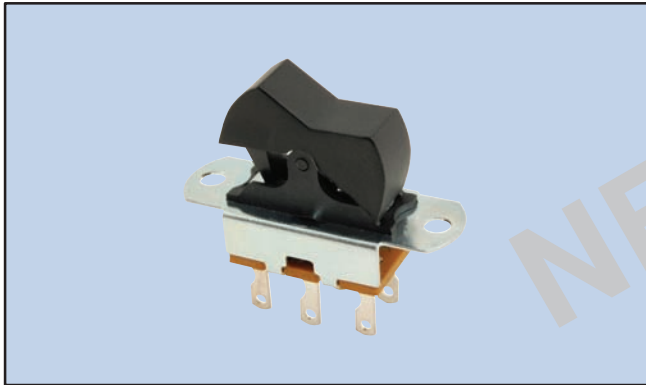
- Double Pole Types
- Double Insulated



NTE Type No.	Circuitry	Action			Actuator		Diag No.
					Material	Color	
54-073	DPDT	ON	NONE	ON	Nylon	Black	S22a
54-078	DPDT	ON	NONE	(ON)	Nylon	Black	S22a
54-079	DPDT	ON	OFF	ON	Nylon	Black	S22a

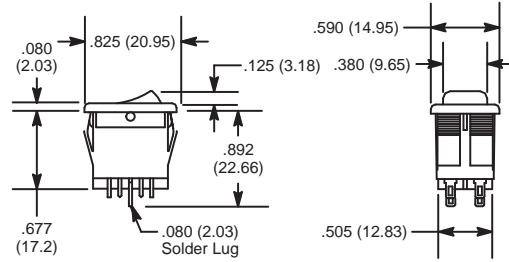
SPECIAL NOTE: () = Momentary Function

Screw Mount



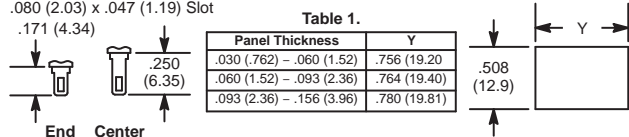
NTE Type No.	Circuitry	Action			Actuator	Legend	Diag No.
54-742	DPDT	ON	NONE	ON	Nylon 66	No	S147

S22



Terminal Types
 a: .080" Solder Lug
 .080 (2.03) x .047 (1.19) Slot
 .171 (4.34)

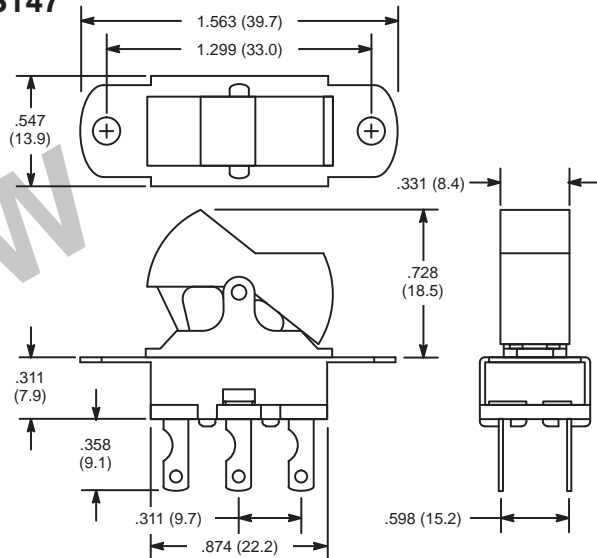
Mounting Hole



Specifications

- Current Rating:** 8A 125VAC, 4A 250VAC
- Insulation Resistance:** 100 Megohms (min.)
- Dielectric Strength:** 1000V RMS (min.)
- Temperature Rating:** +32° to +185°F (0° to +85°C)
- Electrical Life:** 50,000 cycles
- Mechanical Life:** 100,000 cycles
- Terminal Type:** .080" Solder Lug
- Mounting Hole:** See Table 1

S147



Specifications

- Current Rating:** 4A 125VAC, 1.5A 250VAC
- Insulation Resistance:** 100 Megohms (min.) at 500VDC
- Dielectric Strength:** 1000V RMS (min.)
- Temperature Rating:** -13° to +185°F (-25° to +85°C)
- Electrical Life:** 6,000 cycles
- Mechanical Life:** 10,000 cycles
- Terminal Type:** Solder Lug
- Mounting Hole:** .965 (24.5) x .362 (9.2)