

PLEASE CHECK WWW.MOLEX.COM FOR LATEST PART INFORMATION

Part Number: [0716612030](#)
Status: **Active**
Overview: [ebbi_50d](#)
Description: 1.27mm (.050") Pitch EBBI™ 50D Plug, Right Angle, 30 Circuits, 2.79mm (.110") PC Tail Length

Documents:

[3D Model](#) [Product Specification PS-71660 \(PDF\)](#)
[Drawing \(PDF\)](#) [RoHS Certificate of Compliance \(PDF\)](#)

Agency Certification

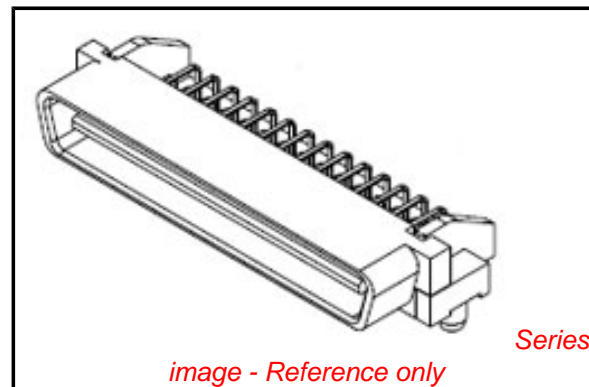
CSA LR19980
 UL E29179

General

Product Family PCB Headers
 Series [71661](#)
 Application Board-to-Board, Wire-to-Board
 Overview [ebbi_50d](#)
 Product Name EBBI™

Physical

Breakaway No
 Circuits (Loaded) 30
 Circuits (maximum) 30
 Color - Resin Black
 Durability (mating cycles max) 2,000
 First Mate / Last Break No
 Flammability 94V-0
 Glow-Wire Compliant No
 Guide to Mating Part No
 Keying to Mating Part None
 Lock to Mating Part Yes
 Material - Metal Brass
 Material - Plating Mating Gold
 Material - Plating Termination Tin
 Material - Resin High Temperature Thermoplastic
 Number of Rows 4
 Orientation Right Angle
 PC Tail Length (in) 0.110 In
 PC Tail Length (mm) 2.79 mm
 PCB Locator Yes
 PCB Retention Yes
 PCB Thickness Recommended (in) 0.062 In
 PCB Thickness Recommended (mm) 1.60 mm
 Packaging Type Tray
 Pitch - Mating Interface (in) 0.050 In
 Pitch - Mating Interface (mm) 1.27 mm
 Pitch - Term. Interface (in) 0.050 In
 Pitch - Term. Interface (mm) 1.27 mm
 Plating min: Mating (µin) 30
 Plating min: Mating (µm) 0.75
 Plating min: Termination (µin) 50
 Plating min: Termination (µm) 1.25
 Polarized to Mating Part Yes
 Polarized to PCB Yes



EU RoHS

ELV and RoHS Compliant
REACH SVHC Contains SVHC: No
Halogen-Free Status

China RoHS



Need more information on product environmental compliance?

Email productcompliance@molex.com
 For a multiple part number RoHS Certificate of Compliance, [click here](#)

Please visit the [Contact Us](#) section for any non-product compliance questions.

Search Parts in this Series

[71661Series](#)

Mates With

EBBI™ 50D Receptacle [71660](#) , [87552](#)

Shrouded	Fully
Stackable	No
Surface Mount Compatible (SMC)	No
Temperature Range - Operating	-40°C to +105°C
Termination Interface: Style	Through Hole

Electrical

Current - Maximum per Contact	1A
Voltage - Maximum	30V

Solder Process Data

Lead-free Process Capability	SMC & Wave Capable (TH only)
Process Temperature max. C	235

Material Info

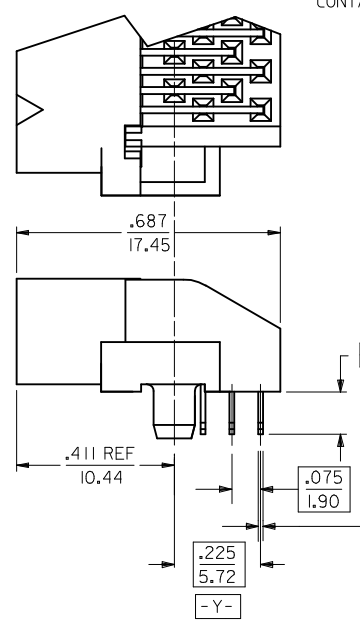
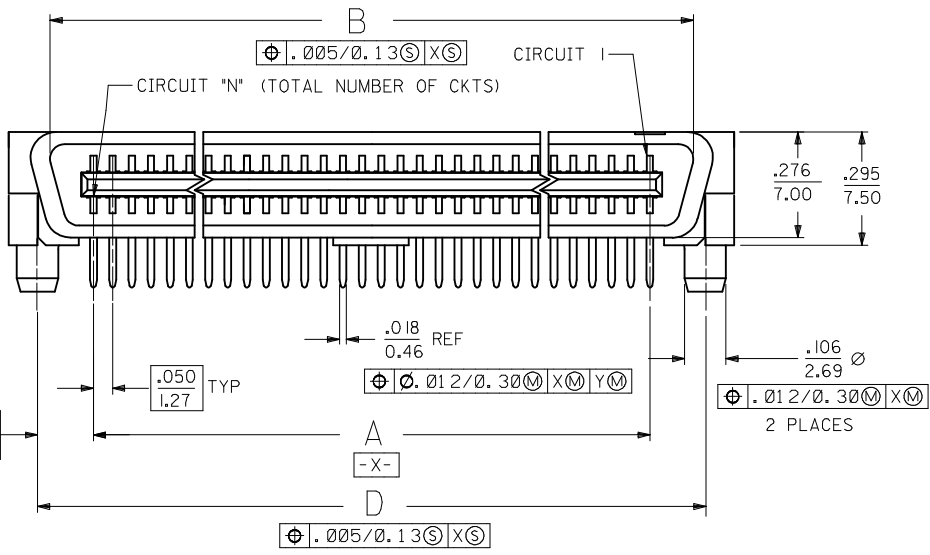
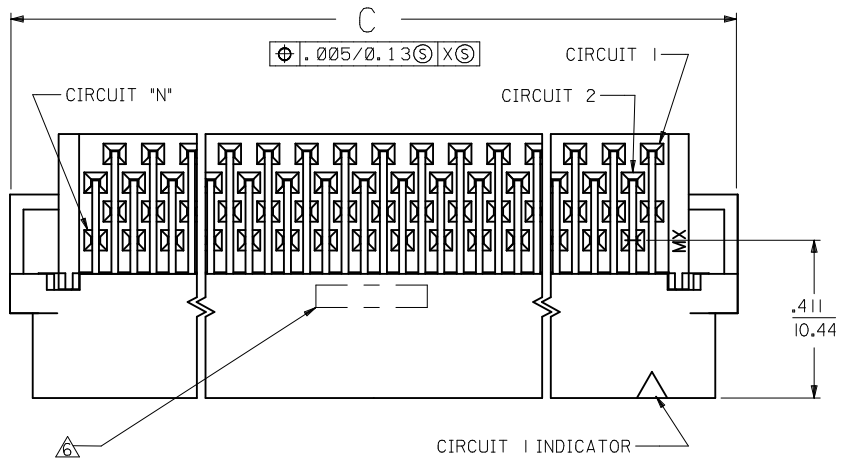
Reference - Drawing Numbers

Packaging Specification	PK-70873-084*
Product Specification	PS-71660
Sales Drawing	SDA-71661-2***

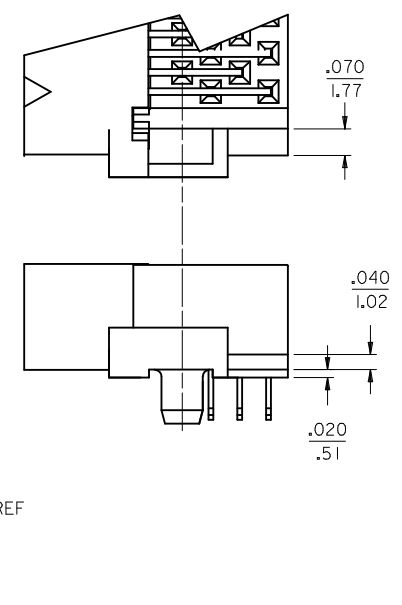
This document was generated on 05/31/2010

PLEASE CHECK WWW.MOLEX.COM FOR LATEST PART INFORMATION

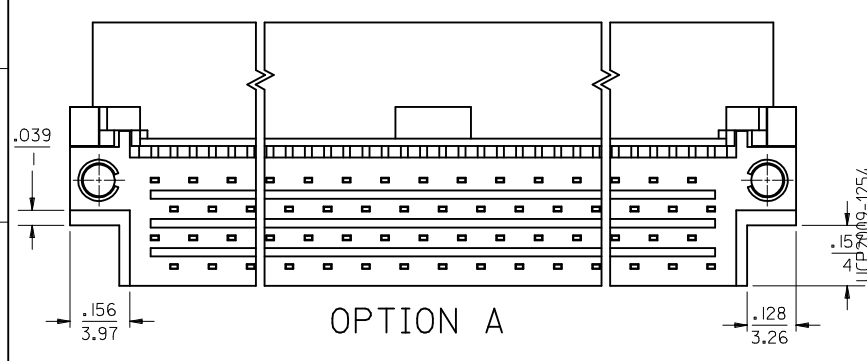
NOTES:
 1. MATERIAL:
 HOUSING: LIQUID CRYSTAL POLYMER (LCP), GLAS-FILLED, UL 94V-0,
 COLOR: BLASK
 TERMINALS: BRASS
 2. FINISH:
 TERMINAL: 0.76 MICROMETERS/30 MICROINCHES MINIMUM SELECTIVE GOLD
 IN CONTACT AREA, 1.27 MICROMETERS/50 MICROINCHES MINIMUM
 SELECTIVE TIN IN THE PC TAIL AREA; NICKEL UNDERPLATE OVERALL
 3. ASSEMBLY MATES WITH MOLEX P/N SDA-71660-****
 4. CONFORMS TO PRODUCT SPEC: PS-71660
 ⚠️ RECOMMENDED PC BOARD THICKNESS IS .062/1.60
 ⚠️ FOUR DIGIT DATE CODE (WK,YR) EXAMPLE 26 96 LOCATED IN AREA SHOWN
 ⚠️ TOOLING STATUS: "X" INDICATES NO TOOLING AVAILABLE
 CONTACT FACTORY FOR FURTHER INFORMATION



END DETAIL
 OPTION A
 (BOTH ENDS)



END DETAIL
 OPTION B
 (BOTH ENDS)



OPTION A

CHANGE MATERIAL	2008/12/19	DRWIN'S BARRA
EC NO:	2009/01/06	CHKD:BBARKER
REV	2009/01/06	APPR:SMILLER

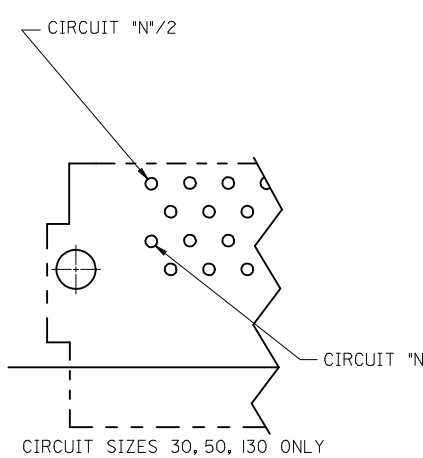
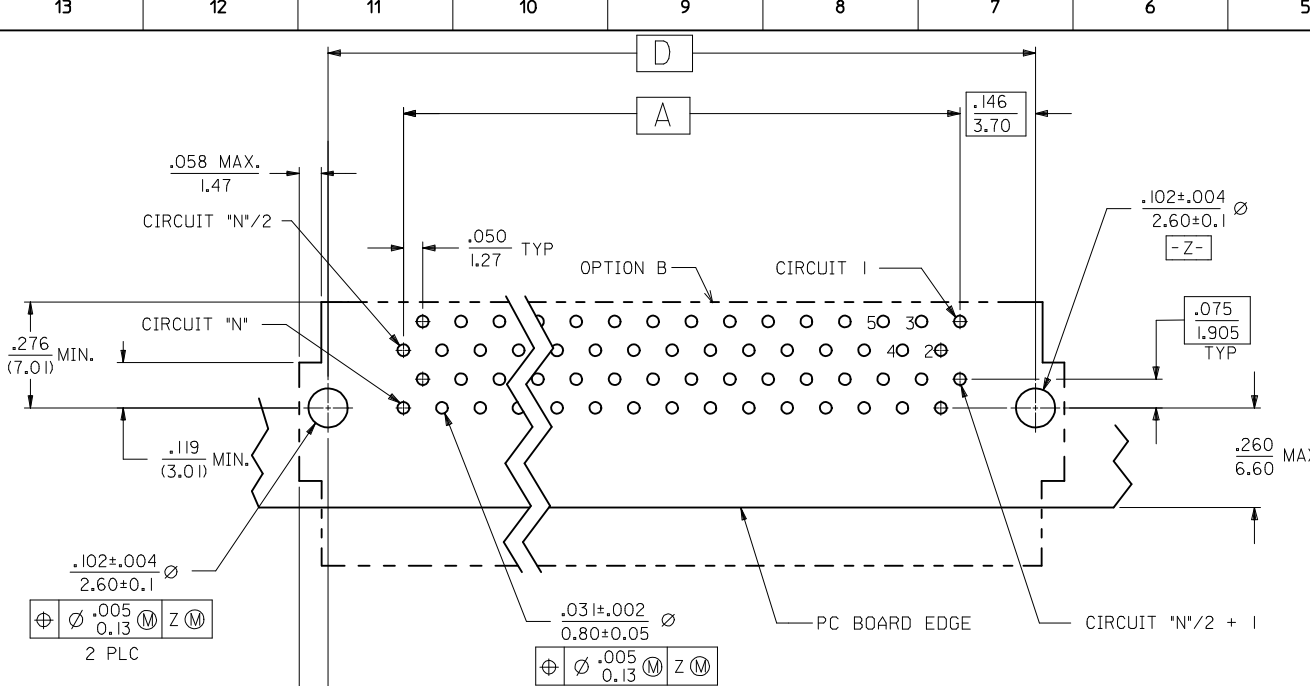
QUALITY SYMBOLS	DESCRIPTION
▽=0	
▽=0	

GENERAL TOLERANCES (UNLESS SPECIFIED)	DIMENSION STYLE IN/MM
4 PLACES ± --- ± ---	DRAWN BY DATE
3 PLACES ± --- ± .010	CHECKED BY DATE
2 PLACES ± 0.25 ± ---	RAN 1993/02/23
1 PLACE ± --- ± ---	APPROVED BY DATE
ANGULAR ± 1/2°	CAB 1993/02/23

SCALE 4:1	DESIGN UNITS INCH	THIRD ANGLE PROJECTION
SALES ASSEMBLY EBBI 50D RIGHT ANGLE PLUG CONNECTOR		
MOLEX INCORPORATED		SHEET NO. 1 OF 2
MATERIAL NO. SDA-71661-2***		
DOCUMENT NO.		

DRAFT WHERE APPLICABLE
 MUST REMAIN
 WITHIN DIMENSIONS

SEE TABLE
 THIS DRAWING CONTAINS INFORMATION THAT IS PROPRIETARY TO MOLEX
 INCORPORATED AND SHOULD NOT BE USED WITHOUT WRITTEN PERMISSION



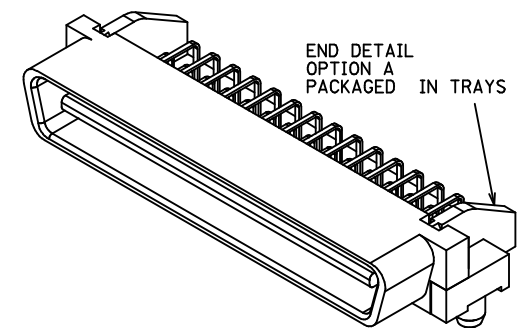
⊕ ∅ .005
0.13 M Z M
2 PLC

⊕ ∅ .005
0.13 M Z M

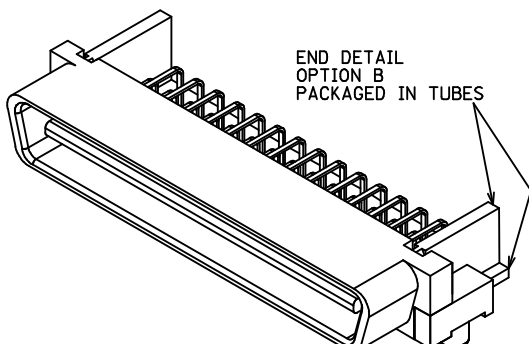
TRAY PACK
PER SPEC.
PK-70873-084*

END DETAIL
OPTION 'A'

RECOMMENDED PC BOARD LAYOUT
COMPONENT SIDE



50 CIRCUIT ASSEMBLY SHOWN



.125 (3.18)	3.491 (88.68)	3.642 (92.50)	3.426 (87.02)	3.200 (81.28)	130	71661-2430
	3.241 (82.33)	3.392 (86.15)	3.176 (80.67)	2.950 (74.93)	120	71661-2420
	2.741 (69.63)	2.892 (73.45)	2.676 (67.97)	2.450 (62.23)	100	71661-2400
	2.241 (56.93)	2.392 (60.75)	2.176 (55.27)	1.950 (49.53)	80	71661-2380
	1.941 (49.31)	2.092 (53.13)	1.875 (47.65)	1.650 (41.91)	68	71661-2368
	1.741 (44.23)	1.892 (48.05)	1.676 (42.57)	1.450 (36.83)	60	71661-2360
	1.491 (37.88)	1.642 (41.70)	1.426 (36.22)	1.200 (30.48)	50	71661-2350
	1.241 (31.53)	1.392 (35.35)	1.176 (29.87)	.950 (24.13)	40	71661-2340
	.991 (25.18)	1.142 (29.00)	.925 (23.52)	.700 (17.78)	30	71661-2330
	.110 (2.79)	3.491 (88.68)	3.642 (92.50)	3.426 (87.02)	3.200 (81.28)	130
3.241 (82.33)		3.392 (86.15)	3.176 (80.67)	2.950 (74.93)	120	71661-2120
2.741 (69.63)		2.892 (73.45)	2.676 (67.97)	2.450 (62.23)	100	71661-2100
2.241 (56.93)		2.392 (60.75)	2.176 (55.27)	1.950 (49.53)	80	71661-2080
1.941 (49.31)		2.092 (53.13)	1.875 (47.65)	1.650 (41.91)	68	71661-2068
1.741 (44.23)		1.892 (48.05)	1.676 (42.57)	1.450 (36.83)	60	71661-2060
1.491 (37.88)		1.642 (41.70)	1.426 (36.22)	1.200 (30.48)	50	71661-2050
1.241 (31.53)		1.392 (35.35)	1.176 (29.87)	.950 (24.13)	40	71661-2040
.991 (25.18)		1.142 (29.00)	.925 (23.52)	.700 (17.78)	30	71661-2030
E		D	C	B	A	CKT ('N')

CHANGE MATERIAL EC NO: UCP2009-1254 DRWINSI BARRA 2008/12/19 CHKD:BBARKER 2009/01/06 APPR:SMILLER 2009/01/06	DESCRIPTION	REV
		N

QUALITY SYMBOLS ▽=0 ▽=0	GENERAL TOLERANCES (UNLESS SPECIFIED) mm INCH 4 PLACES ± --- ± --- 3 PLACES ± --- ± .010 2 PLACES ± 0.25 ± --- 1 PLACE ± --- ± --- ANGULAR ± 1/2°
-------------------------------	---

DIMENSION STYLE IN/MM	SCALE 4:1
DRAWN BY RAN	DATE 1993/02/23
CHECKED BY RAN	DATE 1993/02/23
APPROVED BY CAB	DATE 1993/02/23
MATERIAL NO. SEE TABLE	DOCUMENT NO. SDA-71661-2***

DESIGN UNITS INCH	THIRD ANGLE PROJECTION
SALES ASSEMBLY EBBI 50D RIGHT ANGLE PLUG CONNECTOR	
MOLEX INCORPORATED	
SHEET NO. 2 OF 2	